

**MARYLAND METRICS presents these 'product highlights'
 for some of the Bearings and Mechanical Power
 transmission products that we offer.**

CAM FOLLOWERS
Inch

- Full Complement
- Black Oxide Finish
- Sealed



INTERCHANGE

Sealed with HEX HEAD

BL #	RBC	SMITH	CARTER	TORR / NSK/ CONS	IKO
CF 1/2SB	S16LW	CR-1/2-XB	CNB-16-SB	CRSB-8-1	CR 8-1 VBUU
CF 5/8SB	S20LW	CR-5/8-XB	CNB-20-SB	CRSB-10-1	CR 10-1 VBUU
CF 3/4SB	S24LW	CR-3/4-XB	CNB-24-SB	CRSB-12	CR 12 VBUU
CF 7/8SB	S28LW	CR-7/8-XB	CNB-28-SB	CRSB-14	CR 14 VBUU
CF 1SB	S32LW	CR-1-XB	CNB-32-SB	CRSB-16	CR 16 VBUU
CF 1 1/8SB	S36LW	CR-1 1/8-XB	CNB-36-SB	CRSB-18	CR 18 VBUU
CF 1 1/4SB	S40LW	CR-1 1/4-XB	CNB-40-SB	CRSB-20	
CF 1 3/8SB	S44LW	CR-1 3/8-XB	CNB-44-SB	CRSB-22	CR 22 VBUU
CF 1 1/2SB	S48LW	CR-1 1/2-XB	CNB-48-SB	CRSB-24	CR 24 VBUU
CF 1 5/8SB	S52LW	CR-1 5/8-XB	CNB-52-SB	CRSB-26	CR 26 VBUU
CF 1 3/4SB	S56LW	CR-1 3/4-XB	CNB-56-SB	CRSB-28	CR 28 VBUU
CF 1 7/8SB	S60LW	CR-1 7/8-XB	CNB-60-SB	CRSB-30	CR 30 VBUU
CF 2SB	S64LW	CR-2-XB	CNB-64-SB	CRSB-32	CR 32 VBUU
CF 2 1/4SB	S72LW	CR-2 1/4-XB	CNB-72-SB	CRSB-36	CR 36 VBUU
CF 2 1/2SB	S80LW	CR-2 1/2-XB	CNB-80-SB	CRSB-40	CR 40 VBUU
CF 2 3/4SB	S88LW	CR-2 3/4-XB	CNB-88-SB	CRSB-44	CR 44 VBUU
CF 3SB	S96LW	CR-3-XB	CNB-96-SB	CRSB-48	CR 48 VBUU
CF 3 1/4SB	S104LW	CR-3 1/4-XB	CNB-104-SB	CRSB-52	CR 52 VBUU
CF 3 1/2SB	S112LW	CR-3 1/2-XB	CNB-112-SB	CRSB-56	CR 56 VBUU
CF 4SB	S128LW	CR-4-XB	CNB-128-SB	CRSB-64	CR 64 VBUU
CF 5SB	S160LW	CR-5-XB	CNB-160-SB	CRSB-80	
CF 6SB	S192LW	CR-6-XB	CNB-192-SB	CRSB-96	
CF 7SB				CRSB-112	

Heavy - Sealed with HEX HEAD

BL #	RBC	SMITH	CARTER	TORR / NSK/ CONS	IKO
CFH 1/2SB	H16LW	HR-1/2-XB	CNBH-16-SB	CRHSB-8-1	CRH 8-1 VBUU
CFH 5/8SB	H20LW	HR-5/8-XB	CNBH-20-SB	CRHSB-10-1	CRH 10-1 VBUU
CFH 3/4SB	H24LW	HR-3/4-XB	CNBH-24-SB	CRHSB-12	CRH 12 VBUU
CFH 7/8SB	H28LW	HR-7/8-XB	CNBH-28-SB	CRHSB-14	CRH 14 VBUU
CFH 1SB	H32LW	HR-1-XB	CNBH-32-SB	CRHSB-16	CRH 16 VBUU
CFH 1 1/8SB	H36LW	HR-1 1/8-XB	CNBH-36-SB	CRHSB-18	CRH 18 VBUU
CFH 1 1/4SB	H40LW	HR-1 1/4-XB	CNBH-40-SB	CRHSB-20	
CFH 1 3/8SB	H44LW	HR-1 3/8-XB	CNBH-44-SB	CRHSB-22	CRH 22 VBUU
CFH 1 1/2SB	H48LW	HR-1 1/2-XB	CNBH-48-SB	CRHSB-24	CRH 24 VBUU
CFH 1 5/8SB	H52LW	HR-1 5/8-XB	CNBH-52-SB	CRHSB-26	CRH 26 VBUU
CFH 1 3/4SB	H56LW	HR-1 3/4-XB	CNBH-56-SB	CRHSB-28	CRH 28 VBUU
CFH 1 7/8SB	H60LW	HR-1 7/8-XB	CNBH-60-SB	CRHSB-30	CRH 30 VBUU
CFH 2SB	H64LW	HR-2-XB	CNBH-64-SB	CRHSB-32	CRH 32 VBUU
CFH 2 1/4SB	H72LW	HR-2 1/4-XB	CNBH-72-SB	CRHSB-36	CRH 36 VBUU
CFH 2 1/2SB	H80LW	HR-2 1/2-XB	CNBH-80-SB	CRHSB-40	CRH 40 VBUU

Yoke Roller Sealed

BL #	RBC	SMITH	CARTER	TORR / NSK/ CONS	IKO
CYR 3/4S	Y24L	YR-3/4-X	YNB-24-S	YCRS-12	CRY 12 VUUE01
CYR 7/8S	Y28L	YR-7/8-X	YNB-28-S	YCRS-14	CRY 14 VUUE01
CYR 1S	Y32L	YR-1-X	YNB-32-S	YCRS-16	CRY 16 VUUE01
CYR 1 1/8S	Y36L	YR-1 1/8-X	YNB-36-S	YCRS-18	CRY 18 VUUE01
CYR 1 1/4S	Y40L	YR-1 1/4-X	YNB-40-S	YCRS-20	
CYR 1 3/8S	Y44L	YR-1 3/8-X	YNB-44-S	YCRS-22	CRY 22 VUUE01
CYR 1 1/2S	Y48L	YR-1 1/2-X	YNB-48-S	YCRS-24	CRY 24 VUUE01
CYR 1 5/8S	Y52L	YR-1 5/8-X	YNB-52-S	YCRS-26	CRY 26 VUUE01
CYR 1 3/4S	Y56L	YR-1 3/4-X	YNB-56-S	YCRS-28	CRY 28 VUUE01
CYR 1 7/8S	Y60L	YR-1 7/8-X	YNB-60-S	YCRS-30	CRY 30 VUUE01
CYR 2S	Y64L	YR-2-X	YNB-64-S	YCRS-32	CRY 32 VUUE01
CYR 2 1/4S	Y72L	YR-2 1/4-X	YNB-72-S	YCRS-36	CRY 36 VUUE01
CYR 2 1/2S	Y80L	YR-2 1/2-X	YNB-80-S	YCRS-40	CRY 40 VUUE01
CYR 2 3/4S	Y88L	YR-2 3/4-X	YNB-88-S	YCRS-44	CRY 44 VUUE01
CYR 3S	Y96L	YR-3-X	YNB-96-S	YCRS-48	CRY 48 VUUE01
CYR 3 1/4S	Y104L	YR-3 1/4-X	YNB-104-S	YCRS-52	CRY 52 VUUE01
CYR 3 1/2S	Y112L	YR-3 1/2-X	YNB-112-S	YCRS-56	CRY 56 VUUE01
CYR 4S	Y128L	YR-4-X	YNB-128-S	YCRS-64	CRY 64 VUUE01
CYR 5S	Y160L	YR-5-X	YNB-160-S	YCRS-80	
CYR 6S	Y192L	YR-6-X	YNB-192-S	YCRS-96	
CYR 7S	Y224L		YNB-224-S	YCRS-112	

Mounted Units



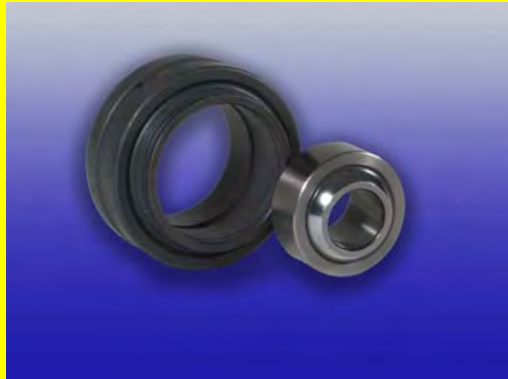
Stainless Steel Mounted Units are designed for use in harsh chemical wash down and corrosive applications.

Housings & inserts are 100% stainless steel throughout. Housings are solid based and polished providing a smooth clean surface resistant to contaminants or corrosion. Inserts are lubricated with non-toxic FDA food grade grease with an operating temperature range of -10 to +250 f..

All stainless units are ideal for extreme wash down or chemically corrosive applications such pharmaceutical manufacturing, food processing and beverages.

Interchanges

BL Part #	AMI #	Browning#	FYH #	IPTCI#	Peer #
Pillow Blocks					
UCPSS205-16SS	MUCP205-16	SPS-S216	UCSP205-16SH1	SUCSP205-16	SSUCP205-16
Four Bolt Flanges					
UCFSS205-16SS	MUCF205-16	SF4S-S216	UCSF205-16S6H1	SUCSF205-16	SSUCF205-16
Two Bolt Flanges					
UCFLSS205-16SS	MUCFL205-16	SF2S-216	UCSFL20516S6H1	SUCSFL205-16	SSUCFT205-16



Spherical Plain BEARINGS

Bearings Limited carries a comprehensive selection of Spherical Plain Bearings.

Spherical Plain Bearings are produced in many designs and with various combinations of sliding contact surfaces. The basic design is composed of a fractured outer ring of carbon chromium steel which is hardened & phosphated; and an inner ring of the same material. On both, the sliding surfaces are treated with Molybdenum Disulfide (MOS₂) to reduce friction. Most designs can be re-lubricated through annular grooves and lubrication holes in the rings. Many designs are also available with a PTFE Composite lined sliding surface, offering a maintenance free solution with lower friction.

Bearings Limited carries a high quality bearing produced by one of the oldest and most well established factories in China. These bearings are produced under the strict ISO9000 guidelines for which they have received certification since 1995. In recent years, they have produced bearings on consignment for some of the largest bearing manufacturers in Europe.

Product Offering & Interchange

BL Part #	Ref #	Elges/INA	Tor.	RBC
GE 25C	GE 25C	GE 25UK	GE 25D	SAR1-25
GE 25ES*¹	GE 25ES	GE 25DO	25FS42	MB25
GEZ 100ES*	GEZ 25ES	GE 25ZO	10SF16	B16L
GEH 25C	GEG 25C	GE 25FW	-	-
GEH 25ES*	GEG 25ES	GE 25FO	25FSH47	MBH25
GEG 25ES	GEEW 25ES	GE 25LO	-	-
GAC 25F	GAC 25T	GE 25SW	-	-
GAZ 100SA	GACZ 25S		10SBT16	B16SA
GEM 25ES 2RS	GEEM 25ES 2RS	GE 25HO-2RS	-	-
GX 25F	GX 25T	GE 25AW	-	-

* Also Available in 2RS ¹ Also Available in PTFE Lined

Rubber Mounted Pressed Steel Pillow Blocks



Rubber Mounted Pressed Steel RPB Pillow Blocks & Rubber encased RABR Inserts are designed for use in the HVAC industry.

RPB units consist of a two piece separable pressed steel housing (PB Housing) with a light duty ball bearing insert surrounded by a conductive rubber ring (RABR insert) to help eliminate noise and vibration.

Units are available with flush inner ring bearings constructed with full cover metal shroud seals and eccentric (self locking) collar. They are also available with dual set screw bearings (S suffix).

RABR inserts are also available as replacement bearings or for applications where they are used without the housing. Current stock sizes are 1/2", 17mm, 3/4", 20mm, 7/8", & 1" bores.

Unit Interchange

BL Part #	AMI #	Fafnir #	FYH #	Peer #
Eccentric Collar				
RPB16	KHPR205-16	RPB1	SARPP205-16	FHPRZ205-16
Set Screw				
RPB16S	BPR205-16	N/A	SPRPP205-16	FHSPRZ205-16

Insert Interchange

BL Part #	AMI #	Fafnir #	FYH #	Peer #
Eccentric Collar				
RABR16	KH205-16 + R6	RABR1	SAR205-16	FH205-16 + R6
Set Screw				
RABR16S	B5-16 + R6	N/A	SBR205-16	FHS205-16 + R6

Roller Clutch Bearings



Drawn Cup Roller Clutch bearings are designed to transmit torque between the shaft & housing in one direction while allowing free overrun in the opposite direction. These are ideal for applications where one-directional movement is needed with backstopping or indexing capabilities such as: conveyor rollers, rack indexing drives, timing motors, paper feed rolls, and motor backstops

The **RC series** clutches are inch dimension bearings that have springs integrally molded with the cage to position the rollers for lockup. **The RCB clutch & bearing assembly** is designed with 3 sets of rollers (*shown in the photograph above*). The middle rollers have springs integrally molded with the cage to position the rollers for lockup. Both series are available, upon request, with stainless steel springs. These carry the FS suffix.

BL Part #	Shaft (in)	OD (in)	Width (in)
RCB061014	3/8	5/8	7/8
RCB081214	1/2	3/4	7/8
RCB101416	5/8	7/8	1
RCB121616	3/4	1	1
RCB162117	1	1.313	1.063
RC061014	3/8	5/8	7/8
RC081214	1/2	3/4	7/8
RC101416	5/8	7/8	1
RC121616	3/4	1	1
RC162117	1	1.313	1.063

Pressed Steel Pillow Blocks



Pressed Steel Pillow Blocks are designed for light duty applications to provide the advantages of ball bearings at an economical cost.

These units consist of a 2 piece separable pressed steel housing encasing a light duty ball bearing insert that allows self-alignment in all directions.

Units are available with flush inner ring bearings constructed with full cover metal shroud seals and eccentric (self locking) collar. They are also available with dual set screw bearings.

Interchange

BL Part #	Shaft (in)	Peer #	Fafnir #	Seal Master
<i>Eccentric Locking Collar</i>				
SAPP202-10	5/8	FHPPZ202-10	PB 5/8	SSP-10E
SAPP204-12	3/4	FHPPZ204-12	PB 3/4	SSP-12E
SAPP205-16	1	FHPPZ205-16	PB 1	SSP-16E
SAPP206-20	1 1/4	FHPPZ206-20	PB 1 1/4S	SSP-20E
SAPP207-23	1 7/16	FHPPZ207-23	PB 1 7/16	SSP-23E
<i>Dual Set Screw Locking</i>				
SBPP202-10	5/8	FHSPPZ202-10	-	SSP-10
SBPP204-12	3/4	FHSPPZ204-12	-	SSP-12
SBPP205-16	1	FHSPPZ205-16	-	SSP-16
SBPP206-20	1 1/4	FHSPPZ206-20	-	SSP-20
SBPP207-23	1 7/16	FHSPPZ207-23	-	SSP-23

Other sizes, including metric executions, are available upon request,

Metric Rod Ends

SA(L) & SI (L)

Series



Bearings Limited now stocks metric rod ends. These units are constructed of carbon steel which is zinc coated to provide corrosion resistance. Inner ring surfaces are made of phosphated, hardened, carbon chromium steel, and the sliding surfaces are coated with MoS2. Steel on Steel construction is provided as standard; however Steel on Bronze and PTFE lined are available upon request.

Male – Steel on Steel

BL#	Cons #	SKF #	INA
SA(L) 6E	SA(L) 6E	SA(L) 6E	GAR/GAL 6DO
SA(L) 8E	SA(L) 8E	SA(L) 8E	GAR/GAL 8DO
SA(L) 10E	SA(L) 10E	SA(L) 10E	GAR/GAL 10DO
SA(L) 12E	SA(L) 12E	SA(L) 12E	GAR/GAL 12DO
SA(L) 15ES	SA(L) 15ES	SA(L) 15ES	GAR/GAL 15DO
SA(L) 17ES*	SA(L) 17ES	SA(L) 17ES	GAR/GAL 17DO
SA(L)20 ES*	SA(L)20 ES	SA(L)20 ES	GAR/GAL 20 DO
SA(L) 25ES*	SA(L) 25ES	SA(L) 25ES	GAR/GAL 25DO
SA(L) 30ES*	SA(L) 30ES	SA(L) 30ES	GAR/GAL 30DO

Female - Steel on Steel

BL#	Cons #	SKF #	INA
SI(L) 6E	SI(L) 6E	SI(L) 6E	GIR/GIL 6DO
SI(L) 8E	SI(L) 8E	SI(L) 8E	GIR/GIL 8DO
SI(L) 10E	SI(L) 10E	SI(L) 10E	GIR/GIL 10DO
SI(L) 12E	SI(L) 12E	SI(L) 12E	GIR/GIL 12DO
SI(L) 15ES	SI(L) 15ES	SI(L) 15ES	GIR/GIL 15DO
SI(L) 17ES*	SI(L) 17ES	SI(L) 17ES	GIR/GIL 17DO
SI(L) 20ES*	SI(L) 20 ES	SI(L) 20 ES	GIR/GIL 20 DO
SI(L) 25ES *	SI(L) 25ES	SI(L) 25ES	GIR/GIL 25DO
SI(L) 30ES*	SI(L) 30ES	SI(L) 30ES	GIR/GIL 30DO

Up to 80mm (i.e. SA 80ES) available from stock * Available in 2RS as well
 (L), GAL, GIL - Left Hand Threads ES - with re-lubrication feature

Medium Duty Mounted Units



Medium Duty units are designed with wide inner races and are used where a greater load carrying capacity than standard duty units is required. Inserts are made of medium duty construction, steel riveted cage, set screws and contact seal with slinger.

Interchanges

BL Part #	BROWNING	DODGE	HUB CITY	SEALMASTER
Pillow Blocks				
UCPX05-16	VPS316	P2B-SCM-100	PB350-1	MP16
4 Bolt Flanges				
UCFX05-16	VF4S316	F4B-SCM-100	FB350-1	MSF16
Piloted Flanges				
UCFCSX05-16	VFCS316	FC-SCM-100	N/A	MFC16



Linear Motion BEARINGS

Bearings Limited carries the popular NB brand Linear Motion Bearings

Since it's founding in 1939, **NB** has emerged as a leading manufacturer of high quality linear motion products in Japan. *Bearings Limited* is proud to stock the NB "Slide Bush", "Top Ball" Linear Motion Bearing Series. These high quality bearings offer excellent value & performance versus most other brands. Bearings Limited is also able to offer other NB products including the popular Slide Units, Flanged Slide Bush & Slide Guides, subject to short lead times.

In addition to NB, *Bearings Limited* also stocks linear motion bearings produced by **EASE Seiko** in Japan. Like NB, these high quality Japanese bearings provide excellent value & performance.

INTERCHANGE

BL Part #	NB	Thompson	EASE	Barden
A162536	SW16	A162536	SDB16	L16
ADJ 162536	SW16-AJ	ADJ162536	SDB16AJ	LA16
OPN 162536	SW16-OPN	OPN162536	SDB16OP	LO16
SUPER 16	TW16	SUPER16	-	FL16
SUPER16 DD	TW16UU	SUPER16DD	-	-
SUPER 16 OPN	TW16-OPN	SUPER16OPN	-	FLO16



High Precision Radial Ball BEARINGS

Bearings Limited carries a wide range of high precision radial ball bearings, both in open & sealed configurations

The open bearings (TP4) are produced by IBC*, an ISO9001 certified, 86 yr old manufacturer of high precision bearings in Germany & Switzerland. IBC produces one of the top precision bearings in Europe, has capabilities to produce to Abec 9 tolerances, & has subcontracted for major high precision bearing manufacturers. (* also may have ZKL & RHP stock)

The sealed bearings (2RSP53) are produced by ORS. ORS is a QS 9000 certified, premier European manufacturer of Electric Motor Quality bearings. ORS bearings are 100% sound & vibration tested. The 2RSP53 ORS bearings carried by *Bearings Limited* are pre-lubricated with Exxon Polyrex EM, the preminent Electric Motor Grease (G93).

Part #		
6200 2RS P53 G93	6200T P4	6304 T P4
6201 2RS P53 G93	6201T P4	6305 T P4
6202 2RS P53 G93	6202T P4	6306 T P4
6203 2RS P53 G93	6203 T P4	6307 T P4
6204 2RS P53 G93	6204 T P4	6308 T P4
6205 2RS P53 G93	6205 T P4	6309 T P4
6206 2RS P53 G93	6206 T P4	6310 T P4
6207 2RS P53 G93	6207 T P4	6311 T P4
6208 2RS P53 G93	6208 T P4	6312 T P4
6209 2RS P53 G93	6209 T P4	6313 T P4
	6210 T P4	6314 T P4
6302 2RS P53 G93	6211 T P4	Sealed bearings are produced with steel cage. TN cage is also available upon request
6303 2RS P53 G93	6212 T P4	
6304 2RS P53 G93	6213 T P4	
6305 2RS P53 G93	6214 T P4	
6306 2RS P53 G93	6215 T P4	
6307 2RS P53 G93	6216 T P4	
6308 2RS P53 G93	6217 T P4	
		CO fit also available upon request



FREE SPINNING BEARING INSERTS

Free Spinning Bearing inserts are ideal for high speed applications where low drag and low starting torque are desired.

This unique design incorporates non-contact steel slinger shields, riveted steel cages, and light oil (K) or light grease (KG variation) lubrication to provide maximum performance. Units are Black Oxide finished for increased corrosion resistance in harsh environments.

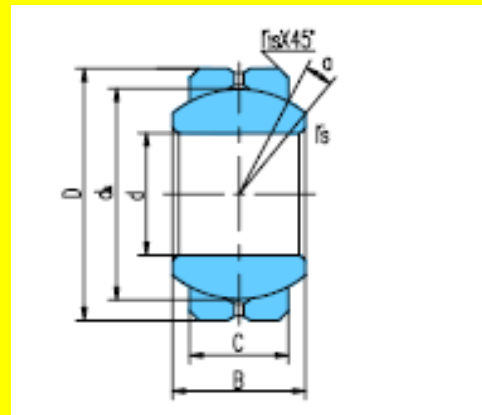
Popular applications include:

- Packaging
- Printing Machinery
- Conveyor Systems
- Recreational & Racing Vehicles

Interchange by Manufacturer*				
BL	AMI	FYH	Peer	SealMaster
ER16 K	SER205-16FS	ER205-16DSK3X	SER-16-ZSFF	ER16-XLO
ER16 KG	-	-	SER205-16 ZMKFF	-

* Interchange guide is for comparison only. Specifications may vary by manufacturer.

COM Series



Specifications

Sliding Surface: Steel on Steel – Chrome Plated Ball

Relubricable through annular grooves & oil holes in inner ring

Part #	Ref #	Dimensions								Load Ratings kN		Wgt Lbs
		d	D	B	C	dk	rs	rls	a	Dynamic	Static	
COM 4	GEFZ6S	.250	.6562	.343	.250	.500	.012	.022	13.5	4.4	22	.022
COM 6	GEFZ9S	.3125	.8125	.406	.312	.656	.012	.032	10	7.4	37	.037
COM 7	GEFZ11S	.4375	.9062	.437	.343	.687	.012	.032	8	8.4	42	.046
COM 8	GEFZ12S	.500	1.000	.500	.390	.813	.012	.032	9.5	12	58	.064
COM 10	GEFZ15S	.625	1.1875	.625	.500	1.00	.012	.032	9.5	19	94	.11
COM 12	GEFZ19S	.750	1.4375	.750	.593	1.187	.012	.044	9	28	141	.20
COM 14	GEFZ22S	.875	1.5625	.703	.875	1.312	.012	.044	9.5	37	186	.26
COM 16	GEFZ25S	1.00	1.750	1.00	.797	1.500	.012	.044	10	49	245	.38

Also available: Maintenance Free – PTFE Lined – COM..T
 : Stainless Steel - SSCOM

Common Interchanges (1/2" Bore) : COM-8 CRS 8

Thermoplastic Housings with Stainless Steel Inserts

The corrosion resistant Thermoplastic Housings with Stainless Steel Inserts offer a unique solution for applications that require a clean operating environment & frequent wash downs such as food processing, packaging, or in pharmaceutical machinery; or are subject to corrosive elements such as those found in photo & film processing, dyeing & printing, textile finishing, or chemical processing machinery.

These maintenance free housings have excellent mechanical strength, stiffness & dimensional stability.



Features

- Housing constructed of high-grade PBT (see below for properties & chemical resistance)
- Stainless Steel (AISI304) Bolt Hole sleeves
- Solid base that prevents dirt from entering the bottom of housings
- Stainless Steel (AISI304) Grease Nipple
- Stainless Steel Insert (AISI440C)
- FDA Food Approved Grease (Mobil FM102)

Chemical Media	°C	Immulsion & Days	% Retention of strength	PROPERTIES	Unit	Test method	
Acids				Mechanical			
10 % Hydrochloric	23	30	89	Tensile strength at yield	N/mm ²	ASTM D 638	115
	23	90	85	at break	N/mm ²	ASTM D 638	
	23	180	82	Elongation at yield	%	ASTM D 638	3
10% Sulfuric	23	30	97	at break	%	ASTM D 638	-
	23	90	94P	Tensile modulus	N/mm ²	ASTM D 638	8000
	23	180	90	Flexural yield strength	N/mm ²	ASTM D790	- 170
36% Sulfuric (battery)	23	30	97	Flexural yield strength	N/mm ²	ASTM D790	7000
	23	180	96	Flexural modulus	N/mm ²	ASTM D790	12
	66	30	84	Notched impact strength Charpy	K/m ²	DIN 53453	104
10% Acetic	23	30	89	Hardness.H358/10	N/mm ²	DIN 53456	101
	23	180	88	H358/60	N/mm ²	DIN 53456	L102
				Rockwell		ASTM D 785	
Bases				Thermal			
5% Potassium Hydroxide	23	30	83	Oxygen index**		ADTM D 2863	19
	23	90	10	Flame retardancy	-	UL stand 94	94HB
10% Sodium Hydroxide	23	30	2	(1/6mm thickness)**			210-215
	23	180	-	Heat resistance: Vicat,methodB	°C	ASTM D 1525	0.19
10% Ammonium Hydroxide	23	30	90	Thermal conductivity	Whm ² C	ASTM C 177	0.4-0.6
	23	90	87	Mould shrinkage flow	%	ASTM D 1299	0.6-0.8
23	23	180	58	Cross flow direction	%	ASTM D 1299	
				Physical			
Organic Solvents				Water absorption	-	ASTM D 570	0.06
Ethyl Alcohol	23	30	99	24 Hrs, 23 °C	%		
	23	180	94				
Methyl Alcohol	23	30	91				
	23	180	76				
Isopropyl-Alcohol	23	30	100				
	23	180	100				
Isopropyl-Alcohol & Water (50:50)	23	30	93				
	23	180	96				
Turpentine	23	180	92				
	23	30	66				
Acetone	23	180	63				