

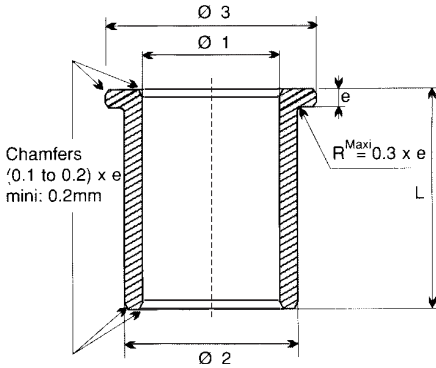


## SELF-LUBRICATING FLANGED BEARINGS METAFFRAM - ISO STANDARD SIZES SIMILAR TO DIN 1850V

### Flanged bearing

All the sizes listed on this page are normally stocked at the factory in both grades.

Bronze Ref. **BP 25** Iron alloy Ref. **FP 20**



### Designation

A flanged bearing I/D: 22 - O/D: 29 - L: 36 is designated by :  
- its grade

**METAFFRAM BP 25 bearing**  
(or FP 20 )

- its dimensional symbol  
**C 22/29 x 36**

### Tolerances

#### Bearings before assembly

I/D - Ø 1 Tolerance F8  
O/D - Ø 2 Tolerance s8  
Length - L > 10 Tolerance ± 1 %  
Length - L ≤ 10 Tolerance ± 0.10 mm  
Flange : I/D - Ø 3 Tolerance js I3  
thickness: e Tolerance js I4

#### T.I.R. Ø1 Ø2

Max. readings for one complete turn of the bearing mounted on a mandrel

I/D ≤ 25 Tolerance 60 µ  
O/D > 25 Tolerance 80 µ

#### Bearings after assembly

see assembly instructions on page 4

abbreviations: mini = minimum; maxi = maximum

Inside mm (Ø1)	Outside mm (Ø2)	Flange		Length of bearing (L) mm	Inside mm (Ø1)	Outside mm (Ø2)	Flange		Length of bearing (L) mm
		Outside mm (Ø3)	Thickness mm (e)				Outside mm (Ø3)	Thickness mm (e)	
C 3 +21 +7	Ø 37 +19	9	1,5	4-6-10	C22 +53 +20	27 +68 +35	32	2,5	18-22-28
C 4 +28 +10	Ø 45 +23	12	2	4-8-12	C22 +53 +20	28 +68 +35	34	3	15-20-25-30
C 6 +28 +10	Ø 45 +23	14	2	6-10-16	C22 +53 +20	29 +68 +35	36	3,5	18-22-28-36
C 8 +35 +13	Ø 55 +28	16	2	8-12-16	C25 +53 +20	30 +68 +35	35	2,5	20-25-32
C 9 +35 +13	Ø 55 +28	19	2,5	6-10-14	C25 +53 +20	32 +82 +43	39	3,5	20-25-32
C10 +35 +13	Ø 55 +28	16	1,5	10-16-20	C28 +53 +20	33 +82 +43	38	2,5	22-28-36
C10 +35 +13	Ø 55 +28	20	2,5	10-16-20	C28 +53 +20	36 +82 +43	44	4	22-28-36
C10 +35 +13	Ø 55 +28	22	3	8-10-16	C30 +53 +20	38 +82 +43	46	4	20-25-30
C12 +43 +16	Ø 55 +28	18	1,5	12-16-20	C32 +64 +25	38 +82 +43	44	3	20-25-32
C12 +43 +16	Ø 55 +28	22	2,5	12-16-20-25	C32 +64 +25	40 +82 +43	48	4	20-25-30-32
C12 +43 +16	Ø 55 +28	24	3	8-12-20	C36 +64 +25	42 +82 +43	48	3	22-28-36
C14 +43 +16	Ø 55 +28	22	2	14-18-22	C36 +64 +25	45 +82 +43	54	4,5	22-28-36
C14 +43 +16	Ø 68 +35	26	3	14-18-22-28	C40 +64 +25	46 +82 +43	52	3	25-32-40
C15 +43 +16	Ø 68 +35	23	2	16-20-25	C40 +64 +25	50 +82 +43	60	5	25-32-40
C15 +43 +16	Ø 68 +35	27	3	16-20-25-32	C45 +64 +25	51 +99 +53	57	3	28-36-45
C16 +43 +16	Ø 68 +35	24	2	16-20-25	C45 +64 +25	56 +99 +53	67	5,5	28-36-45
C16 +43 +16	Ø 68 +35	28	3	16-20-25-32	C50 +64 +25	56 +99 +53	62	3	32-40-50
C18 +43 +16	Ø 68 +35	26	2	18-22-28	C50 +64 +25	60 +99 +53	70	5	32-40-50
C18 +43 +16	Ø 68 +35	30	3	18-22-28					
C20 +53 +20	Ø 68 +35	28	2	16-20-25					
C20 +53 +20	Ø 68 +35	32	3	16-20-25-32					
					C60 +76 +30	70 +105 +59	80	5	50-60

There are 2 standard grades

BP 25 Bronze

FP 20 Iron alloy

Similar to AFNOR  
SINT  
ASTM

FUE 10.62  
B51  
B438 1 II

F-00C2-K200  
A10

Mini density (g/cm<sup>3</sup>)  
Maxi pressure (daN/cm<sup>2</sup>)

6.2  
100

5.6  
225

Maxi linear speed (m/s)

6

4

Maxi PV- Hydrodynamic conditions  
(mini V: 0.5 m/s) daN/cm<sup>2</sup> x m/s

18

18

Temperature limits  
Impregnation oil

-5°/+90°  
MT 100

-5°/+90°  
MT 100

BP25 - Very good coefficient of friction.  
Good corrosion resistance. Recommended  
for high speeds and frequent start ups.

FP20 - Recommended for medium speeds and for  
high static loads. Good seizure resistance. Preferred  
for hardened steel shafts with precise alignments.

NON-STANDARD SIZES ARE ALSO AVAILABLE FROM US. PLEASE INQUIRE FOR A PROMPT QUOTATION.

See the latest product information & technical data charts on the Internet at: <http://mdmetric.com> E-mail: [sales@mdmetric.com](mailto:sales@mdmetric.com)

b1.cdr ver ff28d copyright 1997, 2010 maryland metrics

Mail to: P.O. BOX 261, OWINGS MILLS, MARYLAND 21117

Warehouse: 6119 OAKLEAF AVENUE, BALTIMORE, MARYLAND 21215

FOR ALL YOUR METRIC HARDWARE NEEDS