



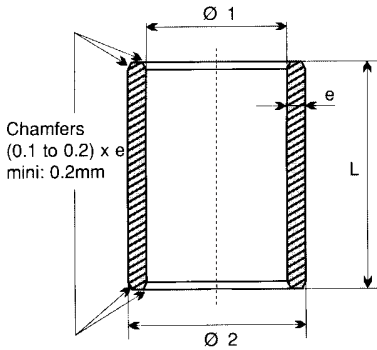
SELF-LUBRICATING CYLINDRICAL BEARINGS METAfram - ISO STANDARD SIZES SIMILAR TO DIN 1850J

Cylindrical bearing

All the sizes listed on this page are normally stocked at the factory in both grades.

Bronze
Ref. **BP 25**

Iron alloy
Ref. **FP 20**



Designation

A cylindrical bearing

I/D: 22 - O/D: 29 - L: 36

is designated by :

- its grade

METAfram BP 25 bearing
(or FP 15)

- its dimensional symbol

Tolerances

Bearings before assembly

I/D - Ø 1

Tolerance F7

(F8 for Ø1 > 50 mm)

O/D - Ø 2

Tolerance s7

(s8 for Ø2 > 50 mm)

Length - L > 10

Tolerance ± 1%

Length - L ≤ 10

Tolerance ± 0.10 mm

T.I.R. Ø1 Ø2

Max. readings for one

complete turn of the bearing

mounted on a mandrel

I/D ≤ 25 Tolerance 50 µ

O/D > 25 Tolerance 70 µ

Bearings after assembly

see assembly instructions

Note: ISO tolerances are in
µ (microns). 1 micron = 0.001 mm.

NON-STANDARD SIZES ARE ALSO AVAILABLE FROM US. PLEASE INQUIRE FOR A PROMPT QUOTATION.

Inside mm (Ø1)	Outside mm (Ø2)	Length of bearing (L) mm	Inside mm (Ø1)	Outside mm (Ø2)	Length of bearing (L) mm	Inside mm (Ø1)	Outside mm (Ø2)	Length of bearing (L) mm
2 ⁺¹⁶ ₊₇	5 ⁺³¹ ₊₁₉	2-3	15 ⁺³⁴ ₊₁₆	19 ⁺⁵⁶ ₊₃₅	16-20-25-32	35 ⁺⁵⁰ ₊₂₅	45 ⁺⁶⁸ ₊₄₃	25-35-40-50
3 ⁺¹⁶ ₊₇	6 ⁺³¹ ₊₁₉	4-6-10	15 ⁺³⁴ ₊₁₆	21 ⁺⁵⁶ ₊₃₅	16-20-25-32	36 ⁺⁵⁰ ₊₂₅	42 ⁺⁶⁸ ₊₄₃	22-28-36-45
4 ⁺²² ₊₁₀	7 ⁺³⁸ ₊₂₃	4-8-12	16 ⁺³⁴ ₊₁₆	20 ⁺⁵⁶ ₊₃₅	16-20-25-32	36 ⁺⁵⁰ ₊₂₅	45 ⁺⁶⁸ ₊₄₃	22-28-36-45
4 ⁺²² ₊₁₀	8 ⁺³⁸ ₊₂₃	4-8-12	16 ⁺³⁴ ₊₁₆	22 ⁺⁵⁶ ₊₃₅	16-20-25-32	38 ⁺⁵⁰ ₊₂₅	44 ⁺⁶⁸ ₊₄₃	25-35-45
5 ⁺²² ₊₁₀	8 ⁺³⁸ ₊₂₃	5-8-10-12-16	18 ⁺³⁴ ₊₁₆	22 ⁺⁵⁶ ₊₃₅	18-22-28-36	40 ⁺⁵⁰ ₊₂₅	46 ⁺⁶⁸ ₊₄₃	25-32-40-50
5 ⁺²² ₊₁₀	9 ⁺³⁸ ₊₂₃	4-5-8	18 ⁺³⁴ ₊₁₆	24 ⁺⁵⁶ ₊₃₅	18-22-28-36	40 ⁺⁵⁰ ₊₂₅	50 ⁺⁶⁸ ₊₄₃	25-32-40-50
6 ⁺²² ₊₁₀	9 ⁺³⁸ ₊₂₃	6-10-12-16	18 ⁺³⁴ ₊₁₆	25 ⁺⁵⁶ ₊₃₅	18-22-28-36			
6 ⁺²² ₊₁₀	10 ⁺³⁸ ₊₂₃	6-10-12-16	20 ⁺⁴¹ ₊₂₀	24 ⁺⁵⁶ ₊₃₅	16-20-25-32	45 ⁺⁵⁰ ₊₂₅	51 ⁺⁸³ ₊₅₃	28-36-45-56
6 ⁺²² ₊₁₀	12 ⁺⁴⁶ ₊₂₈	6-10-12-16	20 ⁺⁴¹ ₊₂₀	25 ⁺⁵⁶ ₊₃₅	16-20-25-32	45 ⁺⁵⁰ ₊₂₅	55 ⁺⁸³ ₊₅₃	35-45-55-65
7 ⁺²⁸ ₊₁₃	10 ⁺³⁸ ₊₂₃	5-8-10	20 ⁺⁴¹ ₊₂₀	26 ⁺⁵⁶ ₊₃₅	16-20-25-32	45 ⁺⁵⁰ ₊₂₅	56 ⁺⁸³ ₊₅₃	28-36-45-56
8 ⁺²⁸ ₊₁₃	11 ⁺⁴⁶ ₊₂₈	8-12-16-20	20 ⁺⁴¹ ₊₂₀	27 ⁺⁵⁶ ₊₃₅	16-20-25-32			
8 ⁺²⁸ ₊₁₃	12 ⁺⁴⁶ ₊₂₈	8-12-16-20	20 ⁺⁴¹ ₊₂₀	28 ⁺⁵⁶ ₊₃₅	16-20-25-32	50 ⁺⁵⁰ ₊₂₅	56 ⁺⁸³ ₊₅₃	32-40-50-63
8 ⁺²⁸ ₊₁₃	14 ⁺⁴⁶ ₊₂₈	8-12-16-20	22 ⁺⁴¹ ₊₂₀	27 ⁺⁵⁶ ₊₃₅	18-22-28-36	50 ⁺⁵⁰ ₊₂₅	60 ⁺⁸³ ₊₅₃	32-40-50-63
9 ⁺²⁸ ₊₁₃	12 ⁺⁴⁶ ₊₂₈	6-10-14	22 ⁺⁴¹ ₊₂₀	28 ⁺⁵⁶ ₊₃₅	18-22-28-36			
10 ⁺²⁸ ₊₁₃	13 ⁺⁴⁶ ₊₂₈	10-16-20-25	22 ⁺⁴¹ ₊₂₀	29 ⁺⁵⁶ ₊₃₅	18-22-28-36	55 ⁺⁷⁶ ₊₃₀	65 ⁺⁸³ ₊₅₃	40-55-70
10 ⁺²⁸ ₊₁₃	14 ⁺⁴⁶ ₊₂₈	10-16-20-25	25 ⁺⁴¹ ₊₂₀	30 ⁺⁵⁶ ₊₃₅	20-25-32-40	60 ⁺⁷⁶ ₊₃₀	70 ⁺¹⁰⁵ ₊₅₉	50-60-90-120
10 ⁺²⁸ ₊₁₃	15 ⁺⁴⁶ ₊₂₈	10-16-20-25	25 ⁺⁴¹ ₊₂₀	32 ⁺⁶⁸ ₊₄₃	20-25-32-40	60 ⁺⁷⁶ ₊₃₀	72 ⁺¹⁰⁵ ₊₅₉	50-60-70
10 ⁺²⁸ ₊₁₃	16 ⁺⁴⁶ ₊₂₈	10-16-20-25	28 ⁺⁴¹ ₊₂₀	32 ⁺⁶⁸ ₊₄₃	22-28-36-45	60 ⁺⁷⁶ ₊₃₀	80 ⁺¹⁰⁵ ₊₅₉	90-120
12 ⁺³⁴ ₊₁₆	15 ⁺⁴⁶ ₊₂₈	12-16-20-25	28 ⁺⁴¹ ₊₂₀	33 ⁺⁶⁸ ₊₄₃	22-28-36-45	63 ⁺⁷⁶ ₊₃₀	70 ⁺¹⁰⁵ ₊₅₉	40-50
12 ⁺³⁴ ₊₁₆	16 ⁺⁴⁶ ₊₂₈	12-16-20-25	28 ⁺⁴¹ ₊₂₀	36 ⁺⁶⁸ ₊₄₃	22-28-36-45	70 ⁺⁷⁶ ₊₃₀	80 ⁺¹⁰⁵ ₊₅₉	90-120
12 ⁺³⁴ ₊₁₆	17 ⁺⁴⁶ ₊₂₈	12-16-20-25	30 ⁺⁴¹ ₊₂₀	38 ⁺⁶⁸ ₊₄₃	24-30-38	80 ⁺⁷⁶ ₊₃₀	100 ⁺¹²⁵ ₊₇₁	120
12 ⁺³⁴ ₊₁₆	18 ⁺⁴⁶ ₊₂₈	12-16-20-25	32 ⁺⁵⁰ ₊₂₅	38 ⁺⁶⁸ ₊₄₃	20-25-32-40-50	100 ⁺⁹⁰ ₊₃₆	120 ⁺¹³³ ₊₇₉	120
14 ⁺³⁴ ₊₁₆	18 ⁺⁴⁶ ₊₂₈	14-18-22-28	32 ⁺⁵⁰ ₊₂₅	40 ⁺⁶⁸ ₊₄₃	20-25-32-40-50	110 ⁺⁹⁰ ₊₃₆	125 ⁺¹⁵⁵ ₊₉₂	120
14 ⁺³⁴ ₊₁₆	20 ⁺⁵⁶ ₊₃₅	14-18-22-28	35 ⁺⁵⁰ ₊₂₅	44 ⁺⁶⁸ ₊₄₃	22-28-35	125 ⁺¹⁰⁶ ₊₄₃	150 ⁺¹⁶³ ₊₁₀₀	120

metafram & metaglass are a trademarks of sintertech

Most sizes are in stock in the USA, & additionally 3,000,000 METAfram self-lubricating bearings are available within 3 weeks* from the factory and central stocking warehouse in Europe. (*or sooner via optional air freight)

Standard cored or solid blanks are also available for customer machining to special sizes (see detailed size listing page).