

LAPP products are available from

MARYLAND METRICS

P.O. Box 261 Owings Mills, MD 21117 USA

ph:(410)358-3130 (800)638-1830

fx:(410)358-3142 (800)872-9329

RFQ form: <http://mdmetric.com/rfq.htm>

Lapp Index Page: <http://mdmetric.com/elect/contents.htm>

OLEFLEX[®]



Cable Track

NYLON CABLE TRACKS

OLFLEX® Cable Track- Micro Carrier 613
Small, Light Weight Open Design, Standard Widths
Light Duty Fiber Reinforced Nylon Cable Track

OLFLEX® Cable Track- Standard Carrier 613
Wide Range, Light Weight Open Design, Standard Widths
Cost Effective Nylon Cable Track

OLFLEX® Cable Track- Rugged Plastic Carrier 614
Full Range, Open or Tubed Design, Standard Widths
Heavy Duty Nylon Cable Track

HYBRID CABLE TRACKS

OLFLEX® Cable Track- Rugged Hybrid Carrier 614
Full Range, Open or Tubed Design, Customizable Widths
Hybrid Nylon Chain/Aluminum Frame Stay Construction

OLFLEX® Cable Track- Rugged Hybrid Quiet Carrier 615
Full Range, Open or Tubed Design, Customizable Widths
Hybrid Nylon Chain/Aluminum Frame Stay Construction

STEEL CABLE TRACKS

OLFLEX® Cable Track- Steel Quiet Carrier 615
Full Range, Open or Tubed Design, Customizable Width
Rugged Steel Cable Track

FLEXIBLE MULTI-AXIS TRACK

OLFLEX® Cable Track- Robot 900 616
3D Multi-Axis Track
Nylon Cable Track

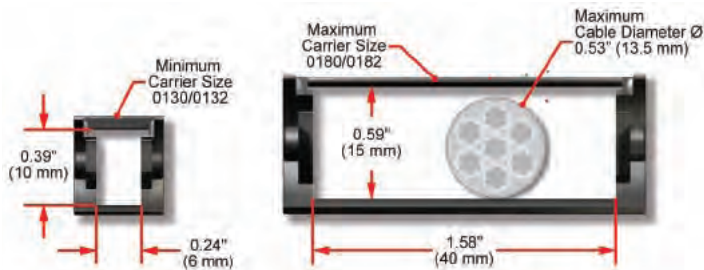
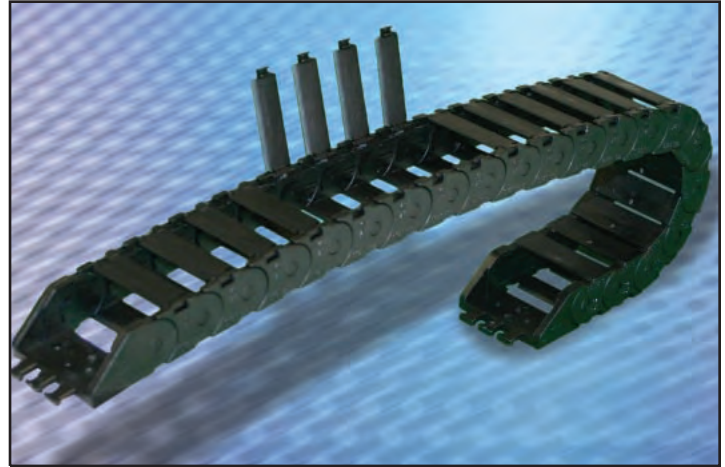
Common Carrier Operating Modes 616

OLFLEX® Cable Track

OLFLEX® Cable Track- Micro Carrier

Small, Light Weight Open Design, Standard Widths
Light Duty, Fiber Reinforced Nylon Cable Track

- Smallest cable carrier for smooth quiet operation
- Fixed closed or hinged opening link options
- Easy snap together assembly
- Integral strain-relief mounting brackets
- Wide range of available bend radii options
- Light weight and rugged fiber-reinforced nylon material
- Models 130/180 (hinged), 132/182 (fixed)

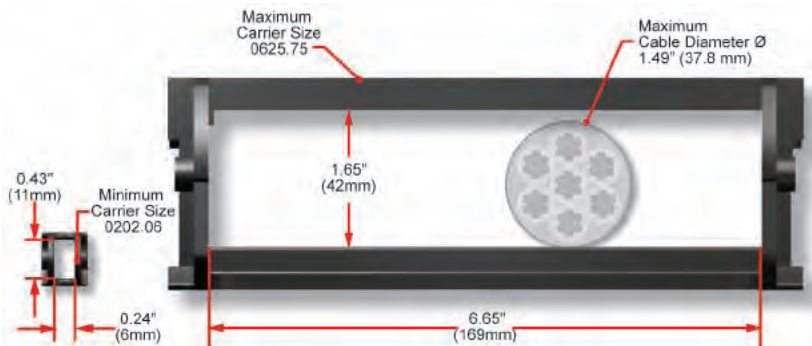


OLFLEX® Cable Track- Standard Carrier

Wide Range, Light Weight Open Design, Standard Widths
Cost Effective Nylon Cable Track



- Lightweight, rugged links in molded fiber-reinforced nylon material
- Wide range of cost effective fixed cable carrier widths
- Fixed closed or hinged opening link options
- Easy snap together assembly
- Integral strain-relief mounting brackets
- Vertical and horizontal cable separation in nylon or aluminum
- Models 202, 320, 450, 625



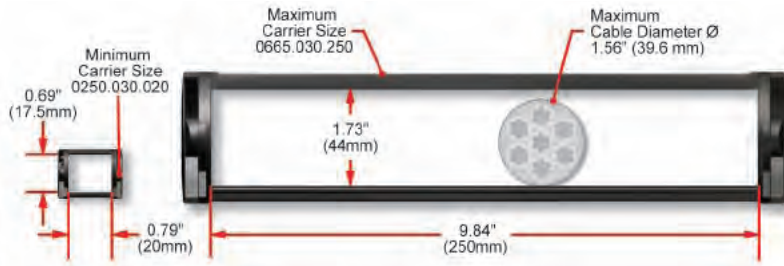
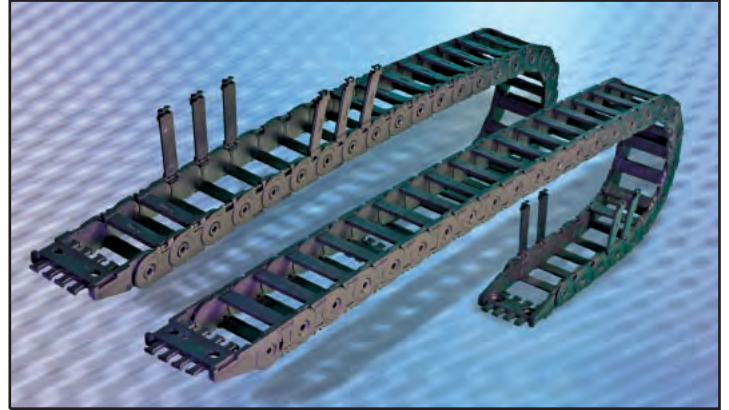
Call 1-800-638-1830 or visit
mdmetric.com
for help specifying our
OLFLEX® Cable Carrier System

OLFLEX® Cable Track

OLFLEX® Cable Track- Rugged Plastic Carrier

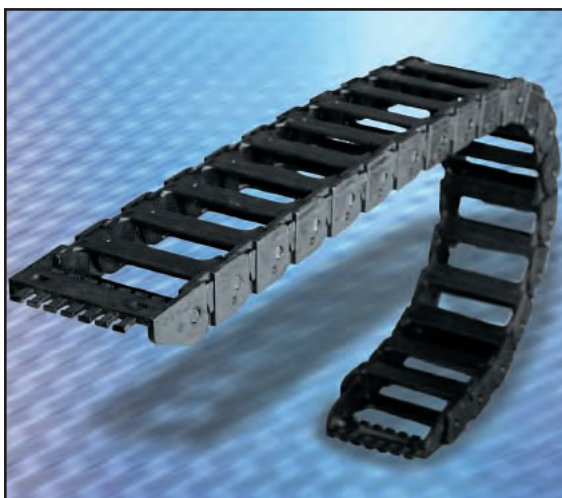
Full Range, Open or Tubed Design, Standard Widths
Heavy Duty Nylon Cable Track

- Standard widths
- Extremely durable fiber-reinforced nylon construction
- Double stop system for industry leading self-supporting lengths under heavy loads
- Easy snap together assembly
- Fixed closed or hinged opening link options
- Integral strain-relief mounting brackets
- Wide range of available bend radii options
- Models 250, 345, 455, 555, 665



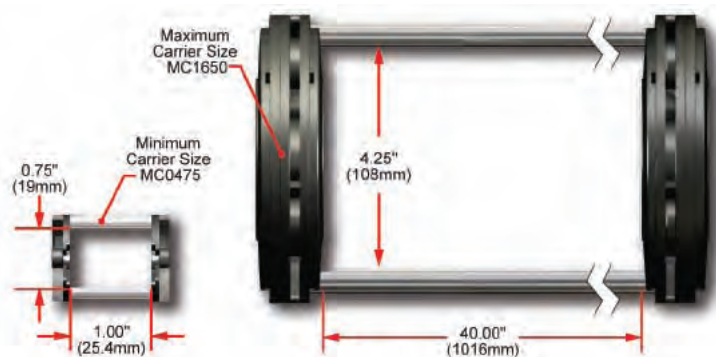
OLFLEX® Cable Track - Rugged Hybrid Carrier

Full Range, Open or Tubed Design, Customizable Widths
Hybrid Nylon Chain/Aluminum Frame Stay Construction



- Extremely durable fiber-reinforced nylon chain band
- Patented nylon bolt together link design
- Replaceable long life glide shoes
- Twist-in, bolted or bored aluminum cavity access bars
- Wide range of available frame-stay, partitioning and bend radii options
- Models:

Open - MC320, MC475, MC650, MC950, MC1250, MC1650
Tubed - MT475, MT650, MT950, MT1250, MT1650



Call 1-800-638-1830 or visit
mdmetric.com
for help specifying our
OLFLEX® Cable Carrier System

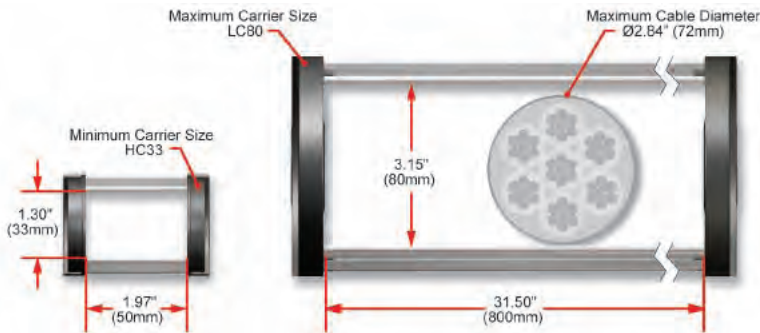
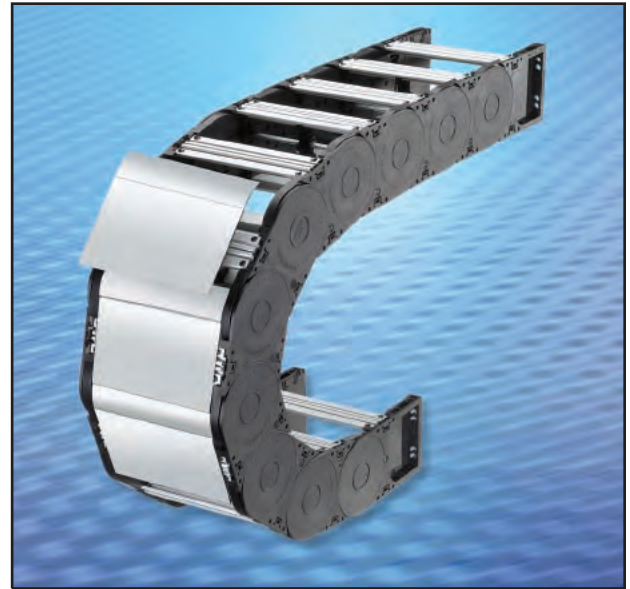
OLFLEX® Cable Track

OLFLEX® Cable Track- Rugged Hybrid Quiet Carrier

Full Range, Open or Tubed Design, Customizable Widths
Hybrid Nylon Chain/Aluminum Frame Stay Construction

- Optimized operational stability for large loads
- Individual cavity widths in infinite incremental sizes
- Extremely quiet patented internal damping system
- Very light weight
- Standard bend radii with intermediate radii available
- Replaceable glide shoes for long travel/high speed applications
- Easily opened from inside and outside for quick cable access and installation
- Models:

Open - HC33, HC46, LC60, LC80
Tubed - LT60, LT80



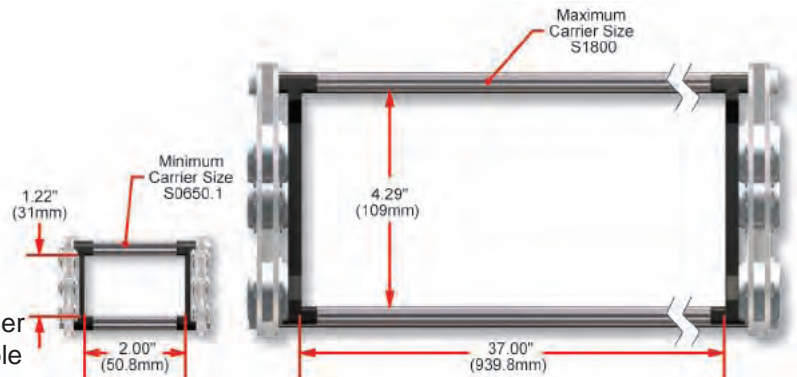
OLFLEX® Cable Track- Steel Quiet Carrier

Full Range, Open or Tubed Design, Customizable Width
Rugged Steel Cable Track



- Rugged, heavy duty carrier scalable to extreme size and load applications
- High-grade galvanized or stainless steel construction
- Corrosion and red-hot chip resistant
(Complete red-hot chip protection with tubed option)
- Wide range of frame-stay partitioning and bend radii options
- Models:

Open - 650S, 950S, 1250S, 1800S, 2500S, 3200S
Tubed - S650, S950, S1250, S1800



Call 1-800-638-1830 or visit mdmetric.com
for help specifying our OLFLEX® Cable Carrier
System for help specifying our OLFLEX® Cable
Carrier System

OLFLEX® Cable Track

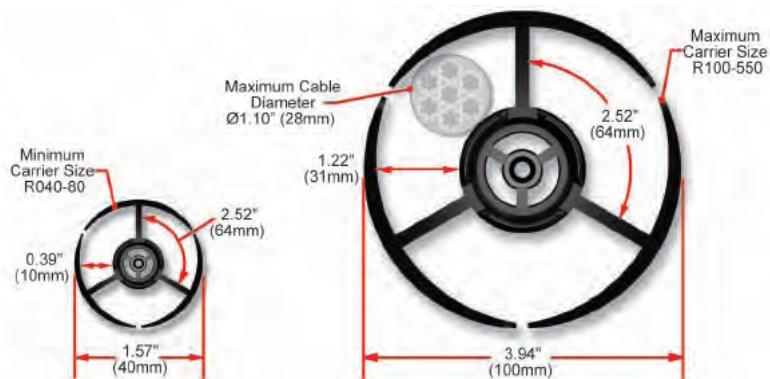
OLFLEX® Cable Track- Robot 900

3D Multi-Axis Track

Nylon Cable Track

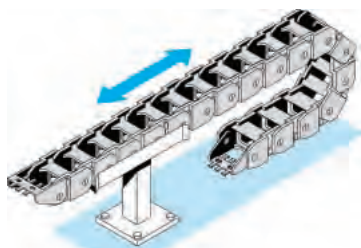
- Patented, flexible 3D movement for multiple axis applications
- Easy press-in cable and hose installation
- Wide range of cable diameters supported
- Braided steel wire core provides optimal strength
- Easy to install mounting brackets for robot installation
- Models:

R40, R56, R75, R85, R100

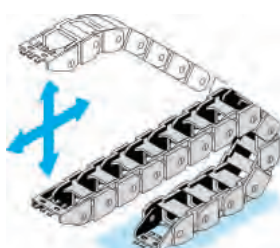


Common Carrier Operating Modes:

Horizontal



Two Axis



Nested Horizontal



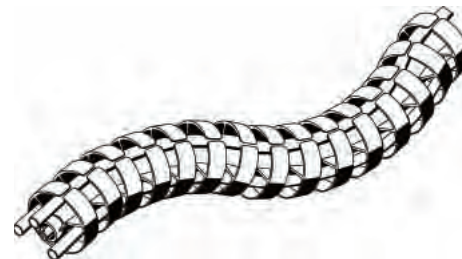
Vertical Standing



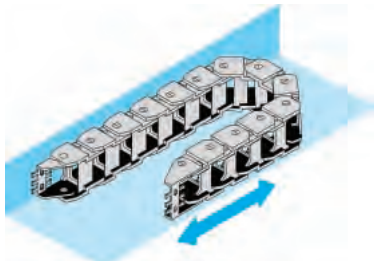
Vertical Hanging



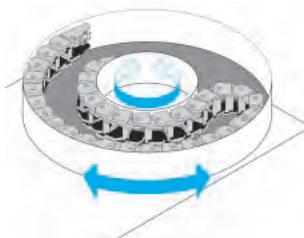
3D Multi-Axis



Side Mount



Circular



Rotary

