
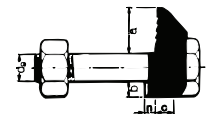
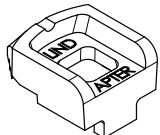

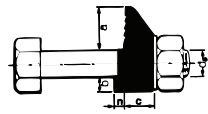
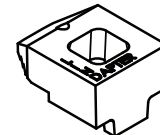

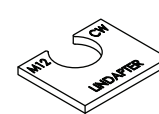

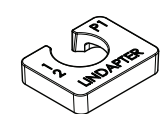


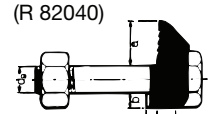
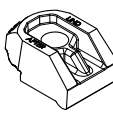

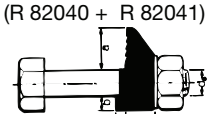
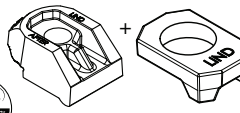

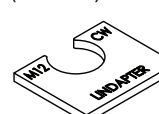

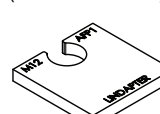


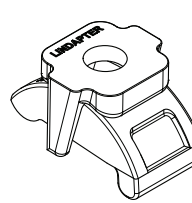

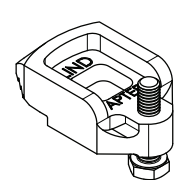

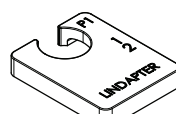

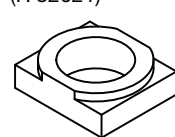




## Product overview



Note: When inquiring about 7 character part numbers beginning with R 82, please preface the number with R264-. Example: R 82045 should be R264-r 82045

| Girder clamps   |   |   |  |   |
|---|---|---|--|---|
| <b>Type A and B</b>   |   | <b>Accessories for type A and B</b>   |  | <b>Application examples</b><br>  |
| <b>Type A</b><br>(R 82001)<br><br><br>      | <b>Type B</b><br>(R 82002)<br><br><br>                       | <b>Type CW</b><br>(R 82011)<br><br><br>clipped washers for adjustment of different flange thicknesses                  | <b>Type P1k/P2k</b><br>(R 82012/82013)<br><br><br>  |   |
| <b>Girder clamp type AF</b>   |   | <b>Accessories for type AF</b>  |  | <b>Examples of use</b><br><br>Clamps for high friction loads with adjustment of flange inclinations of up to 10°. Type AF can be used in combination with type CF.  |
| <b>Type AF</b><br>(R 82040)<br><br><br> | <b>Type AF + AFW</b><br>(R 82040 + R 82041)<br><br><br> | <b>Type AFCW</b><br>(R 82042)<br><br><br>clipped washers for adjustment of different flange thicknesses              | <b>Type AFP1/AFP2</b><br>(R 82043/82044)<br><br> |   |
| <b>Girder clamp of type LR and D2</b>   |   | <b>Accessories for type LR and D2</b>   |  | <b>Examples of use</b><br><br><b>Type LR</b><br>Adjustable two-part clamp with large clamping range. Adjustment of flange inclinations by up to 15°.<br><b>Type D2</b><br>Clamp with adjustable screw for large clamping range. Adjustment of flange inclinations by up to 5°. |
| <b>Type LR</b><br>(R 82010)<br><br>  | <b>Type D2</b><br>(R 82007)<br><br>   | <b>Type P1L/P2L</b><br>(R 82015/82016)<br><br><br>clipped washers for adjustment of different flange thicknesses | <b>Type W</b><br>(R 82021)<br><br>recess filling plates for type D2   |   |
|   |   | <b>Type T</b><br>(R 82018)<br><br><br>to cancel the slope of clamping nose of type D2                            |  |   |

(R = R264 - article number)

Information on the dimensioning and loads can be found in the Lindapter catalogue.

This can be requested directly from Maryland Metrics or downloaded from [www.lindapter.de](http://www.lindapter.de).