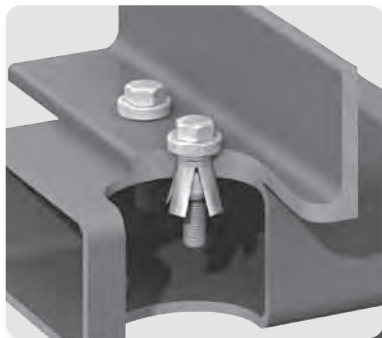


Faster steel construction

- No drilling or welding
- Safe, fast installation
- Reduced labour costs
- Easy to adjust on-site

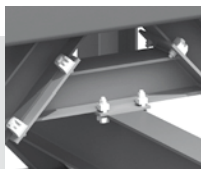
Hollo-Bolt® also available



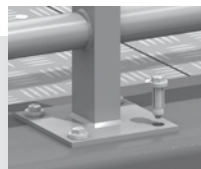
- No hot work permits
- Only hand tools needed
- No damage to steelwork
- Expert installation advice

lindapter®

www.lindapter.com



Steelwork Fixings



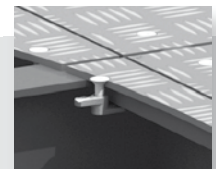
Cavity Fixings



Decking Fixings



Support Fixings



Floor Fixings