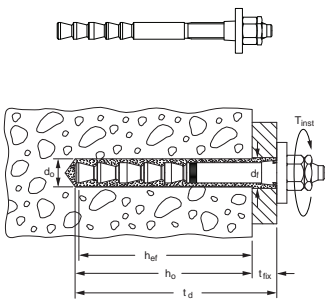

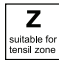
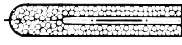


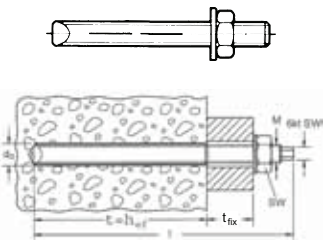






Chemical fixings

R264 - article/Anchor type	Dimensions	12 x 100/25	12 x 100/50	16 x 125/25	16 x 125/50
88579 FHB-A dyn    <p>For use with injection motor FIS HB (R264 - articles 88522 and 88578)</p>	d_0	14	14	18	18
	t_d	130	155	155	180
	$t = h_{ef}$	100	100	125	125
	t_{fix}	8 - 25	8 - 50	10 - 25	10 - 50
	d_f	15	15	19	19
	wrench size	19	19	24	24
	building materials	BN			
	Dimensions	20 x 170/50	24 x 220/50		
	d_0	24	28		
	t_d	225	275		
$t = h_{ef}$	170	220			
t_{fix}	12 - 50	14 - 50			
d_f	25	29			
wrench size	30	36			
building materials	BN				

R264 - article/Anchor type	Dimensions	8	10	12	16	20	24	30
88533 RM    <p>For use with RGM bolts. Observe the period of hardening according to the package's specifications.</p>	d_0	10	12	14	18	25	28	35
	$t = h_{ef}$	80	90	110	125	170	210	280
	matching for RG	M 8	M 10	M 12	M 16	M 20	M 24	M 30
	building materials	BN, VD						

R264 - article/Anchor type	Dimensions	M 8x110	M 10x130	M 12x160	M 16x190
88534 RG M    <p>For use with RM resin capsules (R264 - article 88533)</p>	d_0	10	12	14	18
	$t = h_{ef}$	80	90	110	125
	t_{fix}	13	20	25	35
	wrench size hexagon	5	7	8	12
	wrench size nut	13	17	19	24
	building materials	BN, VD			
	Dimensions	M 20x260	M 24x300	M 30x380	
	d_0	25	28	35	
	$t = h_{ef}$	170	210	280	
	t_{fix}	65	65	65	
wrench size hexagon	12	-	-		
wrench size nut	30	36	46		
building materials	BN, VD				

Key → TI-116, building materials → TI-109