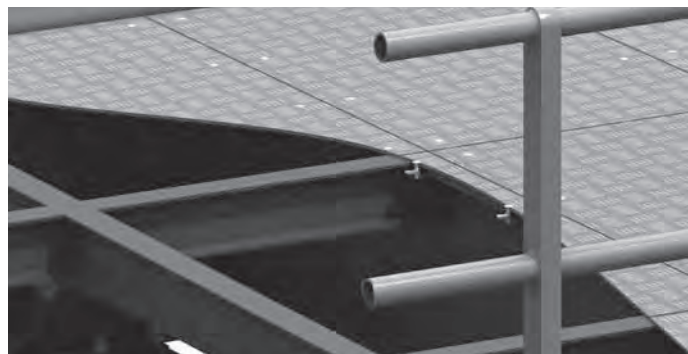


Areas of application

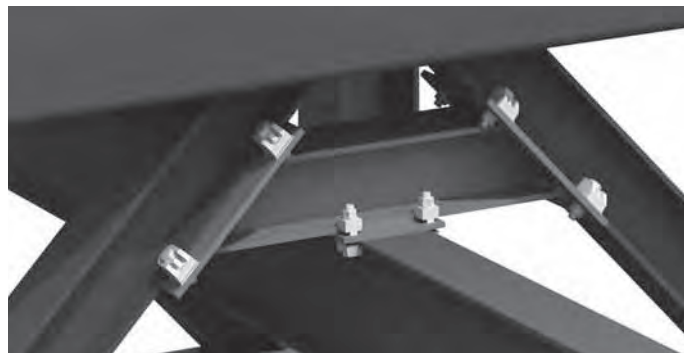
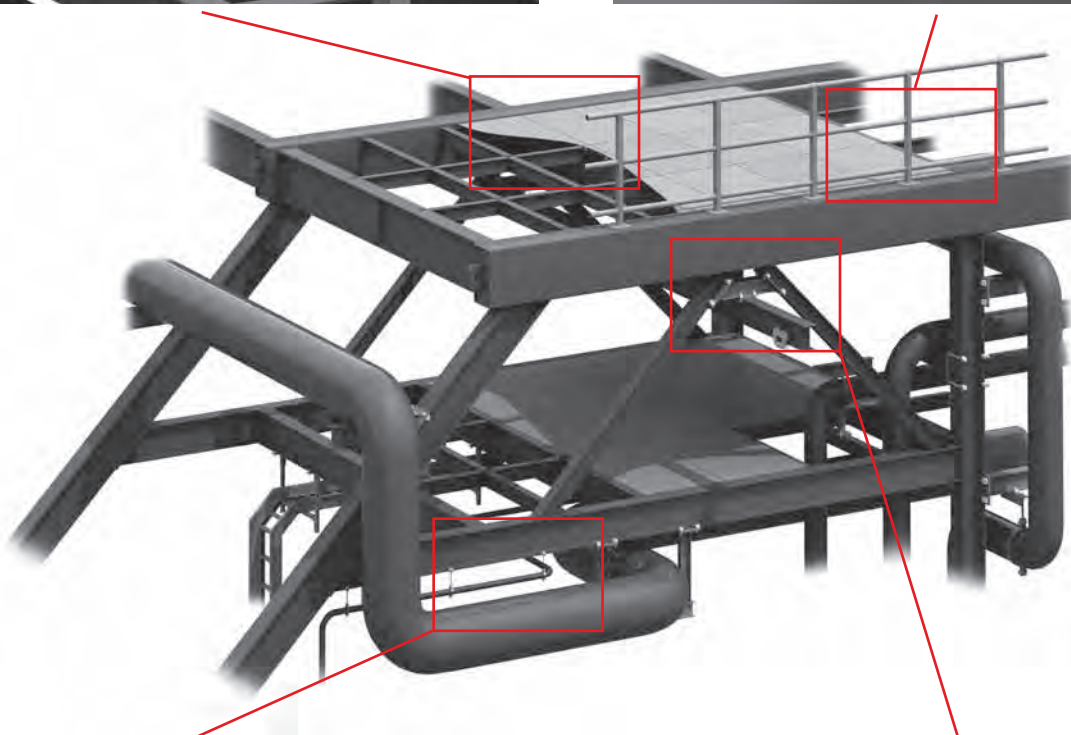
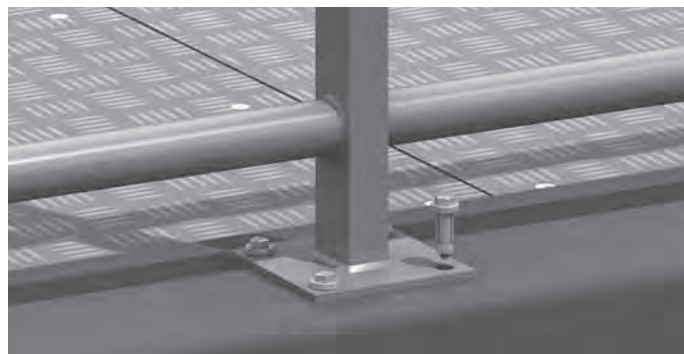
Floor Fixings

It is now possible to connect steel flooring to supporting steelwork without on-site drilling or welding for a fast, low cost operation. Lindapter fixings allow installation to be carried out safely from above, often by one person, without elevated floors thus significantly reducing costs.



Cavity Fixings

The legendary Hollo-Bolt® and Lindibolt® allow fast, cost-effective connections to SHS and other hollow sections, or conventional steelwork where access is available from one side only. The Hollo-Bolt can be used as a primary structural connection as detailed in the SCI/BCSA publication 'Joints in Steel Construction – Simple Connections'. Plug-like fixing element for hollow profiles, pipes and other constructions which are difficult to access from the rear.



Support Fixings

Lindapter provides easy-to-install solutions for supporting building services from structural or secondary beams, including: the suspension of HVAC equipment, pipe work, fire protection/sprinkler systems, suspended ceilings and electrical equipment.

Steelwork Fixings

Lindapter has pioneered the development of steelwork clamping systems for over 75 years, and continues to innovate with their unique and proven concept: eliminate the need to drill or weld, to reduce installation time and labour costs. Lindapter steelwork fixings and girder clamps transform this concept into reality and are ideal for new construction and the refurbishment of existing structures.