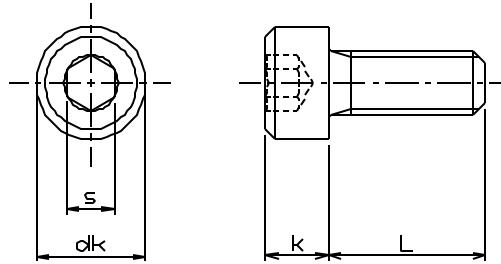


Due to present currency values the original 2002 prices shown in this chapter need to be multiplied by 1.5

**PPS (Polyphenylenesulfide)
HEX SOCKET CAP SCREW**

| | | | | | |
|----|-----|----|-----|----|----|
| | M3 | M4 | M5 | M6 | M8 |
| dk | 5.5 | 7 | 8.5 | 10 | 13 |
| k | 3 | 4 | 5 | 6 | 8 |
| s | 2.5 | 3 | 4 | 5 | 6 |



Please order this product by series number R830-912PPS-DIAMETER x LENGTH

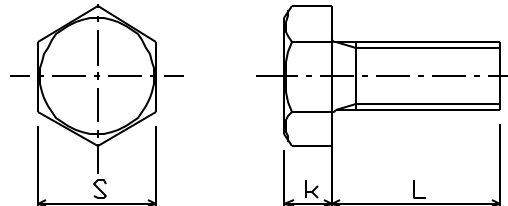
Example: R830-912PPS-M4x10

USD/100pcs

| L | M3 | | M4 | | M5 | | M6 | | M8 | |
|----|------------|----------|------------|----------|------------|----------|------------|----------|------------|----------|
| | unit price | box q'ty | unit price | box q'ty | unit price | box q'ty | unit price | box q'ty | unit price | box q'ty |
| 6 | \$33.00 | 100 | \$39.00 | 100 | | | | | | |
| 8 | \$36.00 | 100 | \$45.00 | 100 | | | | | | |
| 10 | \$39.00 | 100 | \$48.00 | 100 | \$72.00 | 100 | | | | |
| 12 | \$48.00 | 100 | \$57.00 | 100 | \$78.00 | 100 | | | | |
| 15 | \$57.00 | 100 | \$63.00 | 100 | \$99.00 | 100 | \$156.00 | 100 | \$300.00 | 50 |
| 20 | \$63.00 | 100 | \$72.00 | 100 | \$117.00 | 100 | \$195.00 | 100 | \$330.00 | 50 |
| 25 | | | | | \$156.00 | 100 | \$240.00 | 100 | \$390.00 | 50 |
| 30 | | | | | \$195.00 | 100 | \$300.00 | 100 | \$480.00 | 50 |
| 40 | | | | | | | \$360.00 | 100 | \$600.00 | 50 |

**PPS (Polyphenylenesulfide)
HEX CAP SCREW**

| | | | | | | |
|---|-----|-----|----|-----|-----|-----|
| | M4 | M5 | M6 | M8 | M10 | M12 |
| s | 7 | 8 | 10 | 13 | 17 | 19 |
| k | 2.8 | 3.5 | 4 | 5.5 | 7 | 8 |



Please order this product by series number R830-933PPS-DIAMETER x LENGTH

Example: R830-933PPS-M4x10

USD/100pcs

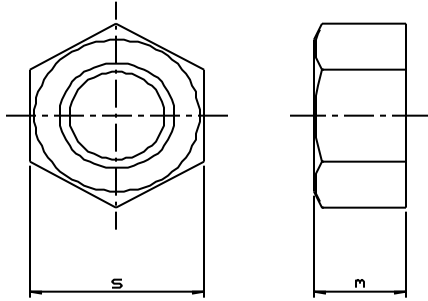
| L | M4 | | M5 | | M6 | | M8 | | M10 | | M12 | |
|----|------------|----------|------------|----------|------------|----------|------------|----------|------------|----------|------------|----------|
| | unit price | box q'ty | unit price | box q'ty | unit price | box q'ty | unit price | box q'ty | unit price | box q'ty | unit price | box q'ty |
| 10 | | | \$54.00 | 100 | \$90.00 | 100 | | | | | | |
| 15 | \$48.00 | 100 | \$75.00 | 100 | \$120.00 | 100 | \$210.00 | 50 | | | | |
| 20 | | | \$90.00 | 100 | \$150.00 | 100 | \$240.00 | 50 | \$750.00 | 50 | \$1,440.00 | 50 |
| 25 | | | | | \$180.00 | 100 | \$300.00 | 50 | \$780.00 | 50 | \$1,680.00 | 50 |
| 30 | | | \$150.00 | 100 | \$210.00 | 100 | \$360.00 | 50 | \$870.00 | 50 | \$1,920.00 | 50 |
| 40 | | | | | \$270.00 | 100 | \$450.00 | 50 | \$900.00 | 50 | \$1,980.00 | 50 |
| 50 | | | | | | | \$540.00 | 50 | \$960.00 | 50 | \$2,040.00 | 50 |

note: M8x50 and M10x50 are partial thread. (thread length: 25mm)

MARYLAND METRICS
 phones: (410)358-3130 (800)638-1830 faxes: (410)358-3142 (800)872-9329
 URL: <http://mdmetric.com> E-mail: techinfo@mdmetric.com
 P.O.Box 261 Owings Mills, MD 21117 USA
FASTENER CATALOG - CHAPTER S3

Many items in this chapter are not stocked in the US. Please allow adequate lead time for delivery and factory minimum order requirements.

**PPS (Polyphenylenesulfide)
HEX NUT**

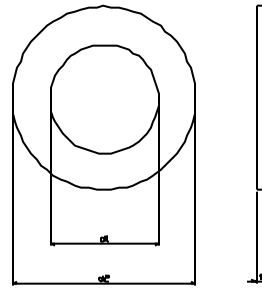


Please order this product by series number R830-555PPS-DIAMETER
Example: R830-555PPS-M4

USD/100pcs

| | s | m | box q'ty | 1-9 box | 10 & above |
|-----|-----|-----|----------|----------|------------|
| M3 | 5.5 | 2.4 | 100 | \$24.00 | call us |
| M4 | 7 | 3.2 | 100 | \$30.00 | call us |
| M5 | 8 | 4 | 100 | \$45.00 | call us |
| M6 | 10 | 5 | 100 | \$90.00 | call us |
| M8 | 13 | 6.5 | 100 | \$150.00 | call us |
| M10 | 17 | 8 | 100 | \$420.00 | call us |
| M12 | 19 | 10 | 100 | \$540.00 | call us |

**PPS (Polyphenylenesulfide)
ROUND WASHER**



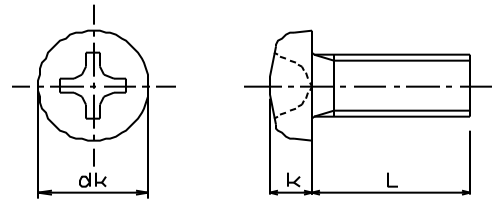
Please order this product by series number R830-125PPS-DIAMETER
Example: R830-125PPS-M4

USD/100pcs

| | d2 | t | box q'ty | 1-9 box | 10 & above |
|-----|------|-----|----------|----------|------------|
| M3 | 7 | 0.5 | 100 | \$24.00 | call us |
| M4 | 9 | 0.8 | 100 | \$27.00 | call us |
| M5 | 10 | 1 | 100 | \$33.00 | call us |
| M6 | 12.5 | 1.6 | 100 | \$36.00 | call us |
| M8 | 17 | 1.6 | 100 | \$96.00 | call us |
| M10 | 21 | 2 | 100 | \$111.00 | call us |
| M12 | 24 | 2.5 | 100 | \$159.00 | call us |

**PPS (Polyphenylenesulfide)
PHILLIPS PAN HEAD MACHINE SCREW**

| | M2 | M2.6 | M3 | M4 | M5 | M6 |
|----|-----|------|-----|-----|-----|------|
| dk | 3.5 | 4.5 | 5.5 | 7 | 9 | 10.5 |
| k | 1.3 | 1.7 | 2 | 2.6 | 3.3 | 3.9 |



Please order this product by series number R830-B1111PPS-DIAMETER x LENGTH
Example: R830-B1111PPS-M4x10

USD/100pcs

| L | M2 | | M2.6 | | M3 | | M4 | | M5 | | M6 | |
|----|------------|----------|------------|----------|------------|----------|------------|----------|------------|----------|------------|----------|
| | unit price | box q'ty | unit price | box q'ty | unit price | box q'ty | unit price | box q'ty | unit price | box q'ty | unit price | box q'ty |
| 4 | \$24.00 | 100 | | | | | | | | | | |
| 5 | \$24.00 | 100 | | | \$24.00 | 100 | | | | | | |
| 6 | \$24.00 | 100 | \$24.00 | 100 | \$24.00 | 100 | \$30.00 | 100 | | | | |
| 8 | \$27.00 | 100 | \$27.00 | 100 | \$27.00 | 100 | \$33.00 | 100 | \$45.00 | 100 | | |
| 10 | \$30.00 | 100 | \$30.00 | 100 | \$30.00 | 100 | \$36.00 | 100 | \$54.00 | 100 | \$90.00 | 100 |
| 12 | \$36.00 | 100 | \$36.00 | 100 | \$36.00 | 100 | \$42.00 | 100 | \$60.00 | 100 | \$105.00 | 100 |
| 15 | | | | | \$42.00 | 100 | \$48.00 | 100 | \$75.00 | 100 | \$120.00 | 100 |
| 16 | | | | | \$45.00 | 100 | \$51.00 | 100 | \$84.00 | 100 | | |
| 20 | | | | | \$48.00 | 100 | \$54.00 | 100 | \$90.00 | 100 | \$150.00 | 100 |
| 25 | | | | | \$54.00 | 100 | \$60.00 | 100 | \$120.00 | 100 | \$180.00 | 100 |
| 30 | | | | | \$60.00 | 100 | \$66.00 | 100 | \$150.00 | 100 | \$210.00 | 100 |

MARYLAND METRICS

phones: (410)358-3130 (800)638-1830 faxes: (410)358-3142 (800)872-9329
URL: <http://mdmetric.com> E-mail: techinfo@mdmetric.com
P.O.Box 261 Owings Mills, MD 21117 USA

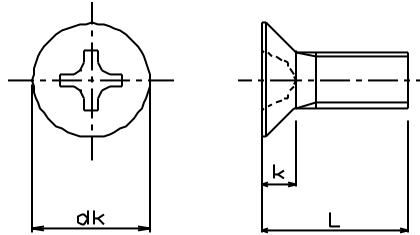
FASTENER CATALOG - CHAPTER S3

Many items in this chapter are not stocked in the US. Please allow adequate lead time for delivery and factory minimum order requirements.

Due to present currency values the original 2002 prices shown in this chapter need to be multiplied by 1.5

**PPS (Polyphenylenesulfide)
PHILLIPS FLAT HEAD MACHINE SCREW**

| | | | | |
|----|------|-----|-----|-----|
| | M3 | M4 | M5 | M6 |
| dk | 6 | 8 | 10 | 12 |
| k | 1.75 | 2.3 | 2.8 | 3.4 |



Please order this product by series number R830-B1111FH/PPS-DIAMETER x LENGTH

Example: R830-B1111FH/PPS-M4x10

USD/100pcs

| L | M3 | | M4 | | M5 | | M6 | |
|----|------------|----------|------------|----------|------------|----------|------------|----------|
| | unit price | box q'ty | unit price | box q'ty | unit price | box q'ty | unit price | box q'ty |
| 6 | \$24.00 | 100 | | | | | | |
| 8 | \$27.00 | 100 | \$33.00 | 100 | | | | |
| 10 | \$30.00 | 100 | \$36.00 | 100 | \$54.00 | 100 | \$90.00 | 100 |
| 15 | \$42.00 | 100 | \$48.00 | 100 | \$75.00 | 100 | \$120.00 | 100 |
| 20 | \$48.00 | 100 | \$54.00 | 100 | \$90.00 | 100 | \$150.00 | 100 |
| 25 | \$54.00 | 100 | \$60.00 | 100 | \$120.00 | 100 | \$180.00 | 100 |

MARYLAND METRICS

phones: (410)358-3130 (800)638-1830 faxes: (410)358-3142 (800)872-9329

URL: <http://mdmetric.com> E-mail: techinfo@mdmetric.com

P.O.Box 261 Owings Mills, MD 21117 USA

FASTENER CATALOG - CHAPTER S3

Many items in this chapter are not stocked in the US. Please allow adequate lead time for delivery and factory minimum order requirements.