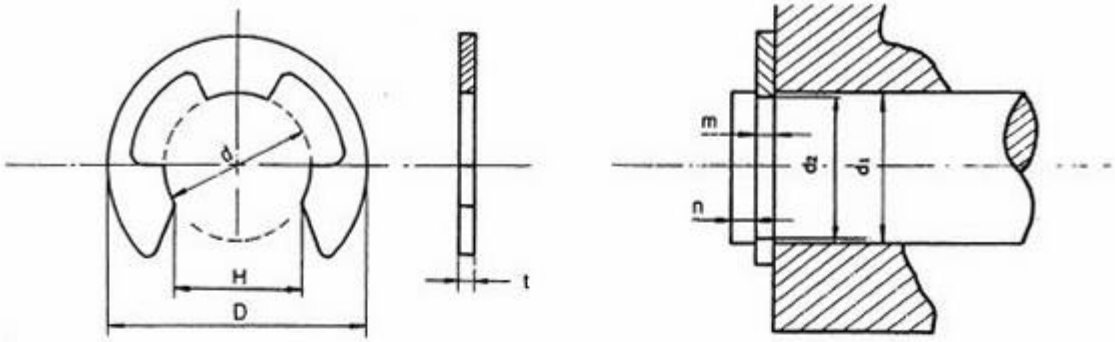


E-TYPE RETAINING RINGS (B) 304 STAINLESS STEEL**



dimensions in mm

Size No.	Size	Shaft Dia d1	Retaining Ring				Groove dimension		
			ID d	OVD D	Thickness t	H	Diameter d2	Width m	n(min)
12013	TE-2	1.5~2	1.3	5	0.4	1	1.3	0.5	1
12913	3	1.5~2	1.3		±0.25		1		
12014	4	2~2.5	1.4	3.5	0.3	1.1	1.4	0	
12016	5	2~2.8	1.6		±0.03		1.2	1.6	
12019	6	2.5~3	1.9	6.5	0.5	1.5	1.9	±0.05	
12819	7	2.5~3	1.9		0.4		1.5		
12020	9	3~4	2	6.5	0.4	1.6	2	0	
12023	11	3~4	2.3		±0.08		1.8		
12024	12	3.5~4.5	2.4	5.8	0.4	1.9	2.4	±0.08	
12025	13	4~5	2.5		0.4		2		
12029	14	4.5~6	2.9	7.2	0.65	2.3	2.9	±0.08	
12030	15	4.5~6	3		0.5		2.4		3
12031	16	4.5~6	3.1	9.5	0.5	2.5	3.1	0	
12032	16-2	4.5~6	3.2		±0.2		2.7		3.2
12033	17	5~7	3.3	10.5	0.5	2.7	3.3	±0.1	
12036	18	5~7	3.6		0.5		2.9		3.6
12037	19	5~7	3.7	8.5	0.65	3	3.7	±0.05	
12038	19-2	5~7	3.8		0.5		2.4		3.8
12040	20	6~8	4	10	0.6	3.3	4	±0.1	
12041	20-2	7~9	4.1		0.4		3.6		4.1
12045	20-3	7~9	4.5	10.5	0.5	3.8	4.5	±0.1	
12047	21	7~9	4.7		0.6		3.8		4.7
12050	22	7~9	5	11	0.6	4.1	5	±0.1	
12060	23	7~9	6		0		4.9		6
12070	24	8~11	7	14	0.9	5.7	7	0	
12076	25	9~12	7.6		±0.3		6.2		7.6
12080	26	9~12	8	16	1	6.5	8	±0.15	
12090	27	10~14	9		0		7.7		9
12120	29	13~18	12	24	1	10.4	12	±0.15	
12146	30	15.5~20	14.6		0		12.5		14.7
12209	31	22~26	20.9	±0.15	1.2	17	21	±0.15	
									2

SERIES R928-112 How to order: R928-series number-material code-surface code-size number

Examples: R928-112-02-01-12025

material code 02 = JIS SUS304CSP HRC 37 ~ 44

surface code 01 = Polished (SUS)

Many items in chapter S are not stocked in the USA. Please allow adequate lead time for delivery and factory minimum order requirements.

copyright 2005 maryland metrics ver a15b

MARYLAND METRICS

phones: (410)358-3130 (800)638-1830 faxes: (410)358-3142 (800)872-9329

URL: <http://mdmetric.com> Email: sales@mdmetric.com

P.O. Box 261 Owings Mills, MD 21117 USA

FASTENER CATALOG - CHAPTER S