

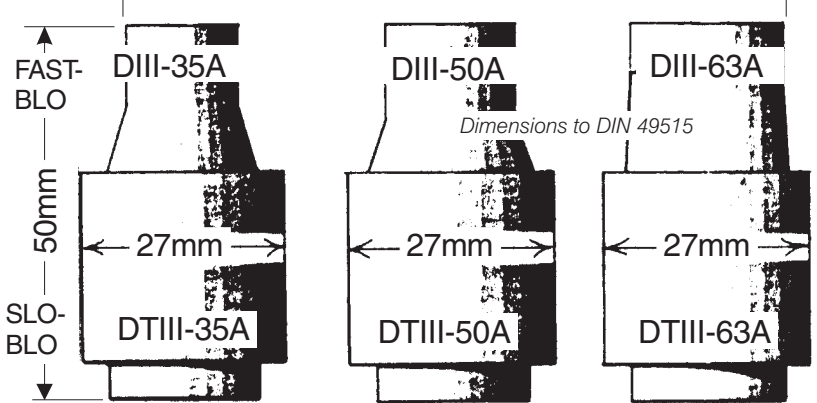
## EUROPEAN FUSE CHART\*\*

(Also includes JAPANESE FUSE INFORMATION)

## ACTUAL SIZE DRAWINGS

### DIAZED (BOTTLE SHAPED) FUSES

SIZE E 33

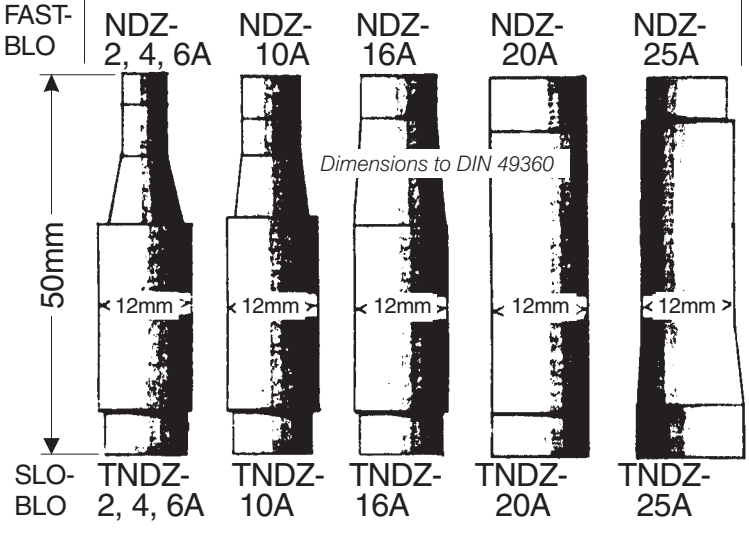


### EUROPEAN FUSE MANUFACTURERS

- |                  |                    |
|------------------|--------------------|
| BOGENSCHUTZ      | LINDNER            |
| BRUSH            | MEM                |
| CRABTREE         | SIBA               |
| DORMAN SMITH     | SIEMENS            |
| EFEN             | WEBER              |
| ELU              | WICKMAN            |
| ENGLISH ELECTRIC | (Plus many others) |
| LEGRAND          |                    |

\*\*ALSO AVAILABLE, BUT NOT ILLUSTRATED ARE ADDITIONAL EUROPEAN TYPES PLUS JAPANESE FUSE TYPES

SIZE E 16

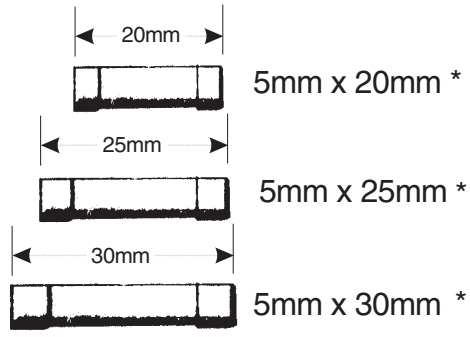


Series DIV & DV Diazed Fuses (not shown) are also available to 200A

Also available are:  
For Diazed fuses:  
Screw caps  
Adapter screws  
Fuse base covers  
Fuse bases  
Fuse tools

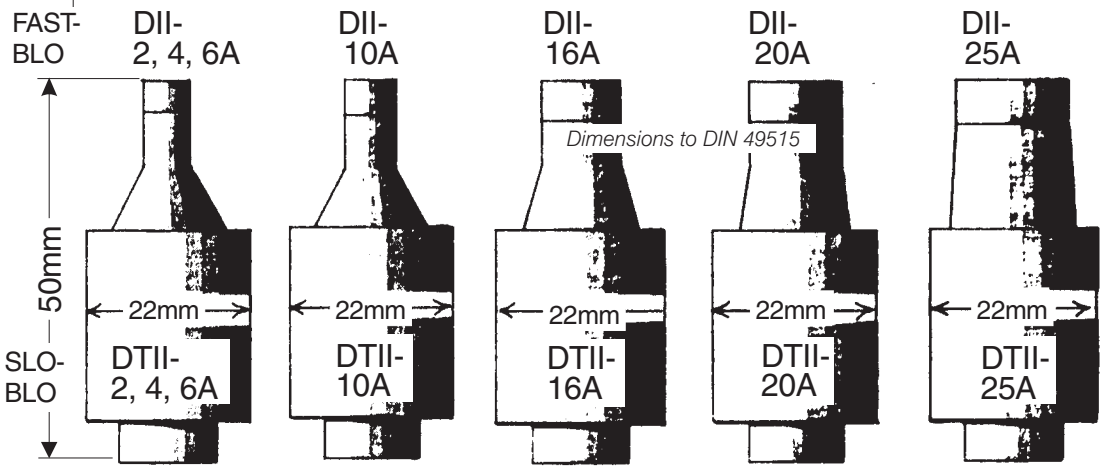
For Neozed fuses:  
Screw caps  
Adapter rings  
Fuse base covers  
Fuse bases  
Fuse tools

### MINIATURE GLASS FUSES



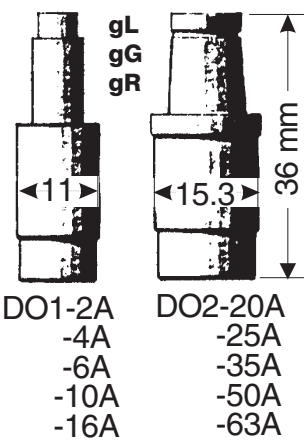
\* Specify either FF (SUPER FAST BLO), F (FAST BLO), M (MEDIUM BLO), T (SLO BLO), and CURRENT in mA (MILLIAMPS) or A (AMPS). Example: 5 X 20 - F6A

SIZE E 27



### NEOZED FUSES

Dimensions to DIN 49522



Series D03 (22.5 x 43 mm) -80A, -100A is also available.