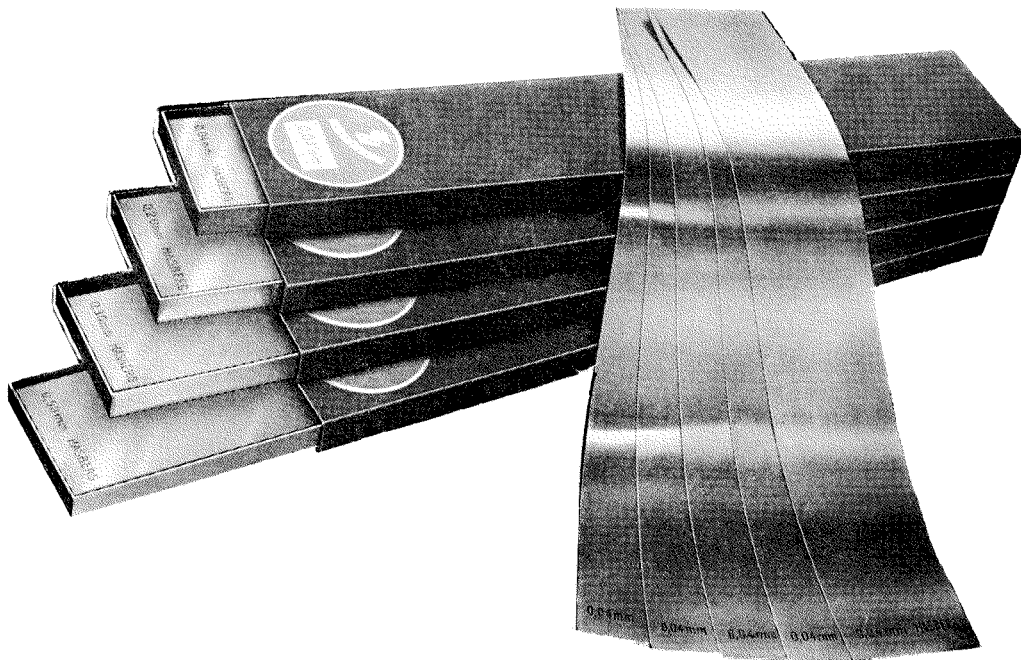




HASBERG

Precision Thickness Gauge Strip
and Calibrated Shim Foils
0,005 – 2,00 mm thick



of
high-grade carbon steel

Ck 101 (AISI 1095), hardened, 6 – 12,7 – 25 and 50 mm wide

high-grade stainless steel

X5CrNi18 9 (AISI 304) resp. X12CrNi17 7 (AISI 301), cold-rolled to spring grade hardness, 100 and 150 mm wide

closely toleranced brass foil

CuZn37 (C 27400), hard, 150 mm wide

Extremely close thickness
tolerances T 3

HASBERG PRODUCTS ARE IMPORTED EXCLUSIVELY IN THE USA BY MARYLAND METRICS



HASBERG

PRECISION THICKNESS
GAGE STRIPS & SHEETS

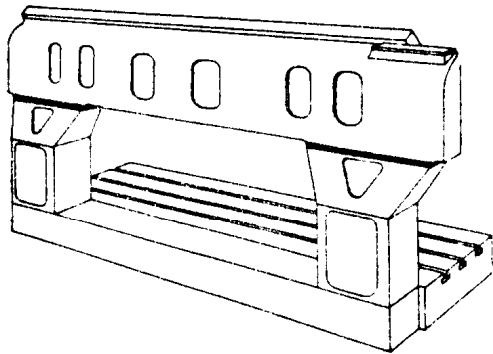
STAINLESS & BRASS
GAGE STRIPS & SHEETS

CALIBRATED SHIM SHEETS
FROM 0.005 mm TO 2.00 mm

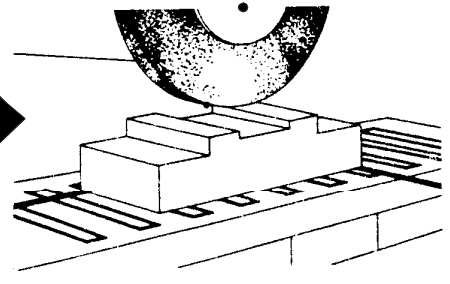
AVAILABLE IN MANY DIFFERENT TYPES

HASBERG Precision Thickness Gage Strip is an indispensable aid in production, assembly and quality control work. It is an essential element of a properly equipped tool room.

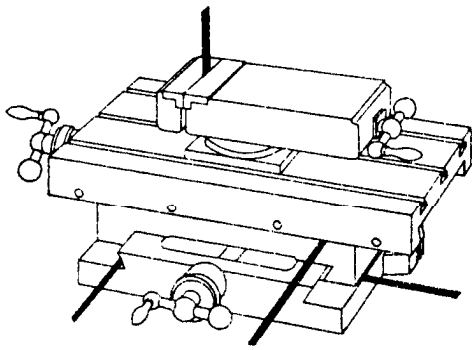
HASBERG Precision Thickness Gage strip is used as a shim as well as a feeler gage in aligning and adjusting machine components in production and assembly work, in jig and tool manufacturing, in tolerance measuring operations of every description, in checking fits such as dovetail guides, in scraping and shaving work and assembling precision parts, in adjusting inking and printing rollers, in aligning profiling templates for profile grinders, in checking valve clearances and spark plug gaps, and in an infinity of other uses.



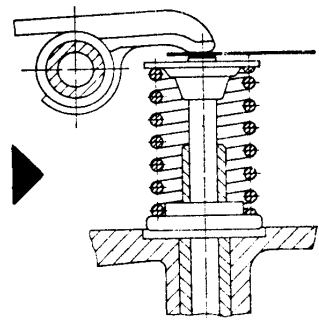
as shims and liners in assembling operations



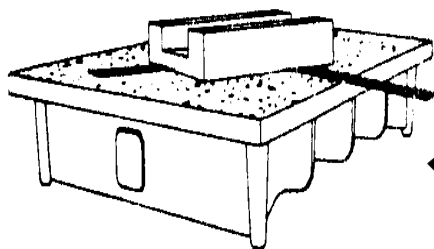
for aligning the workpiece on surface grinders, milling cutters and planers



for checking dovetail guides and fits



for adjusting the valve clearance



as check foil in shaving or scraping precision parts

NON-STANDARD & SPECIAL PRODUCTS

Non-standard and special shapes, sizes and custom designs are also available in all 3 materials: steel, stainless steel, and brass. Please contact us for a quotation.

THE 'HASBERG' NAME ASSURES ACCURACY

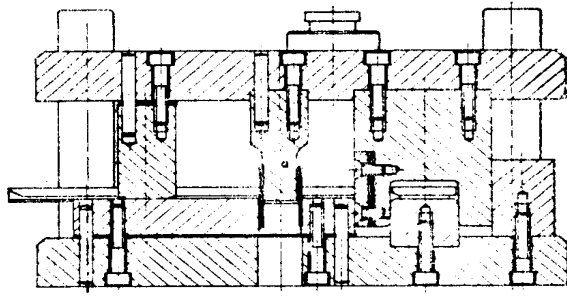
For most applications, the 12.7 mm (1/2") width of HASBERG Precision Thickness Gage Strip in the dispenser case will be used. The quality, accuracy and finish of the strip is assured by modern production methods. Top quality thickness gage type steel (European steel grade Ck101 ~ to AISI 1095) with a tensile strength of approx. 1600 - 2300 N/mm~ is cold rolled, hardened and polished to obtain surfaces of extreme flatness and most importantly to meet the tight tolerances required by the T3 international standards (see chart: Thickness Gage Tolerances). The size (thickness) number is indelibly etched at close intervals to prevent any mixups and the need for constant checking! Storage cases of plastic with stacking edges and a dispensing slot for all thicknesses are designed to protect the sensitive material from dirt and rust and to simplify storage. Thicker sizes are supplied in special cases featuring an angular design for easier dispensing, but more importantly ensuring perfectly safe storage of this very springlike steel strip. No risk of an accident caused by a jumping steel strip.

ALSO AVAILABLE IN STAINLESS STEEL & BRASS

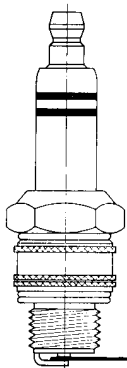
Where the standard width of 12.7 mm is insufficient, we also supply Precision Thickness Gage Strip in widths of 6 mm (0.24"), 25 mm (0.98"), and 50 mm (1.97") in cases containing a 5 meter (16.4') lengths. Available also are the Precision Calibrated Shim Foil sheets 50 x 300 mm (1.97" x 11.8") packaged 10 sheets per plastic box, or packaged in several different assortments.

For special applications, Stainless Steel (European grade X5CrNi18 9 ~to AISI 304 and also X12CrNi17 7 ~to AISI 301) Thickness Gage Strips and Sheets of 100 mm and 150 mm (3.94" & 5.91") width are produced. This Stainless steel has a tensile strength of about 1600 - 1800 N/mm~, and is cold rolled and polished to spring grade hardness, and its edges are trimmed. Stainless strip is packaged in lengths of 5 meters per case. Stainless sheets of 500 mm (19.7") length are packaged in slide boxes of 5 sheets of one size, or packaged in assortments of 1 sheet per size.

Brass; hardened (European grade CuZn37 [C27400] is also available in sheets of 150 mm wide.



▲
for measuring the clearance of cutting tools and as a liner following sharpening work



◀ for checking the electrode gap of spark plugs

THICKNESS GAGE TOLERANCES

Thickness mm	+/-
0.005	0.001
0.01 to 0.03	0.002
0.04 to 0.06	0.003
0.07 to 0.12	0.004
0.15 & 0.18	0.005
0.20 & 0.22	0.006
0.25 & 0.30	0.007
0.35	0.008
0.40 & 0.45	0.009
0.50 & 0.60	0.010
0.70	0.012
0.80 to 1.00	0.013
1.50 to 2.00	0.025

NOTE: This is very old data. Pricing is no longer valid & some part numbers are no longer available.



MARYLAND METRICS

Phones: (800)638-1830 (410)358-3130 FAXes: (800) USA-9-FAX = [800-872-9329] (410)358-3142

HASBERG PRECISION THICKNESS GAGE (FEELER GAGE) STRIP IN ROLLS

THICKNESS mm	- (inch equivalent) decimal	12.7mm	12.7mm	12.7mm	12.7mm	12.7mm	12.7mm	6mm	25mm	50mm	100mm	150mm
		WIDE 1M	WIDE 2M	WIDE 5M	WIDE 10M	WIDE 5M	WIDE 5M	WIDE 5M	WIDE 5M	WIDE 5M	WIDE 5M	WIDE 5M
		Price per Roll	Price per Roll	Price per Roll	Price per Roll	Price per Roll	Price per Roll	Price per Roll	Price per Roll	Price per Roll	Price per Roll	Price per Roll
0.005	-(0.00002)	-G5A* \$38.56	-G5B* \$59.75	-G5C* \$108.32	-G5D* \$202.25							
0.01	-(0.00039)	-01A \$31.94	-01B \$49.57	-01C \$89.82	-01D \$167.82							
0.02	-(0.00079)	-02A \$21.31	-02B \$33.07	-02C \$59.88	-02D \$112.06							
0.025	-(0.00098)											
0.03	-(0.00118)	-03A \$8.19	-03B \$12.63	-03C \$22.75	-03D \$43.32							
0.04	-(0.00158)	-04A \$8.29	-04B \$12.63	-04C \$22.75	-04D \$43.32							
0.05	-(0.00197)	-05A \$8.29	-05B \$12.63	-05C \$22.75	-05D \$43.32	-05E \$22.75						
0.06	-(0.00236)	-06A \$5.50	-06B \$8.32	-06C \$15.13	-06D \$28.19							
0.07	-(0.00276)	-07A \$5.50	-07B \$8.32	-07C \$15.13	-07D \$28.19							
0.075	-(0.00295)											
0.08	-(0.00315)	-08A \$5.50	-08B \$8.32	-08C \$15.13	-08D \$28.19	-08E \$15.13						
0.09	-(0.00354)	-09A \$5.50	-09B \$8.32	-09C \$15.13	-09D \$28.19							
0.10	-(0.00394)	-10A \$5.63	-10B \$8.57	-10C \$15.57	-10D \$29.00	-10E \$15.57						
0.12	-(0.00472)	-12A \$5.63	-12B \$8.57	-12C \$15.57	-12D \$29.00	-12E \$15.57						
0.15	-(0.00591)	-15A \$5.63	-15B \$8.57	-15C \$15.57	-15D \$29.00	-15E \$15.57						
0.18	-(0.00709)	-18A \$5.63	-18B \$8.57	-18C \$15.57	-18D \$29.00							
0.20	-(0.00787)	-20A \$5.63	-20B \$8.57	-20C \$15.57	-20D \$29.00	-20E \$15.57						
0.22	-(0.00866)					-22E \$15.57						
0.25	-(0.00984)	-25A \$5.63	-25B \$8.57	-25C \$15.57	-25D \$29.00	-25E \$15.57						
0.30	-(0.01181)	-30A \$5.63	-30B \$8.57	-30C \$15.57	-30D \$29.00	-30E \$15.57						
0.35	-(0.01378)	-35A \$6.13	-35B \$9.63	-35C \$17.38	-35D \$32.32							
0.40	-(0.01575)	-40A \$6.13	-40B \$9.63	-40C \$17.38	-40D \$32.32	-40E \$17.38						
0.45	-(0.01772)	-45A \$6.13	-45B \$9.63	-45C \$17.38	-45D \$32.32							
0.50	-(0.01969)	-50A \$6.13	-50B \$9.63	-50C \$17.38	-50D \$32.32	-50E \$17.38						
0.60	-(0.02362)	-60A \$8.10	-60B \$15.57	-60C \$28.38	-60D \$53.00							
0.70	-(0.02756)	-70A \$8.10	-70B \$15.57	-70C \$28.38	-70D \$53.00							
0.80	-(0.03150)	-80A \$8.10	-80B \$15.57	-80C \$28.38	-80D \$53.00							
0.90	-(0.03543)	-90A \$8.10	-90B \$15.57	-90C \$28.38	-90D \$53.00							
1.0	-(0.03937)	-A0A \$8.10	-A0B \$15.57	-A0C \$28.38	-A0D \$53.00							

HASBERG PRECISION THICKNESS GAGE (FEELER GAGE) IN ROLLS & SHEETS

Prices are subject to change.

THICKNESS mm	- (inch equivalent) decimal	150mm	50x	100x	150x	150x
		WIDE 5m	300mm SHEETS	500mm SHEETS	500mm SHEETS	500mm SHEETS
		Price per Roll	Price per Package	Price per Package	Price per Package	Price per Package
0.005	-(0.00002)					
0.01	-(0.00039)		-01K* \$113.56			
0.02	-(0.00079)		-02K* \$62.38	-02L* \$86.50		
0.025	-(0.00098)	-B5N** \$177.50			-B5M* \$96.94	-B5P** \$95.82
0.03	-(0.00118)		-03K \$44.82			
0.04	-(0.00158)		-04K \$44.82			
0.05	-(0.00197)	-05N** \$143.06	-05K \$44.82	-05L* \$52.38	-05M* \$78.19	-05P** \$77.25
0.06	-(0.00236)		-06K \$30.56			
0.07	-(0.00276)		-07K \$30.56			
0.075	-(0.00295)	-F5N** \$143.06			-F5M* \$78.19	-F5P** \$77.25
0.08	-(0.00315)		-08K \$30.56			
0.09	-(0.00354)		-09K \$30.56			
0.10	-(0.00394)	-10N** \$135.75	-10K \$31.44	-10L* \$49.25	-10M* \$74.13	-10P** \$73.25
0.12	-(0.00472)		-12K \$31.44			
0.15	-(0.00591)	-15N** \$135.75	-15K \$31.44	-15L* \$49.25	-15M* \$74.13	-15P** \$73.25
0.18	-(0.00709)		-18K \$31.44			
0.20	-(0.00787)	-20N** \$169.56	-20K \$31.44	-20L* \$61.75	-20M* \$92.63	-20P** \$91.57
0.22	-(0.00866)					
0.25	-(0.00984)	-25N** \$169.56	-25K \$31.44		-25M* \$92.63	-25P** \$91.57
0.30	-(0.01181)	-30N** \$169.56	-30K \$31.44	-30L* \$61.75	-30M* \$92.63	-30P** \$91.57
0.35	-(0.01378)		-35K \$34.82			
0.40	-(0.01575)	-40N** \$191.38	-40K \$34.82	-40L* \$69.63	-40M* \$104.56	-40P** \$103.25
0.45	-(0.01772)		-45K \$34.82			
0.50	-(0.01969)	-50N** \$223.32	-50K \$34.82	-50L* \$80.00	-50M* \$122.00	-50P** \$120.56
0.60	-(0.02362)		-60K \$56.13			
0.70	-(0.02756)		-70K \$56.13			
0.80	-(0.03150)		-80K \$56.13			
0.90	-(0.03543)		-90K \$56.13			
1.0	-(0.03937)		-A0K \$56.13			
1.5	-(0.05906)		10 SHEETS PER PKG.	-A0L* \$132.38		
2.0	-(0.07874)			-B0L* \$158.32		
				-C0L* \$185.25		

ASSORTMENTS:

	Dash No.	Price per package
50x300 mm, 1 sheet of each size 0.01-1.00 mm	-ASA	\$107.25
50x300 mm, 1 sheet of each size 0.03-1.00 mm	-ASB	\$89.63
50x300 mm, 1 sheet each of sizes 0.02, 0.03, 0.10, 0.15, 0.20, 0.25, 0.30, 0.35, 0.40, 0.50, 1.00 mm	-ASC	\$43.50
100x500 mm, 1 sheet of each size 0.02-1.00 mm SS*	-ASN	\$128.57
100x500 mm, 1 sheet of each size 1.50+2.00 mm SS*	-ASP	\$68.75
150x500 mm, 1 sheet of each size 0.025-0.50 mm SS*	-ASR	\$181.19
150x500 mm, 1 sheet of each size 0.025-0.50 mm BR**	-ASM	\$179.06

NOTE: SS* = Stainless Steel BR** = Brass

How to order: R376 + DASH NUMBER
Example: R376-25C for a steel strip 0.25 mm thick, 12.7 mm wide in a 5 meter roll.

MARYLAND METRICS also offers over 1,200,000 other METRIC Sized items including Fasteners, Hand Tools, Cutting Tools, Measuring Tools, Hydraulic & Pneumatic Fittings & Tubing, Oil Seals, O-rings, Bearings, Mechanical Power Transmission Equipment, Workholding Components, Metal Shapes, Plumbing Fittings, Electrical - Lamps, Fuses, Conduit Fittings & Cable.

Note: To convert inches to mm (inches x 25.4 = mm)
 To convert mm to inches (mm / 25.4 = inches)

filename: HASBV4P4.CDR

SECTION: MEAS.TOOL1

PAGE: 4

VERSION: ff12f

copyright 1999, 2010 maryland metrics

Mail to: P.O. BOX 261, OWINGS MILLS, MARYLAND 21117

Warehouse: 6119 OAKLEAF AVENUE, BALTIMORE, MARYLAND 21215

FOR ALL YOUR METRIC HARDWARE NEEDS