

MEDWAY®

Power Transmisson

How to order: Please prefix the MEDWAY part number with 'R609-' example: R609-183044

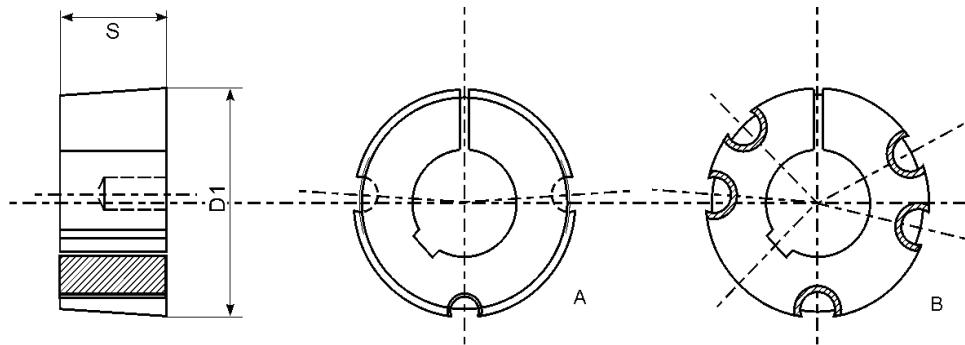


Taper Bushes

MEDWAY
products are available from
MARYLAND METRICS

P.O. Box 261 Owings Mills, MD 21117 USA
ph: (410)358-3130 (800)638-1830 fx: (410)358-3142 (800)872-9329
web: <http://mdmetric.com> email: sales@mdmetric.com
RFQ form: <http://mdmetric.com/rfq.htm>

MEDWAY
M.P.T. HOUSE BRUNSWICK ROAD
COBBS WOOD INDUSTRIAL ESTATE
ASHFORD KENT TN23 1EL U.K.



METRIC

SIZE	BORE (ISO E 8)	Transm. Torque	SCREWS B.S.W.	D1	TYPE	S
1008	9 10 11 12 14 16 18 19 20 22 24 25	5,6	1/4" x 1/2"	35,0	A	22,3
1108	9 10 11 12 14 16 18 19 20 22 24 25 28*	5,6	1/4" x 1/2"	38,0	A	22,3
1210	11 12 14 16 18 19 20 22 24 25 28 30 32	19,6	3/8" x 5/8"	47,5	A	25,4
1215	14 19 20 24 25 28	19,6	3/8" x 5/8"	47,5	A	38,1
1610	14 16 18 19 20 22 24 25 28 30 32 35 38 40* 42*	19,6	3/8" x 5/8"	57,0	A	25,4
1615	14 16 18 19 20 22 24 25 28 30 32 35 38 40* 42*	19,6	3/8" x 5/8"	57,0	A	38,1
2012	14 16 18 19 20 22 24 25 28 30 32 35 38 40 42 45 48 50*	30,4	7/16" x 7/8"	70,0	A	31,8
2517	16 18 19 20 22 24 25 28 30 32 35 38 40 42 45 48 50 55 60	48,0	1/2" x 1"	85,5	A	44,5
3020	25 28 30 32 35 38 40 42 45 48 50 55 60 65 70 75	90,0	5/8" x 1" 1/4	108,0	A	50,8
3030	35 38 40 42 45 48 50 55 60 65 70 75	90,0	5/8" x 1" 1/2	108,0	A	76,2
3525	35 38 40 42 45 48 50 55 60 65 70 75 80	113,0	1/2" x 1" 1/2	127,0	B	64,9
3535	35 38 40 42 45 48 50 55 60 65 70 75 80 85 90*	113,0	1/2" x 1" 1/2	127,0	B	88,9
4030	40 42 45 48 50 55 60 65 70 75 80 85 90 100*	169,0	5/8" x 1" 1/2	146,0	B	76,2
4040	40 42 45 48 50 55 60 65 70 75 80 85 90 100*	169,0	5/8" x 1" 3/4	146,0	B	101,6
4545	55 60 65 70 75 80 85 90 100*	192,0	3/4" x 2"	162,0	B	115,0
5050	70 75 80 85 90 100 105 110 115 120 125	272,0	7/8" x 2" 1/4	177,6	B	127,0

Dimensions of keyways with standard bore metric series

D		b	t		D	b	t
Over	to						
10	12	4	D + 1.8	28*	8	D + 1.3	
12	17	5	D + 2.3	35*	10	D + 1.3	
17	22	6	D + 2.8	40*/42*	12	D + 1.3	
22	30	8	D + 3.3	50*	14	D + 2.8	
30	38	10	D + 3.3	90*	25	D + 3.4	
58	65	18	D + 4.4	100*	28	D + 5.4	
65	75	20	D + 4.9				
75	85	22	D + 5.4				
85	95	25	D + 5.4				
95	110	28	D + 5.4				
110	130	32	D + 7.4				

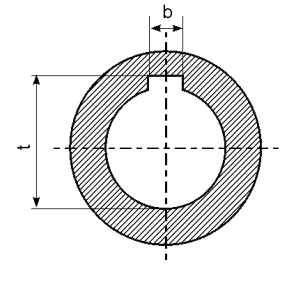
How to order: Please prefix the MEDWAY part number with 'R609-' example: R609-183044

IMPERIAL

SIZE	BORE (ISO E 8)
1008	3/8 - 7/16 - 1/2 - 9/16 - 5/8 - 11/16 - 3/4 - 13/16 - 7/8 - 15/16 - 1" - 1"1/16* - 1"1/8*
1108	3/8 - 7/16 - 1/2 - 9/16 - 5/8 - 11/16 - 3/4 - 13/16 - 7/8 - 15/16 - 1" - 1"1/16* - 1"1/8*
1210	1/2 - 9/16 - 5/8 - 11/16 - 3/4 - 13/16 - 7/8 - 15/16 - 1" - 1"1/16 - 1"1/8 - 1"3/16 - 1"1/4 - 1"5/16 - 1"3/8
1215	1/2 - 9/16 - 5/8 - 11/16 - 3/4 - 13/16 - 7/8 - 15/16 - 1" - 1"1/16 - 1"1/8 - 1"3/16 - 1"1/4 - 1"5/16 - 1"3/8
1610	1/2 - 9/16 - 5/8 - 11/16 - 3/4 - 13/16 - 7/8 - 15/16 - 1" - 1"1/16 - 1"1/8 - 1"3/16 - 1"1/4 - 1"5/16 - 1"3/8 - 1"7/16 - 1"1/2 - 1"5/8*
1615	1/2 - 9/16 - 5/8 - 11/16 - 3/4 - 13/16 - 7/8 - 15/16 - 1" - 1"1/16 - 1"1/8 - 1"3/16 - 1"1/4 - 1"5/16 - 1"3/8 - 1"7/16 - 1"1/2 - 1"5/8*
2012	3/4 - 13/16 - 7/8 - 15/16 - 1" - 1"1/16 - 1"1/8 - 1"3/16 - 1"1/4 - 1"5/16 - 1"3/8 - 1"7/16 - 1"1/2 - 1"5/8 - 1"3/4 - 1"7/8 - 2"
2517	3/4 - 7/8 - 15/16 - 1" - 1"1/16 - 1"1/8 - 1"3/16 - 1"1/4 - 1"5/16 - 1"3/8 - 1"7/16 - 1"1/2 - 1"5/8 - 1"3/4 - 1"7/8 - 2" - 2"1/8 - 2"1/4 - 2"3/8 - 2"1/2*
3020	1"1/4 - 1"5/16 - 1"3/8 - 1"7/16 - 1"1/2 - 1"5/8 - 1"3/4 - 1"7/8 - 2" - 2"1/8 - 2"1/4 - 2"3/8 - 2"1/2 - 2"5/8 - 2"3/4 - 2"7/8 - 3"
3030	1"1/4 - 1"5/16 - 1"3/8 - 1"7/16 - 1"1/2 - 1"5/8 - 1"3/4 - 1"7/8 - 2" - 2"1/8 - 2"1/4 - 2"3/8 - 2"1/2 - 2"5/8 - 2"3/4 - 2"7/8 - 3"
3525	1"1/2 - 1"5/8 - 1"3/4 - 1"7/8 - 2" - 2"1/8 - 2"1/4 - 2"3/8 - 2"1/2 - 2"5/8 - 2"3/4 - 2"7/8 - 3" - 3"1/8 - 3"1/4 - 3"3/8 - 3"1/2
3535	1"1/2 - 1"5/8 - 1"3/4 - 1"7/8 - 2" - 2"1/8 - 2"1/4 - 2"3/8 - 2"1/2 - 2"5/8 - 2"3/4 - 2"7/8 - 3" - 3"1/8 - 3"1/4 - 3"3/8 - 3"1/2
4030	1"3/4 - 1"7/8 - 2" - 2"1/8 - 2"1/4 - 2"3/8 - 2"1/2 - 2"5/8 - 2"3/4 - 2"7/8 - 3" - 3"1/8 - 3"1/4 - 3"3/8 - 3"1/2 - 3"3/4 - 4*
4040	1"3/4 - 1"7/8 - 2" - 2"1/8 - 2"1/4 - 2"3/8 - 2"1/2 - 2"5/8 - 2"3/4 - 2"7/8 - 3" - 3"1/8 - 3"1/4 - 3"3/8 - 3"1/2 - 3"3/4 - 4*
4545	2" - 2"1/8 - 2"1/4 - 2"3/8 - 2"1/2 - 2"5/8 - 2"3/4 - 2"7/8 - 3" - 3"1/8 - 3"1/4 - 3"3/8 - 3"1/2 - 3"3/4 - 4*
5050	2"3/4 - 2"7/8 - 3" - 3"1/8 - 3"1/4 - 3"3/8 - 3"1/2 - 3"3/4 - 4* - 4"1/4 - 4"1/2 - 4"3/4 - 5"

Dimensions of keyways with standard bore in inches (B.S.46: PART 1:1958)

D		b	t	D	b	t
Over	to			1"1/16* - 1" 1/8*	5/16	D + 5/64
1/4	1/2	1/8	D + 1/16	1" 5/8*	7/16	D + 1/8
1/2	3/4	3/16	D + 3/32	2"3/8* - 2"1/2*	5/8	D + 3/16
3/4	1"	1/4	D + 1/8	3"3/4* - 3"1/2*	7/8	D + 1/4
1"	1" 1/4	5/16	D + 1/8	3"3/4* - 4"*	1"	D + 1/4
1" 1/4	1" 1/2	3/8	D + 1/8	5"*	1"1/4	D + 5/16
1" 1/2	1" 3/4	7/16	D + 5/32			
1" 3/4"	2"	1/2	D + 5/32			
2"	2" 1/2	5/8	D + 7/32			
2" 1/2	3"	3/4	D + 1/4			
3"	3" 1/2	7/8	D + 5/16			
3" 1/2	4"	1"	D + 3/8			
4"	5"	1" 1/4	D + 7/16			
5"	6"	1" 1/2	D + 1/2			
6"	7"	1" 3/4	D + 5/8			



MEDWAY

products are available from

MARYLAND METRICS

P.O. Box 261 Owings Mills, MD 21117 USA

ph: (410)358-3130 (800)638-1830 fx: (410)358-3142 (800)872-9329

web: <http://mdmetric.com> email: sales@mdmetric.com

RFQ form: <http://mdmetric.com/rfq.htm>

MEDWAY
M.P.T. HOUSE BRUNSWICK ROAD
COBBS WOOD INDUSTRIAL ESTATE
ASHFORD KENT TN23 1EL U.K.