



Photo: HELUKABEL®

Bundling, binding and fixing



Cable accessories

Bundling, binding and fixing

Plastic helix

KW	329
-----------------	-----

Cable binders

Series Q-Tie®	
Standard	330
weather-resistant	331
heat-tolerant	332
Series Thomas & Betts	
for standard applications	
Cable binder TY-RAP ®	333
Resistant against UV-radiation	
Cable binder TY-MX	334
highly stabilised	
Cable binder TYH	335
highly resistant	
Cable binder TYZ	335
with additional fastening	
with mounting hole	336
with plug-in clip	336
with label field	
underneath the sealing head	337
above the sealing head	337
Series Standard	
for standard applications	
Cable binder T	338
detachable	
Cable binder W	339
robust application - stainless steel	
Cable binder E	340

Velcro fastener

KLL with punched hole	341
KLÖ with plastic grommet	341

Mounting base

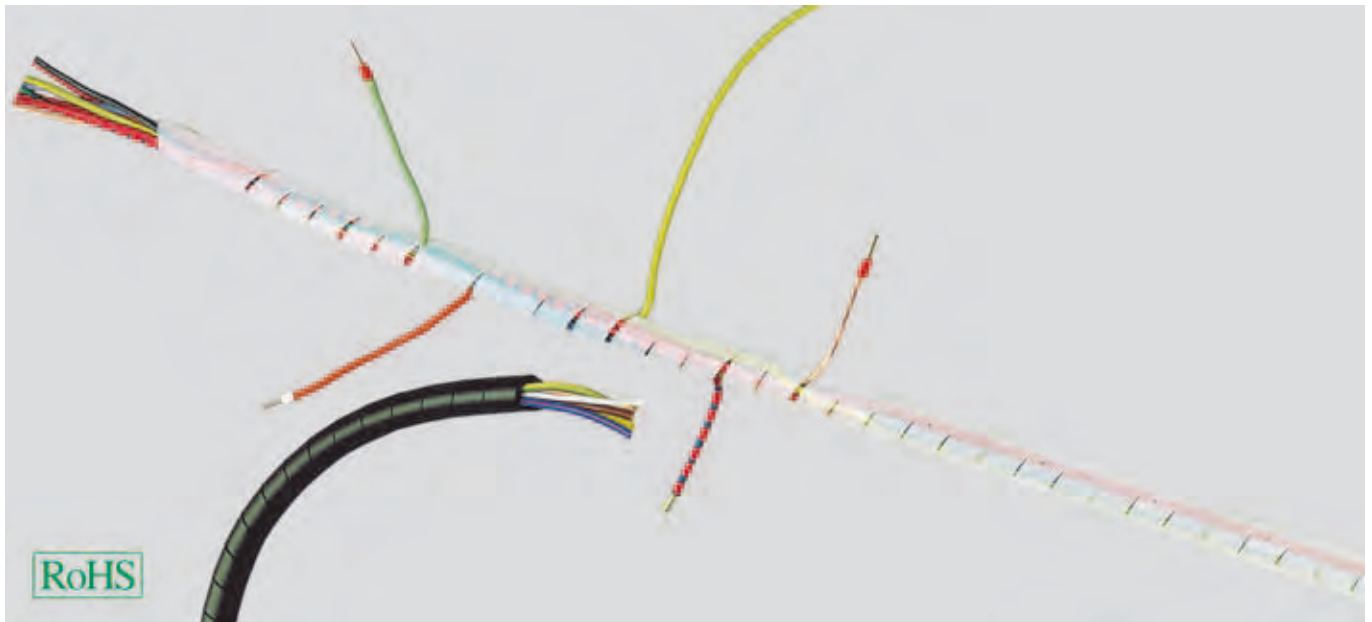
Series BS	
Mounting base BS	342
Series Thomas & Betts	
Mounting base TC	
Small base for screwing / riveting	343
for screwing / plugging	343
Screw socket	344
with support saddle	344
self-adhesive	345



Cable accessories

plastic helix KW

Polyethylene



KW

Plastic helix made of polyethylene.
 Protects wiring harnesses, wires and lines.
 Bundles and binds single wires and provides mechanical protection for loosely installed or moving cables and lines.

Material

Polyethylene
 Colour: transparent

Technical data

Temperature range: -50°C to +85°C

Note

Other materials or colours on request.

Application

Plant and machine construction Robot
 construction Automation technology Vehicle
 construction and shipbuilding Rail
 technology Installation technology Control
 cabinet construction

Part No.	Size	Colour	Bundle Ø mm	Per metres	net EUR/100 metres at acceptance of		
					up to 100	101 - 500	501 - 1000
91000	6,0	transparent	5,0 - 20,0	25	o. r.	o. r.	o. r.
91001	6,0	black	5,0 - 20,0	25	o. r.	o. r.	o. r.
96659	6,0	yellow	5,0 - 20,0	25	o. r.	o. r.	o. r.
96891	6,0	orange	5,0 - 20,0	25	o. r.	o. r.	o. r.
91002	12,0	transparent	10,0 - 40,0	25	o. r.	o. r.	o. r.
91003	12,0	black	10,0 - 40,0	25	o. r.	o. r.	o. r.
96658	12,0	yellow	10,0 - 40,0	25	o. r.	o. r.	o. r.
97042	12,0	orange	10,0 - 40,0	25	o. r.	o. r.	o. r.
96300	22,0	transparent	25,0 - 100,0	25	o. r.	o. r.	o. r.
96299	22,0	black	25,0 - 100,0	25	o. r.	o. r.	o. r.

o. r. = on request



Cable accessories

cable tie type Q-Tie®



Cable tie type Q-Tie®

Q-Tie® cable ties have an open lock-head. So a fast and reliable assembling is possible. Also a re-opening can be made in case of temporarily fixation.

Material

- halogen-free
- silicone-free

Polyamide 6.6

Properties

- Easy to assemble
- Can be re-opened in case of temporarily fixation

Technical data

Temperature range: -40°C to +85°C

Flammability acc. to UL 94 V2

Part No. transparent	Part No. black	Type Q-Tie®	Length mm	Width mm	Bundle Ø mm	Load capacity N	Unit	net EUR/100 items at acceptance of		
								up to 1000	1001 - 5000	5001 - 10000
903764	903751	Q26/105 NA/BK	105,0	2,6	24,0	80,0	200	o. r.	o. r.	o. r.
903765	903752	Q26/155 NA/BK	155,0	2,6	40,0	80,0	200	o. r.	o. r.	o. r.
903766	903753	Q26/195 NA/BK	195,0	2,6	50,0	80,0	200	o. r.	o. r.	o. r.
903767	903754	Q36/160 NA/BK	160,0	3,6	38,0	130,0	100	o. r.	o. r.	o. r.
903768	903755	Q36/200 NA/BK	200,0	3,6	50,0	130,0	100	o. r.	o. r.	o. r.
903769	903756	Q36/250 NA/BK	250,0	3,6	65,0	130,0	100	o. r.	o. r.	o. r.
903770	903757	Q36/300 NA/BK	300,0	3,6	82,0	130,0	100	o. r.	o. r.	o. r.
903771	903758	Q47/210 NA/BK	210,0	4,7	50,0	220,0	100	o. r.	o. r.	o. r.
903772	903759	Q47/290 NA/BK	290,0	4,7	75,0	220,0	100	o. r.	o. r.	o. r.
903773	903760	Q47/410 NA/BK	410,0	4,7	110,0	220,0	100	o. r.	o. r.	o. r.
903774	903761	Q77/300 NA/BK	300,0	7,7	70,0	530,0	100	o. r.	o. r.	o. r.
903775	903762	Q77/420 NA/BK	420,0	7,7	110,0	530,0	100	o. r.	o. r.	o. r.
903776	903763	Q77/520 NA/BK	520,0	7,7	145,0	530,0	100	o. r.	o. r.	o. r.

o. r. = on request



Cable accessories

cable tie type Q-Tie®

weather-proof



Cable tie type Q-Tie® weather-proof

This cable tie uses a special material that ensures best UV and oxygen protection for outdoor use. Q-Tie® cable ties have an open lock-head. So a fast and reliable assembling is possible. Also a re-opening can be made in case of temporarily fixation.

Application

Outdoor use

Material

- halogen-free
- silicone-free

Polyamide 6.6

Properties

- Easy to assemble
- Can be re-opened in case of temporarily fixation

Technical data

Temperature range: -40°C to +85°C

Flammability acc. to UL 94 V2

Part No. black	Type Q-Tie®	Length mm	Width mm	Bundle Ø mm	Load capacity N	Unit	net EUR/100 items at acceptance of		
							up to 1000	1001 - 5000	5001 - 10000
903696	Q26/105 BK-WS	105,0	2,6	24,0	80,0	200	o. r.	o. r.	o. r.
903697	Q26/155 BK-WS	155,0	2,6	40,0	80,0	200	o. r.	o. r.	o. r.
903698	Q26/195 BK-WS	195,0	2,6	50,0	80,0	200	o. r.	o. r.	o. r.
903699	Q36/160 BK-WS	160,0	3,6	38,0	130,0	100	o. r.	o. r.	o. r.
903700	Q36/200 BK-WS	200,0	3,6	50,0	130,0	100	o. r.	o. r.	o. r.
903701	Q36/250 BK-WS	250,0	3,6	65,0	130,0	100	o. r.	o. r.	o. r.
903702	Q36/300 BK-WS	300,0	3,6	82,0	130,0	100	o. r.	o. r.	o. r.
903703	Q47/210 BK-WS	210,0	4,7	50,0	220,0	100	o. r.	o. r.	o. r.
903704	Q47/290 BK-WS	290,0	4,7	75,0	220,0	100	o. r.	o. r.	o. r.
903705	Q47/410 BK-WS	410,0	4,7	110,0	220,0	100	o. r.	o. r.	o. r.
903706	Q77/300 BK-WS	300,0	7,7	70,0	530,0	100	o. r.	o. r.	o. r.
903707	Q77/420 BK-WS	420,0	7,7	110,0	530,0	100	o. r.	o. r.	o. r.
903708	Q77/520 BK-WS	520,0	7,7	145,0	530,0	100	o. r.	o. r.	o. r.

o. r. = on request



Cable accessories

cable tie type Q-Tie®

thermal stable



Cable tie type Q-Tie® thermal stable

Can be used for long lasting temperatures up to 105°C. Q-Tie® cable ties have an open lock-head. So a fast and reliable assembling is possible. Also a re-opening can be made in case of temporarily fixation.

Application

High temperature duration

Material

- halogen-free
- silicone-free

Polyamide 6.6

Properties

- Easy to assemble
- Can be re-opened in case of temporarily fixation

Technical data

Temperature range: -40°C to +105°C

Flammability acc. to UL 94 V2

Part No. black	Type Q-Tie®	Length mm	Width mm	Bundle Ø mm	Load capacity N	Unit	net EUR/100 items at acceptance of		
							up to 1000	1001 - 5000	5001 - 10000
903777	Q26/105 BK-HS	105,0	2,6	24,0	80,0	200	o. r.	o. r.	o. r.
903778	Q26/155 BK-HS	155,0	2,6	40,0	80,0	200	o. r.	o. r.	o. r.
903779	Q26/195 BK-HS	195,0	2,6	50,0	80,0	200	o. r.	o. r.	o. r.
903780	Q36/160 BK-HS	160,0	3,6	38,0	130,0	100	o. r.	o. r.	o. r.
903781	Q36/200 BK-HS	200,0	3,6	50,0	130,0	100	o. r.	o. r.	o. r.
903782	Q36/250 BK-HS	250,0	3,6	65,0	130,0	100	o. r.	o. r.	o. r.
903783	Q36/300 BK-HS	300,0	3,6	82,0	130,0	100	o. r.	o. r.	o. r.
903784	Q47/210 BK-HS	210,0	4,7	50,0	220,0	100	o. r.	o. r.	o. r.
903785	Q47/290 BK-HS	290,0	4,7	75,0	220,0	100	o. r.	o. r.	o. r.
903786	Q47/410 BK-HS	410,0	4,7	110,0	220,0	100	o. r.	o. r.	o. r.
903787	Q77/300 BK-HS	300,0	7,7	70,0	530,0	100	o. r.	o. r.	o. r.
903788	Q77/420 BK-HS	420,0	7,7	110,0	530,0	100	o. r.	o. r.	o. r.
903789	Q77/520 BK-HS	520,0	7,7	145,0	530,0	100	o. r.	o. r.	o. r.

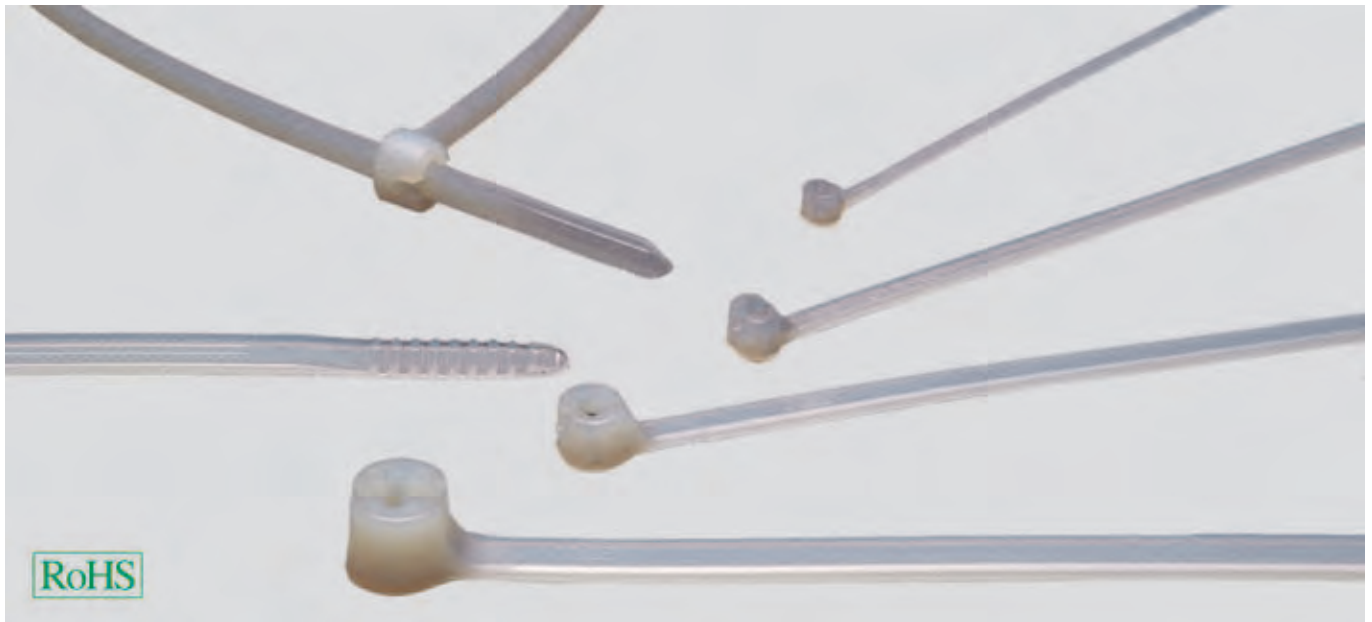
o. r. = on request



Cable accessories

cable tie type TY-RAP®

with steel lug lock - a product by Thomas & Betts



TY-RAP® transparent

TY-RAP® Cable binder with steel lug lock made of corrosion-resistant, non-magnetic steel.

This technology enables the binder to offer excellent binding properties even under the most rigorous conditions such as heat, cold, humidity etc. and makes it insensitive to vibrations and external influences.

Material

- halogen-free
- silicone-free

Polyamide 6.6

Technical data

Temperature range: -40°C to +85°C

Flammability acc. to UL 94 V2

Note

Brown, red, orange, yellow, green, purple or grey available on request.

Part No. transparent	Type T & B	Length mm	Width mm	Bundle Ø mm	Load capacity N	Unit	net EUR/100 items at acceptance of		
							up to 1000	1001 - 5000	5001 - 10000
91051	TYB 23M	92,0	2,4	16,0	80,0	1000	o. r.	o. r.	o. r.
91055	TY 232M	200,0	2,4	50,0	80,0	1000	o. r.	o. r.	o. r.
91058	TY 234M	356,0	2,4	102,0	80,0	1000	o. r.	o. r.	o. r.
91061	TYB 24M	140,0	3,6	29,0	180,0	1000	o. r.	o. r.	o. r.
91064	TY 242M	208,0	3,6	50,0	180,0	1000	o. r.	o. r.	o. r.
91067	TY 26M	281,0	3,6	76,0	180,0	1000	o. r.	o. r.	o. r.
91070	TY 244M	368,0	3,6	103,0	180,0	1000	o. r.	o. r.	o. r.
91073	TYB 25M	186,0	4,8	45,0	220,0	1000	o. r.	o. r.	o. r.
91076	TY 253M	293,0	4,8	78,0	220,0	1000	o. r.	o. r.	o. r.
91079	TY 28M	360,0	4,8	102,0	220,0	1000	o. r.	o. r.	o. r.
91082	TY 272M	203,0	7,0	50,0	540,0	500	o. r.	o. r.	o. r.
91085	TY 27M	338,0	7,0	90,0	540,0	500	o. r.	o. r.	o. r.
91088	TY 29M	762,0	7,0	229,0	540,0	500	o. r.	o. r.	o. r.

small package

Part No. transparent	Type T & B	Length mm	Width mm	Bundle Ø mm	Load capacity N	Unit	net EUR/100 items at acceptance of		
							up to 1000	1001 - 5000	5001 - 10000
91050	TY 5-23M	92,0	2,4	16,0	80,0	100	o. r.	o. r.	o. r.
91054	TY 5-232M	200,0	2,4	50,0	80,0	100	o. r.	o. r.	o. r.
91057	TY 5-234M	356,0	2,4	102,0	80,0	100	o. r.	o. r.	o. r.
91060	TY 5-24M	140,0	3,6	29,0	180,0	100	o. r.	o. r.	o. r.
91063	TY 5-242M	208,0	3,6	50,0	180,0	100	o. r.	o. r.	o. r.
91066	TY 5-26M	281,0	3,6	76,0	180,0	100	o. r.	o. r.	o. r.
91069	TY 5-244M	368,0	3,6	103,0	180,0	100	o. r.	o. r.	o. r.
91072	TY 5-25M	186,0	4,8	45,0	220,0	100	o. r.	o. r.	o. r.
91075	TY 5-253M	293,0	4,8	78,0	220,0	100	o. r.	o. r.	o. r.
91078	TY 5-28M	360,0	4,8	102,0	220,0	100	o. r.	o. r.	o. r.
91081	TY 5-272M	203,0	7,0	50,0	540,0	100	o. r.	o. r.	o. r.
91084	TY 5-27M	338,0	7,0	90,0	540,0	50	o. r.	o. r.	o. r.
91087	TY 5-29M	762,0	7,0	229,0	540,0	50	o. r.	o. r.	o. r.

o. r. = on request



Cable accessories

cable tie type TY-MX

with steel lug lock - a product by Thomas & Betts



TY-RAP® (UV-stabilised)

TY-RAP® Cable binder with steel lug lock made of corrosion-resistant, non-magnetic steel.

This technology enables the binder to offer excellent binding properties even under the most rigorous conditions such as heat, cold, humidity etc. and makes it insensitive to vibrations and external influences.

Material

- halogen-free
- silicone-free

Polyamide 6.6

Technical data

Temperature range: -40°C to +85°C

Flammability acc. to UL 94 V2

Note

Other colours and materials available on request.

UV-stabilised

Part No. black	Type T & B	Length mm	Width mm	Bundle Ø mm	Load capacity N	Unit	net EUR/100 items at acceptance of		
							up to 1000	1001 - 5000	5001 - 10000
91052	TYB 23MX	92,0	2,4	16,0	80,0	1000	o. r.	o. r.	o. r.
91056	TY 232MX	200,0	2,4	50,0	80,0	1000	o. r.	o. r.	o. r.
91059	TY 234MX	356,0	2,4	102,0	80,0	1000	o. r.	o. r.	o. r.
91062	TYB 24MX	140,0	3,6	29,0	180,0	1000	o. r.	o. r.	o. r.
91065	TY 242MX	208,0	3,6	50,0	180,0	1000	o. r.	o. r.	o. r.
91068	TY 26MX	281,0	3,6	76,0	180,0	1000	o. r.	o. r.	o. r.
91071	TY 244MX	368,0	3,6	103,0	180,0	1000	o. r.	o. r.	o. r.
91074	TYB 25MX	186,0	4,8	45,0	220,0	1000	o. r.	o. r.	o. r.
91077	TY 253MX	293,0	4,8	78,0	220,0	1000	o. r.	o. r.	o. r.
91080	TY 28MX	360,0	4,8	102,0	220,0	1000	o. r.	o. r.	o. r.
91086	TY 27MX	338,0	7,0	90,0	540,0	500	o. r.	o. r.	o. r.
91083	TY 272MX	203,0	7,6	50,0	540,0	500	o. r.	o. r.	o. r.
91089	TY 29MX	762,0	7,6	229,0	540,0	500	o. r.	o. r.	o. r.

UV-stabilised - small package

Part No. black	Type T & B	Length mm	Width mm	Bundle Ø mm	Load capacity N	Unit	net EUR/100 items at acceptance of		
							up to 1000	1001 - 5000	5001 - 10000
97310	TY 5-23MX	92,0	2,4	16,0	80,0	100	o. r.	o. r.	o. r.
97311	TY 5-232MX	200,0	2,4	50,0	80,0	100	o. r.	o. r.	o. r.
97312	TY 5-234MX	356,0	2,4	102,0	80,0	100	o. r.	o. r.	o. r.
97313	TYB 5-24MX	140,0	3,6	29,0	180,0	100	o. r.	o. r.	o. r.
97314	TY 5-242MX	208,0	3,6	50,0	180,0	100	o. r.	o. r.	o. r.
97436	TY 5-26MX	281,0	3,6	76,0	180,0	100	o. r.	o. r.	o. r.
97437	TY 5-244MX	368,0	3,6	103,0	180,0	100	o. r.	o. r.	o. r.
93694	TY 5-25MX	186,0	4,8	45,0	220,0	100	o. r.	o. r.	o. r.
93695	TY 5-253MX	293,0	4,8	78,0	220,0	100	o. r.	o. r.	o. r.
93696	TY 5-28MX	360,0	4,8	102,0	220,0	100	o. r.	o. r.	o. r.
93698	TY 5-27MX	338,0	7,0	90,0	540,0	50	o. r.	o. r.	o. r.
93697	TY 5-272MX	203,0	7,6	50,0	540,0	100	o. r.	o. r.	o. r.
93699	TY 5-29MX	762,0	7,6	229,0	540,0	50	o. r.	o. r.	o. r.

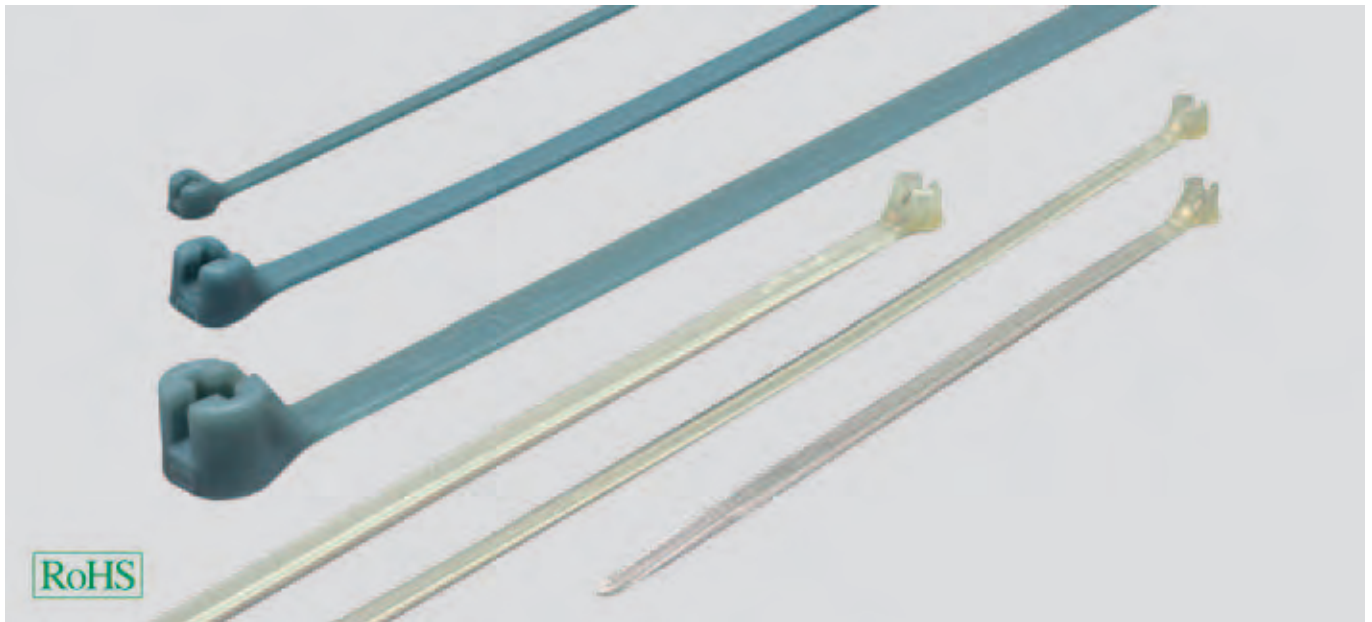
o. r. = on request



Cable accessories

cable tie TYH / TYZ

with steel lug lock - a product by Thomas & Betts



TY-RAP®

TY-RAP® Cable binder with steel lug lock made of corrosion-resistant, non-magnetic steel.

This technology enables the binder to offer excellent binding properties even under the most rigorous conditions such as heat, cold, humidity etc. and makes it insensitive to vibrations and external influences.

Material

- halogen-free
- silicone-free

H = Polyamide 6.6 (heat-stabilised)

Z = ETFE (heat-stabilised, radiation-resistant and chemical-resistant)

Technical data

TYH:

Temperature range: -40°C to +105°C

TYZ:

Temperature range: -55°C to +165°C

TYH:

Flammability acc. to UL 94 V2

TYZ:

Flammability acc. to UL 94 V0

TYH well stabilized

Part No. TYH	Type T & B	Colour	Length mm	Width mm	Bundle Ø mm	Load capacity N	Unit	net EUR/100 items at acceptance of		
								up to 1000	1001 - 5000	5001 - 10000
97280	TYH 23M	transparent	92,0	2,4	16,0	80,0	1000	o. r.	o. r.	o. r.
96481	TYH 232M	transparent	200,0	2,4	50,0	80,0	1000	o. r.	o. r.	o. r.
96577	TYH 24M	transparent	140,0	3,6	29,0	180,0	1000	o. r.	o. r.	o. r.
98520	TYH 242M	transparent	208,0	3,6	50,0	180,0	1000	o. r.	o. r.	o. r.
97249	TYH 26M	transparent	281,0	3,6	76,0	180,0	1000	o. r.	o. r.	o. r.
97213	TYH 25M	transparent	186,0	4,8	45,0	220,0	1000	o. r.	o. r.	o. r.
98521	TYH 253M	transparent	293,0	4,8	78,0	220,0	1000	o. r.	o. r.	o. r.
96291	TYH 28M	transparent	360,0	4,8	102,0	220,0	1000	o. r.	o. r.	o. r.
98522	TYH 272M	transparent	203,0	7,0	50,0	540,0	500	o. r.	o. r.	o. r.
97154	TYH 27M	transparent	338,0	7,0	90,0	540,0	500	o. r.	o. r.	o. r.
97250	TYH 29M	transparent	762,0	7,0	229,0	540,0	500	o. r.	o. r.	o. r.

TYZ durable

Part No. TYZ	Type T & B	Colour	Length mm	Width mm	Bundle Ø mm	Load capacity N	Unit	net EUR/100 items at acceptance of		
								up to 1000	1001 - 5000	5001 - 10000
96909	TYZ 23M	aquamarine	92,0	2,4	16,0	80,0	1000	o. r.	o. r.	o. r.
96290	TYZ 25M	aquamarine	186,0	4,8	45,0	220,0	1000	o. r.	o. r.	o. r.
96724	TYZ 28M	aquamarine	360,0	4,8	102,0	220,0	1000	o. r.	o. r.	o. r.
94800	TYZ 27M	aquamarine	338,0	7,0	90,0	540,0	500	o. r.	o. r.	o. r.

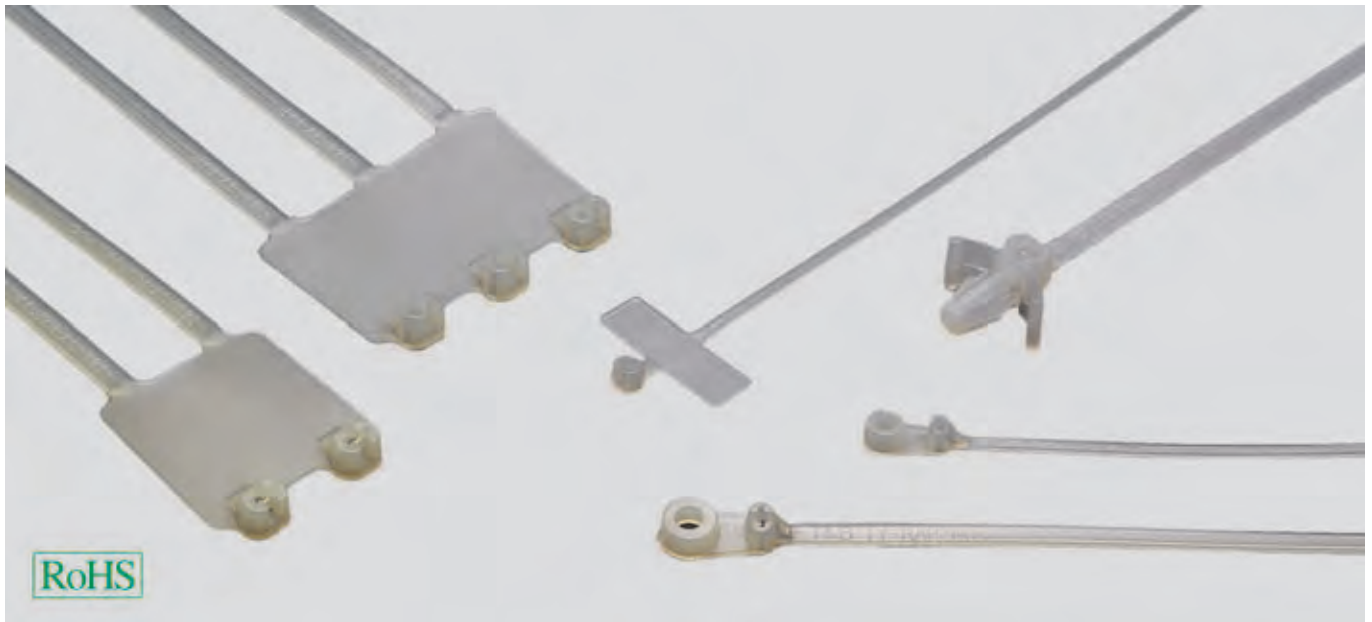
o. r. = on request



Cable accessories

special cable tie

with steel lug lock - a product by Thomas & Betts



TY-RAP® (special types)

TY-RAP® Cable binder with steel lug lock made of corrosion-resistant, non-magnetic steel.

This technology enables the binder to offer excellent binding properties even under the most rigorous conditions such as heat, cold, humidity etc. and makes it insensitive to vibrations and external influences.

Material

- halogen-free
- silicone-free

Polyamide 6.6

Technical data

Temperature range: -40°C to +85°C

Flammability acc. to UL 94 V2

with assembly hole

Part No.	Type T & B	Colour	Length mm	Width mm	Bundle Ø mm	Load capacity N	Hole Ø mm	Field W x H	Unit	net EUR/100 items at acceptance of		
										up to 1000	1001 - 5000	5001 - 10000
91093	TY 33M	transparent	101,0	2,4	16,0	80,0	2,8	-	1000	o. r.	o. r.	o. r.
91094	TY 34M	transparent	152,0	3,6	29,0	180,0	4,2	-	1000	o. r.	o. r.	o. r.
91095	TY 635M	transparent	198,0	4,8	45,0	220,0	3,5	-	1000	o. r.	o. r.	o. r.
91096	TY 35M	transparent	198,0	4,8	45,0	220,0	4,8	-	1000	o. r.	o. r.	o. r.
91098	TY 37M	transparent	354,0	7,6	90,0	540,0	6,3	-	500	o. r.	o. r.	o. r.

with plug-in clip

Part No.	Type T & B	Colour	Length mm	Width mm	Bundle Ø mm	Load capacity N	Hole Ø mm	Field W x H	Unit	net EUR/100 items at acceptance of		
										up to 1000	1001 - 5000	5001 - 10000
91103	TY 38M	transparent	197,0	4,8	45,0	220,0	-	-	1000	o. r.	o. r.	o. r.

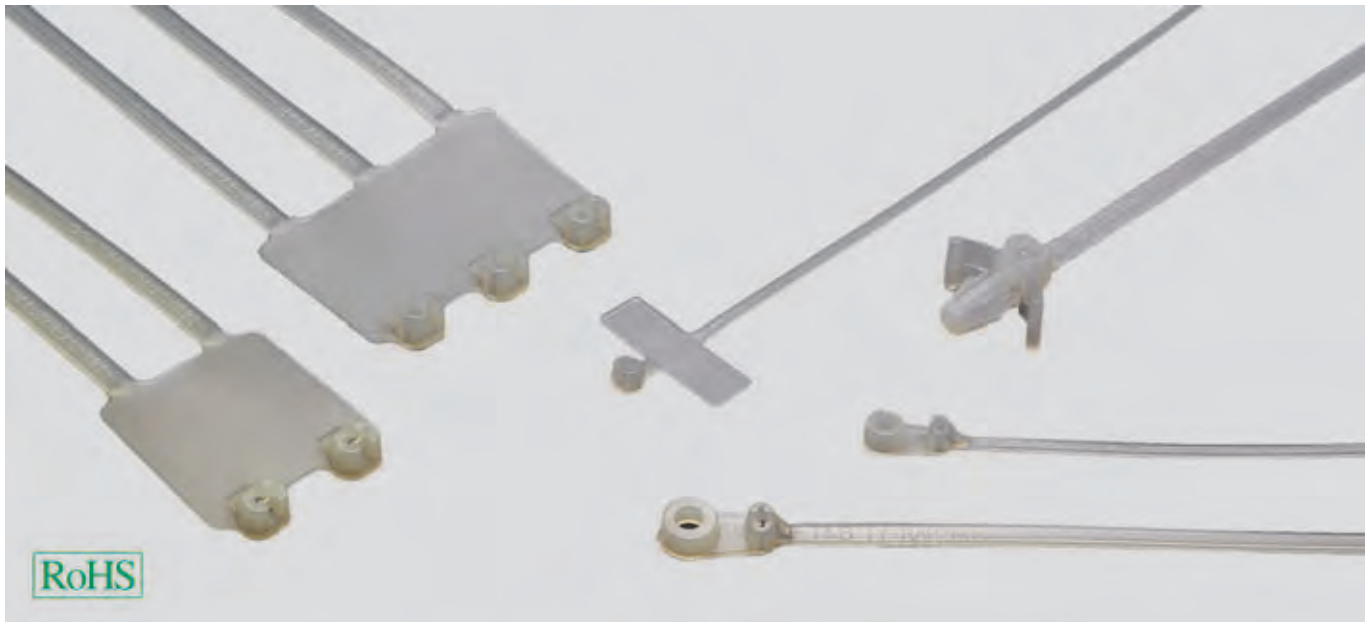
o. r. = on request



Cable accessories

cable tie with label

with steel lug lock - a product by Thomas & Betts



TY-RAP® Cable binders with steel lug lock made of corrosion-resistant, non-magnetic steel.

This technology enables the binder to offer excellent binding properties even under the most rigorous conditions such as heat, cold, humidity etc. and makes it insensitive to vibrations and external influences.

Material

- halogen-free
- silicone-free

Polyamide 6.6

Technical data

Temperature range: -40°C to +85°C

Flammability acc. to UL 94 V2

Note

TY-RAP® (special types)

marking area below the latch

Part No.	Type T & B	Colour	Length mm	Width mm	Bundle Ø mm	Load capacity N	Hole Ø mm	Field W x H	Unit	net EUR/100 items at acceptance of		
										up to 1000	1001 - 5000	5001 - 10000
91108	TY 51M	transparent	92,0	2,4	16,0	80,0	-	25 x 8	500	o. r.	o. r.	o. r.
91109	TY 512M	transparent	210,0	2,4	51,0	80,0	-	25 x 8	1000	o. r.	o. r.	o. r.
91113	TY 46MT	transparent	184,0	4,8	45,0	3 x 660,0	-	46 x 24	500	o. r.	o. r.	o. r.
91114	TY 46MF	transparent	184,0	4,8	45,0	4 x 880,0	-	63 x 24	500	o. r.	o. r.	o. r.
91111	TY 46M	transparent	184,0	4,8	45,0	220,0	-	22 x 13	1000	o. r.	o. r.	o. r.
91112	TY 46MD	transparent	184,0	4,8	45,0	2 x 440,0	-	30 x 25	500	o. r.	o. r.	o. r.
91110	TY 48M	transparent	360,0	4,8	102,0	220,0	-	54 x 13	1000	o. r.	o. r.	o. r.

marking area above the latch

Part No.	Type T & B	Colour	Length mm	Width mm	Bundle Ø mm	Load capacity N	Hole Ø mm	Field W x H	Unit	net EUR/100 items at acceptance of		
										up to 1000	1001 - 5000	5001 - 10000
91106	TY 53M	transparent	102,0	2,4	16,0	80,0	-	20 x 9	1000	o. r.	o. r.	o. r.
91107	TY 532M	transparent	212,0	2,4	51,0	80,0	-	20 x 9	1000	o. r.	o. r.	o. r.

o. r. = on request



Cable accessories

cable tie type T

with plastic lug lock



Cable binder

Cable binder with plastic tongue for directionality and mounting cables and lines.

Material

- halogen-free
- silicone-free

Polyamide 6.6

Technical data

Temperature range: -40°C to +80°C

Flammability acc. to UL 94 V2

Part No. transparent	Part No. black	Type	Length mm	Width mm	Bundle Ø mm	Load capacity N	Unit	net EUR/100 items at acceptance of		
								up to 1000	1001 - 5000	5001 - 10000
91121	90130	T2-20	100,0	2,5	20,0	80,0	1000	o. r.	o. r.	o. r.
91122	90131	T2-50	200,0	2,5	50,0	80,0	1000	o. r.	o. r.	o. r.
91123	90132	T3-35	145,0	3,4	35,0	130,0	1000	o. r.	o. r.	o. r.
91124	90133	T3-50	210,0	3,4	50,0	130,0	1000	o. r.	o. r.	o. r.
91125	90134	T3-75	300,0	3,6	75,0	130,0	1000	o. r.	o. r.	o. r.
91130	90137	T5-85	185,0	4,6	50,0	220,0	1000	o. r.	o. r.	o. r.
91127	90136	T5-75	300,0	4,6	75,0	220,0	1000	o. r.	o. r.	o. r.
90158	90148	T5-100	380,0	4,7	100,0	220,0	100	o. r.	o. r.	o. r.
90159	90149	T8-100	365,0	7,6	100,0	540,0	100	o. r.	o. r.	o. r.
96491	96492	T9-165	550,0	9,0	165,0	790,0	100	o. r.	o. r.	o. r.
97219	97223	T9-230	775,0	9,0	230,0	790,0	100	o. r.	o. r.	o. r.

small package

Part No. transparent	Part No. black	Type	Length mm	Width mm	Bundle Ø mm	Load capacity N	Unit	net EUR/100 items at acceptance of		
								up to 1000	1001 - 5000	5001 - 10000
90150	90140	T2-20	100,0	2,5	20,0	80,0	100	o. r.	o. r.	o. r.
90151	90141	T2-50	200,0	2,5	50,0	80,0	100	o. r.	o. r.	o. r.
90152	90142	T3-35	145,0	3,4	35,0	130,0	100	o. r.	o. r.	o. r.
90153	90143	T3-50	210,0	3,4	50,0	130,0	100	o. r.	o. r.	o. r.
90154	90144	T3-75	300,0	3,6	75,0	130,0	100	o. r.	o. r.	o. r.
90157	90147	T5-85	185,0	4,6	50,0	220,0	100	o. r.	o. r.	o. r.
90156	90146	T5-75	300,0	4,6	75,0	220,0	100	o. r.	o. r.	o. r.

o. r. = on request



Cable accessories

cable tie type W

unlockable



Cable binder

Detachable cable binders for temporary assembly.
 These cable binders can be opened without tools using only a handle.

Material

- halogen-free
- silicone-free

Polyamide 6.6

Technical data

Temperature range: -40°C to +80°C

Flammability acc. to UL 94 V2

Part No. black	Length mm	Width mm	Bundle Ø mm	Load capacity N	Unit	net EUR/100 items at acceptance of		
						up to 1000	1001 - 5000	5001 - 10000
97633	120,0	7,6	26,0	220,0	100	o. r.	o. r.	o. r.
97634	200,0	7,6	50,0	220,0	100	o. r.	o. r.	o. r.
97635	300,0	7,6	80,0	220,0	100	o. r.	o. r.	o. r.
97636	370,0	7,6	102,0	220,0	100	o. r.	o. r.	o. r.

o. r. = on request



Cable accessories

cable tie type E



stainless steel



Cable binder

Cable binders made of stainless steel with ball lock for use in extreme conditions, such as high temperatures, aggressive environment, high tensile load.

Material

Stainless steel 316

Properties

Corrosion and radiation resistant, anti-magnetic, resistant to high temperatures and aggressive chemicals

Technical data

Temperature range: -80°C to +538°C

Note

Approvals: GL, DNV, Lloyd's, UL

Part No. black	Length mm	Width mm	Bundle Ø mm	Load capacity N	Unit	net EUR/100 items at acceptance of		
						up to 1000	1001 - 5000	5001 - 10000
90900	150,0	4,6	44,0	445,0	100	o. r.	o. r.	o. r.
90901	200,0	4,6	50,0	445,0	100	o. r.	o. r.	o. r.
90902	290,0	4,6	75,0	445,0	100	o. r.	o. r.	o. r.
90903	360,0	4,6	102,0	445,0	100	o. r.	o. r.	o. r.
90904	200,0	7,9	50,0	1112,0	100	o. r.	o. r.	o. r.
90905	290,0	7,9	75,0	1112,0	100	o. r.	o. r.	o. r.
90906	360,0	7,9	102,0	1112,0	100	o. r.	o. r.	o. r.
90907	520,0	7,9	152,0	1112,0	100	o. r.	o. r.	o. r.

o. r. = on request



Cable accessories

hook and loop cable tie KLL/KLÖ



Velcro binders

Particularly suited for sensitive cables and lines that are to be bundled or fastened without kinking or pinching. Velcro binders exert only low pressure on the lines and lie evenly and flush. Suitable for up to 10,000 actuations in reusable bundling applications.

Material

KLL - Polyamide sleeve / PE mushroom head tape / with punched hole
 KLÖ - Polyamide web tape with hook and slings / with plastic eye

Technical data

Temperature range: -40°C to +85°C

Note

KLL – pre-punched on rolls
 KLÖ – Packed small in poly bags

KLL with punched hole

Part No.	Colour	Length mm	Width mm	Bundle Ø mm	Unit	net EUR/100 items at acceptance of		
						up to 100	101 - 500	501 - 1000
93730	black	150,0	20,0	45,0	1000	o. r.	o. r.	o. r.
93731	black	200,0	20,0	60,0	750	o. r.	o. r.	o. r.
93732	black	330,0	20,0	100,0	450	o. r.	o. r.	o. r.

KLÖ with plastic eye

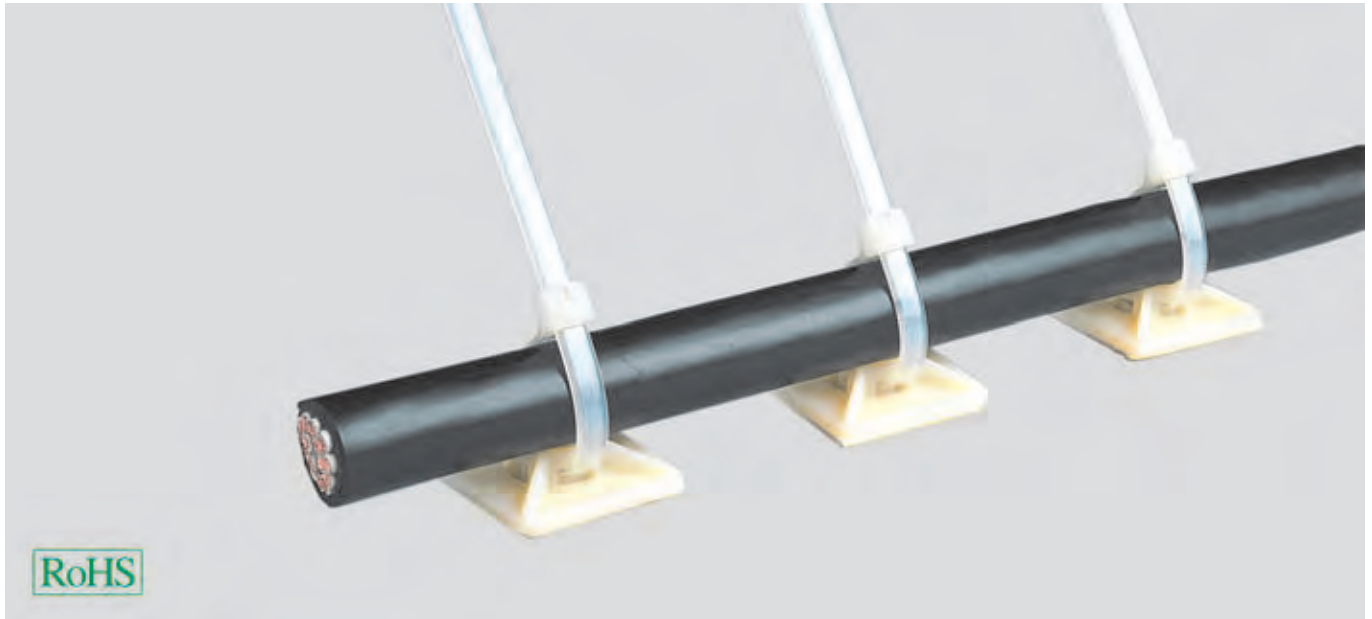
Part No.	Colour	Length mm	Width mm	Bundle Ø mm	Unit	net EUR/100 items at acceptance of		
						up to 100	101 - 500	501 - 1000
93735	red-black	195,0	25,0	55,0	10	o. r.	o. r.	o. r.
93736	red-black	240,0	25,0	70,0	10	o. r.	o. r.	o. r.
93737	red-black	360,0	25,0	110,0	10	o. r.	o. r.	o. r.

o. r. = on request



Cable accessories

Mounting block BS



BS

BS mounting base for installing cables, lines, tubes and pipes.
 The combination with cable binders makes for simple handling.

Application

Plant and machine construction Robot construction Automation technology Vehicle construction and shipbuilding Rail technology Installation technology Control cabinet construction

Material

Polyamide 6.6
 Colour: transparent

Technical data

Temperature range: -55°C to +85°C

Note

Foamed self-adhesive foil adheres to smooth and grease-free surfaces and smooths out slightly uneven surfaces.

Part No. transparent	Type	Size L x W	Cable tie max. width mm	Load capacity N	Unit	net EUR/100 items at acceptance of		
						up to 1000	1001 - 5000	5001 - 10000
91090	BS 1	20,0 x 20,0	4,0	25,0	100	o. r.	o. r.	o. r.
91091	BS 2	28,0 x 28,0	5,0	49,0	100	o. r.	o. r.	o. r.
91092	BS 3	27,0 x 27,0	5,5	-	100	o. r.	o. r.	o. r.

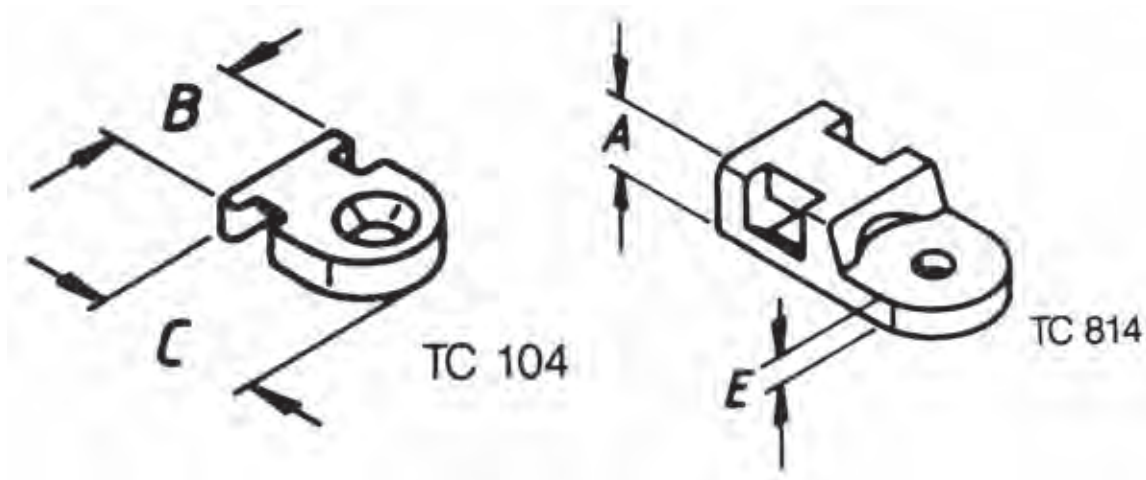
o. r. = on request



Cable accessories

Mounting block TC

a product by Thomas & Betts



TC for band fastening

Small base for band fastening with countersunk screws, cylinder bolts or rivet assembly.

Material

Polyamide 6.6
 Colour: transparent

Technical data

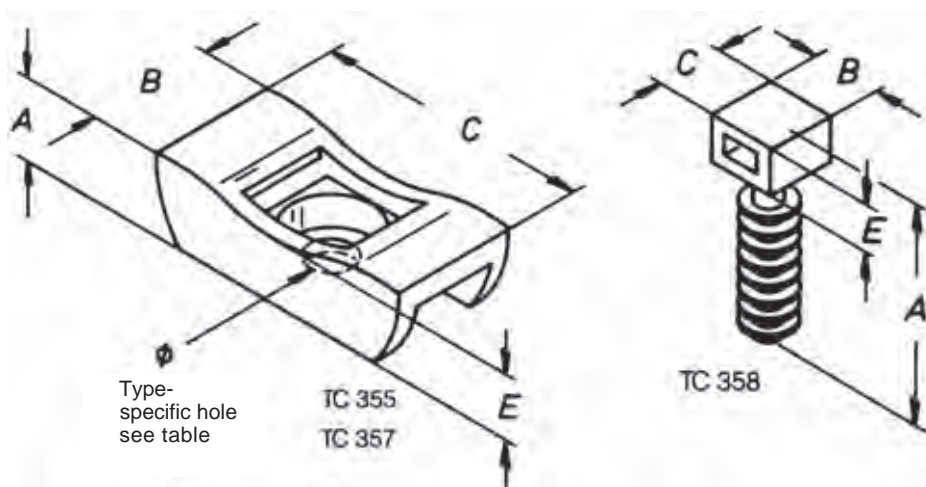
Temperature range: -40°C to +85°C

small socket for screwing / for revetting

Part No.	Type transparent	Fixing	A mm	B mm	C mm	D mm	E mm	F mm	Boring mm	Tie width max. mm	Unit	net EUR/100 items at acceptance of		
												up to 1000	1001 - 5000	5001 - 10000
91039	TC 102	Screw-in	3,2	13,0	19,0	-	-	-	4,2	4,8	100	o. r.	o. r.	o. r.
91040	TC 104	Screw-in	2,5	8,0	10,0	-	-	-	3,2	2,4	100	o. r.	o. r.	o. r.
91042	TC 112	Screw-in	5,0	10,0	19,0	-	2,0	-	4,2	4,8	100	o. r.	o. r.	o. r.
91043	TC 812	Screw-in	5,0	10,0	19,0	-	2,0	-	4,8	4,8	100	o. r.	o. r.	o. r.
93006	TC 814	Screw-in	5,0	10,0	19,0	-	2,0	-	3,2	4,8	100	o. r.	o. r.	o. r.

o. r. = on request

a product by Thomas & Betts



TC as mounting base

Mounting base for robust fastening of lines, pipes and tubes - outdoor applications included.

Material

Polyamide 6.6
 Colour: black

Technical data

Temperature range: -40°C to +85°C

for screwing / for doweling

Part No.	Type black	Fixing	A mm	B mm	C mm	D mm	E mm	F mm	Boring mm	Tie width max. mm	Unit	net EUR/100 items at acceptance of		
												up to 1000	1001 - 5000	5001 - 10000
91046	TC 355	Screw-in	16,0	19,1	44,0	-	11,0	-	4,3	12,7	25	o. r.	o. r.	o. r.
91047	TC 357	Screw-in	16,0	19,1	44,0	-	11,0	-	6,6	12,7	100	o. r.	o. r.	o. r.
91048	TC 358	For fastening with anchors	31,0	10,0	10,0	-	7,0	-	6,0	4,8	100	o. r.	o. r.	o. r.

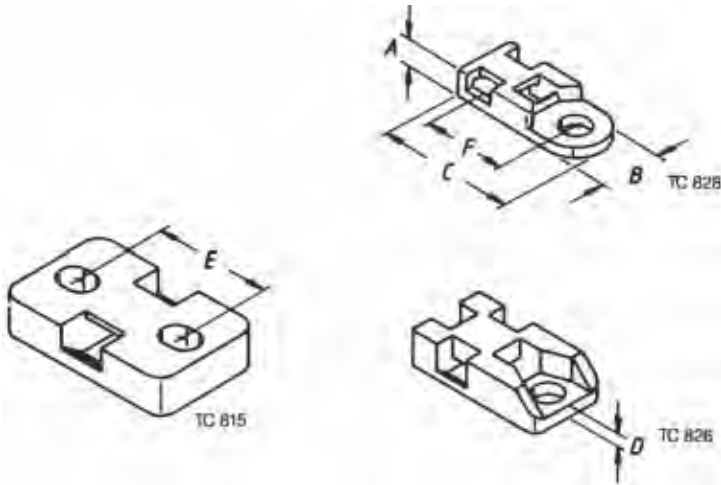
o. r. = on request



Cable accessories

Mounting block TC

a product by Thomas & Betts



TC as screw base

Mounting base for bolting or riveting. Cable binder can be inserted from 4 sides.

Material

Polyamide 6.6
 Colour: transparent

Technical data

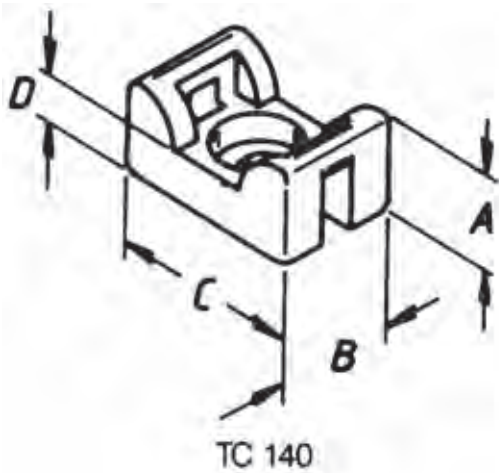
Temperature range: -40°C to +85°C

screwing socket

Part No.	Type	Fixing	A mm	B mm	C mm	D mm	E mm	F mm	Boring mm	Tie width max. mm	Unit	net EUR/100 items at acceptance of		
transparent												up to 1000	1001 - 5000	5001 - 10000
93007	TC 815	Screw-in	6,4	19,0	32,0	-	18,5	-	4,8	7,6	100	o. r.	o. r.	o. r.
93044	TC 826	Screw-in	5,7	13,0	24,0	-	-	-	4,2	4,8	100	o. r.	o. r.	o. r.
93045	TC 828	Screw-in	3,8	10,0	23,0	-	-	-	4,2	4,8	100	o. r.	o. r.	o. r.

o. r. = on request

a product by Thomas & Betts



TC with saddle

Mounting base with support saddle.

Material

Polyamide 6.6
 Colour: transparent

Technical data

Temperature range: -40°C to +85°C

with saddle

Part No.	Type	Fixing	A mm	B mm	C mm	D mm	E mm	F mm	Boring mm	Tie width max. mm	Unit	net EUR/100 items at acceptance of		
transparent												up to 1000	1001 - 5000	5001 - 10000
93005	TC 140	Screw-in	7,0	8,7	14,2	3,6	-	-	2,8	2,4	100	o. r.	o. r.	o. r.
93003	TC 141	Screw-in	8,2	11,1	17,0	4,0	-	-	3,5	4,8	100	o. r.	o. r.	o. r.
93004	TC 142	Screw-in	11,0	14,2	23,4	5,2	-	-	5,2	7,6	100	o. r.	o. r.	o. r.

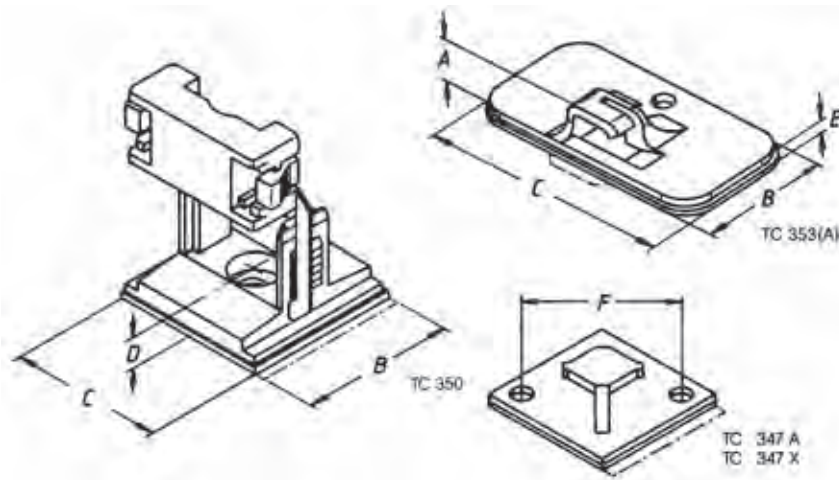
o. r. = on request



Cable accessories

Mounting block TC

a product by Thomas & Betts



TC as adhesive base

Adhesive base with foamed adhesive foil for smoothing out slightly uneven surfaces.
 Adheres to smooth, grease-free surfaces.

Material

Polyamide 6.6
 Colour: transparent

Technical data

Temperature range: -40°C to +85°C

self adhesive

Part No.	Type transparent	Fixing	A mm	B mm	C mm	D mm	E mm	F mm	Boring mm	Tie width max. mm	Unit	net EUR/100 items at acceptance of		
												up to 1000	1001 - 5000	5001 - 10000
93000	TC 344 A	Self-adhesive	5,0	19,2	19,2	-	-	-	-	3,6	100	o. r.	o. r.	o. r.
93001	TC 347 A	Self-adhesive	8,7	29,0	29,0	-	-	-	-	7,6	100	o. r.	o. r.	o. r.
91036	TC 347 X	Screw-in	8,7	29,0	29,0	-	-	-	-	7,6	100	o. r.	o. r.	o. r.
93002	TC 353 A	Self-adhesive	9,0	26,5	52,0	-	-	-	-	4,8	100	o. r.	o. r.	o. r.
91037	TC 349A	Self-adhesive	14,5	-	25,0	2,7	-	2,7	-	-	100	o. r.	o. r.	o. r.
91038	TC 350	Screw-in	21,3	-	25,0	-	-	-	-	-	100	o. r.	o. r.	o. r.

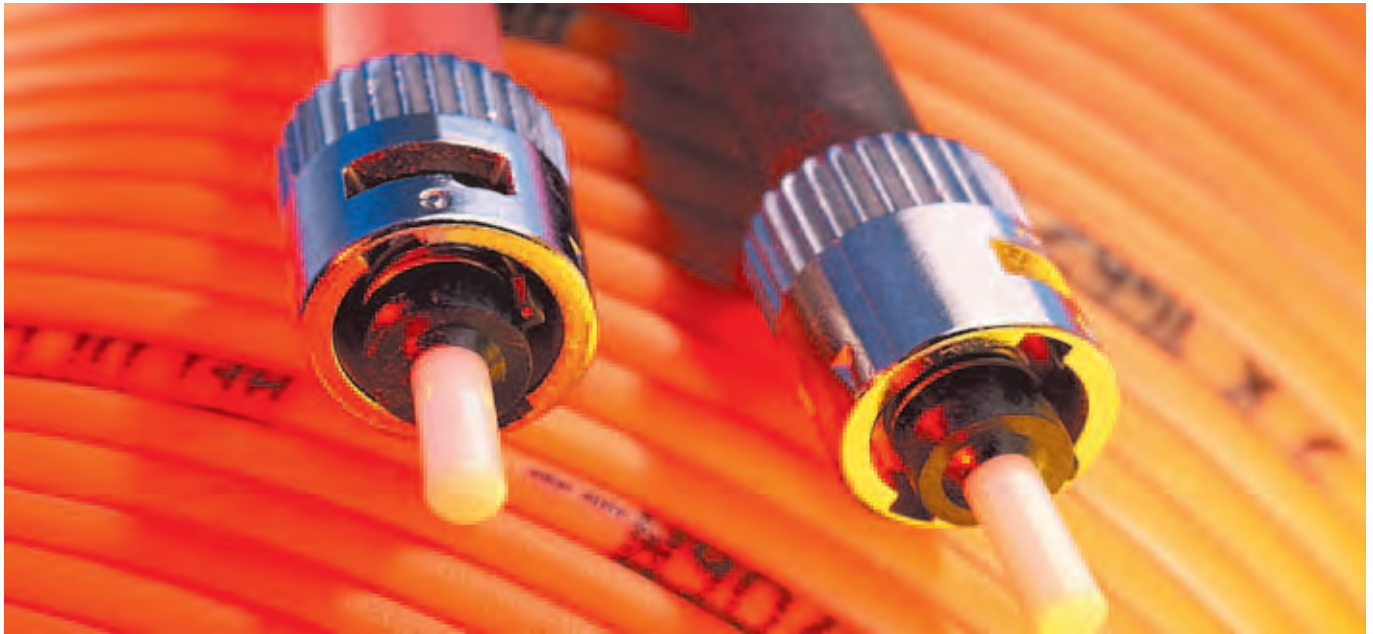
o. r. = on request



Cable accessories

Data, Network & Bus Technics

The complete program, from advice to delivery and installation



LAN and WAN Networks have steadily increased in importance in the last few years, and have become the backbone of company communication.

HELUKABEL® can offer an extensive range of equipment for networking heterogenous systems using Fibre Optic and Copper techniques Products developed by us for passive applications, and active components from well-known manufacturers form the basis of our portfolio.

Our activities can be recognized by the tradenames HELUCOM®, HELUKAT®, HELUCOM CONNECTING SYSTEMS and HELUKAT CONNECTING SYSTEMS.

HELUKABEL® offers the complete spectrum of professional consultation from supply to installation – all from one source.



Cable accessories