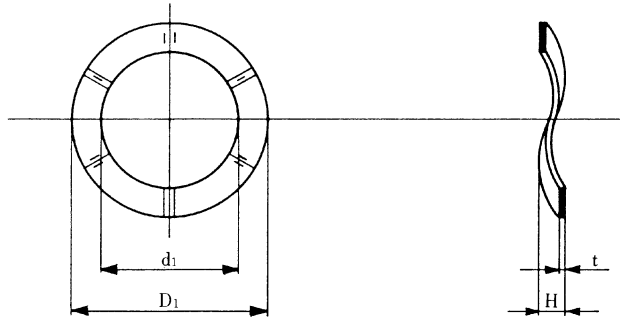


## Wave Washers (For bearing use)



Unit : mm

Size No.	Bearing out dia	d <sub>1</sub>	D <sub>1</sub>	H	t	Applicable bearing Nos.				
BWW- 6 2 4	13	8.8	12.8	1.5	0.15	695		624	633	
6 2 5	16	12	15	2	0.15			625	634	
6 2 6	19	12.7	18.1	2.5	0.2	698	607	626	635	
6 0 8	22	14.5	21	2.4	0.2	6900	608	627	636	
6 2 9	26	19.5	24.8	3.2	0.2		6000	629	637	
6 0 0 1	28	20.9	26.9	3	0.25	6902	6001		638	
6 2 0 0	30	22	28.5	4.1	0.25	6903		6200	639	
6 2 0 1	32	23.5	30.5	4	0.25		6002	6201		
6 2 0 2	35	26.4	33.9	3.5	0.3		6003	6202	6300	
6 2 0 3	40	29.8	38.3	5	0.3			6203		
6 3 0 2	42	30.1	40.6	4.5	0.3	6905	6004		6302	
6 3 0 3	47	33.7	45.5	5	0.3	6906	6005	6204	6303	
6 3 0 4	52	37.5	49	8	0.3			6205	6304	
6 3 0 5	62	47.2	60.2	6.5	0.4	6908	6007	6206	6305	6403
6 3 0 6	72	55	70.5	7	0.45	6910		6207	6306	6404
6 3 0 7	80	61.3	77.8	8.5	0.45	6911	6010	6208	6307	6405
6 3 0 8	90	69	88.5	7	0.6	6913	6011	6210	6308	6406
6 3 0 9	100	79.3	98.8	6.5	0.7	6914	6013	6211	6309	6407
6 3 1 0	110	88.9	108.9	8	0.8	6916	6014	6212	6310	6408
6 3 1 1	120	95.8	118.9	8.5	0.8	6917		6213	6311	6409
6 3 1 2	130	108.3	128.3	11	0.8	6919	6017	6215	6312	6410
6 3 1 3	140	112.4	138.4	11	0.8	6920	6018	6216	6313	6411

●Material=Carbon spring steel. Hardness=HRC40~50. Finish=Phosphate coating.

Note; 1. Free height H shows when 3 waves are at the same height.

2. Internal diameter d<sub>1</sub> shows inscribed circle and outer diameter D<sub>1</sub> shows circumscribed circle.