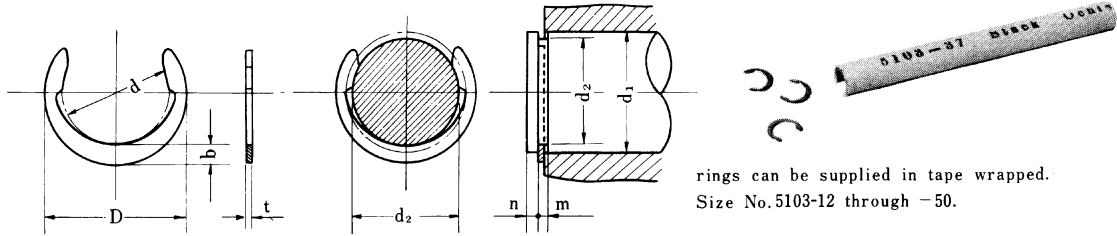


C-Rings

Groove Dimension



rings can be supplied in tape wrapped.
Size No. 5103-12 through -50.

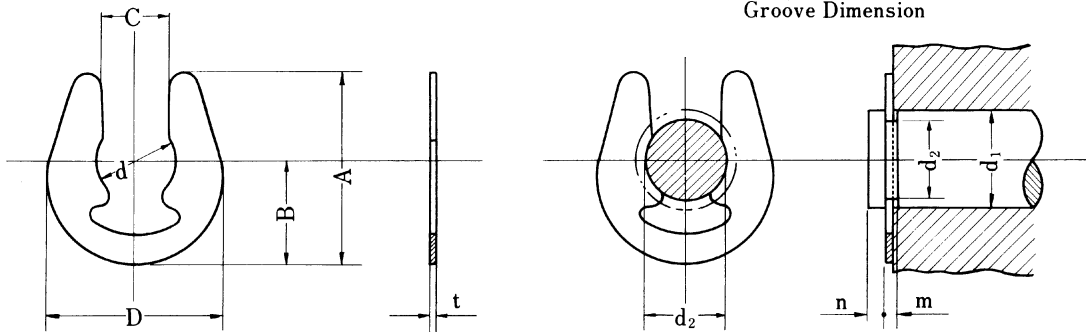
Unit : mm

Size-No.	Ring dimension						Groove dimension							
	d		D	b	t		d ₁	d ₂		m		n (Min.)		
	Basic	Tol.			Basic	Tol.		Basic	Tol.	Basic	Tol.			
5103-12	2.59	+0.05	4.17	0.79	0.4	±0.03	3.2	2.69	±0.04	0.48	+0.04	0.5		
18	4.09	-0.1	6.19	1.05	0.4	±0.04	4.8	4.19	±0.05	0.48	0	0.6		
21	4.75	+0.07	6.99	1.12	0.6		5.6	4.9		0.7	+0.06	0.7		
25	5.36	-0.13	7.9	1.27	0.6		6.4	5.59		0.7	0	0.8		
31	6.86		9.56	1.35	0.6		7.9	7.01		0.7		0.9		
37	8.33		11.37	1.52	0.6		9.5	8.51		0.7		1		
40	9.12		12.32	1.6	0.6		10.3	9.25		0.7		1.1		
43	9.8		13.1	1.65	0.6		11.1	9.98		0.7		1.1		
46	10.54		14	1.73	0.6		11.9	10.69		0.7		1.2		
50	11.2	±0.15	14.76	1.78	0.9		±0.05	12.7		11.43	±0.07	1	+0.08	1.3
56	12.62		16.56	1.98	0.9			14.3		12.88		1	0	1.4
81	18.31	±0.18	23.23	2.46	1.4	±0.06	20.6	18.59		1.5		2.3		

●Material=Carbon spring steel. Hardness=HRC44~52.
Finish=phosphate coating, Zinc plate plus Chromate.

U-Rings

Groove Dimension



Unit : mm

Size-No.	Ring dimension								Groove dimension							
	d		A	D	C		B	t		d ₁		d ₂		m		n Min.
	Basic	Tol.			Basic	Tol.		Basic	Tol.	Min.	Max.	Basic	Tol.	Basic	Tol.	
UTW-3.2	3.2	+0.03	8.7	8	2.8	0	4.6	0.6	±0.04	4	5	3.26	+0.05	0.7	+0.1	1
4	4	-0.1	10	9	3.6	-0.2	5.3	0.7	±0.05	5	7	4.08	0	0.8	0	1.2
5	5		12.8	11.6	4.4		6.8	0.7		6	8	5.1		0.8		1.2
6	6	+0.05	14.8	13.5	5.3	0	8	0.7		7	9	6.1	+0.08	0.8		1.2
7	7	-0.15	17	15	6.2	-0.3	9	0.9		8	11	7.1	0	1		1.5
8	8	±0.05 -0.2	19.5	17.5	7.1		10.5	1		9	12	8.1		1.1		1.8

●Material=Carbon spring steel. Hardness=HRC44~52.
Finish=Phosphate coating, Zinc plate plus Chromate.