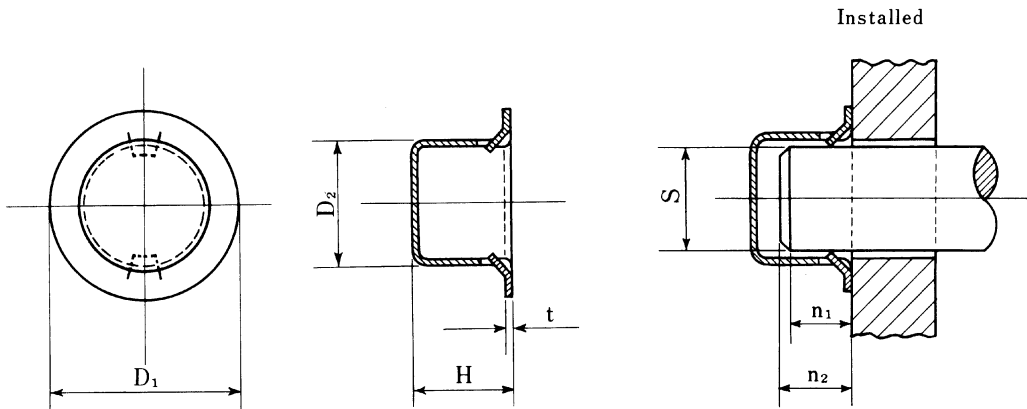


Cap Nuts (F-Type)



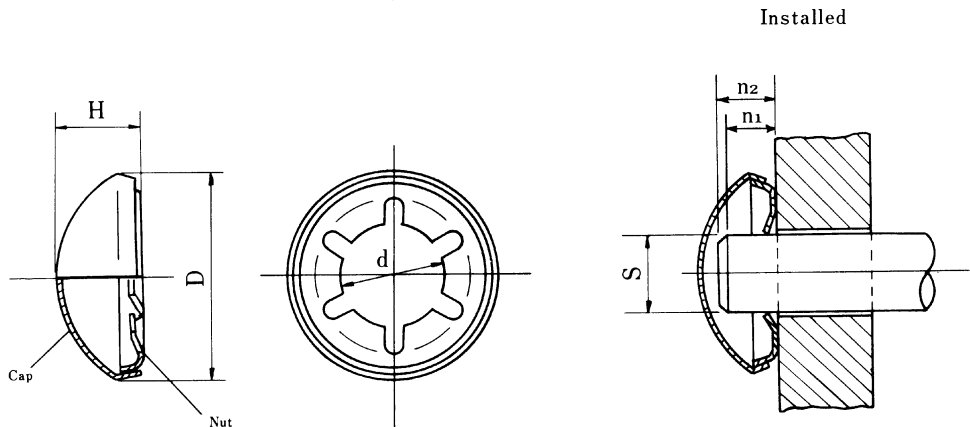
Unit : mm

Size-No.	Nut						Applicable shaft				
	D ₁		D ₂		H		t	S		n ₁ (Min.)	n ₂ (Max.)
	Basic	Tol.	Basic	Tol.	Basic	Tol.		Basic	Tol.		
WS - 5	11.5	±0.2	6	±0.3	5	±0.3	0.4	5	±0.05	3	4
	6		7.1		5		0.45	6		3	4
	8		14.3		9.3		7.3	0.5		8	3

●Material=Carbon spring steel. Hardness=40-50. Finish=Ni plating.

Note; This nut can not use of hardened shaft.

Cap Nuts (D-Type)



Unit : mm

Size-No.	Nut						Applicable shaft						
	d		D		H		t ₁	t ₂	S		n ₁ (Min.)	n ₂ (Max.)	
	Basic	Tol.	Basic	Tol.	Basic	Tol.			Basic	Tol.			
DS - 5	4.9	-0.15	13	±0.3	5.5	±0.3	0.3	0.3	5	+0.05 -0.03	2.5	4	
	6		5.9		15		5.5	0.3	0.3		6	2.5	4
	8		7.9		15.6		5.5	0.3	0.3		8	2.5	4

●Cap: Material=Stainless steel (SUS 304CS).

●Nut: Material=Carbon spring steel. Hardness=HRC 40-50. Finish=Phosphate coating.

Note; This nut can not use of hardened shaft.