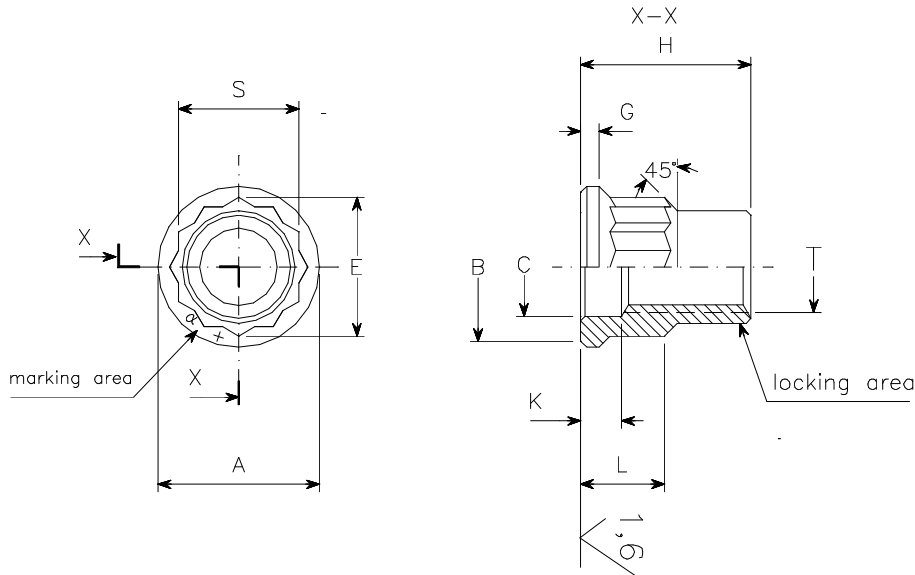


# DP20



dimensions in mm

TABLE 1

| dimension code | thread    | T     | A<br>h12 | B<br>min. | C<br>min. | E<br>min. | G<br>min. | H<br>h14 | K<br>min | L<br>max. | S<br>h12 | Mass<br>(kgx1000) |
|----------------|-----------|-------|----------|-----------|-----------|-----------|-----------|----------|----------|-----------|----------|-------------------|
| 05             | MJ5x0,8   | 4H-6H | 9,1      | 8,3       | 5,5       | 7,8       | 1,2       | 9,4      | 2,4      | 7,5       | 7,0      | 2,5               |
| 06             | MJ6x1     | 4H-5H | 10,6     | 9,8       | 6,5       | 8,9       | 1,2       | 10,8     | 2,7      | 8,3       | 8,0      | 4,3               |
| 07             | MJ7x1     | 4H-5H | 12,1     | 11,3      | 7,5       | 10,0      | 1,2       | 11,8     | 2,7      | 8,8       | 9,0      | 5,9               |
| 08             | MJ8x1     | 4H-5H | 13,6     | 12,8      | 8,5       | 11,2      | 1,2       | 13,1     | 2,7      | 9,6       | 10,0     | 8,8               |
| 10             | MJ10x1,25 | 4H-5H | 16,8     | 15,8      | 10,5      | 13,4      | 1,2       | 16,0     | 2,9      | 11,7      | 12,0     | 13,2              |
| 12             | MJ12x1,25 | 4H-5H | 19,9     | 18,8      | 12,5      | 15,6      | 1,4       | 18,0     | 2,9      | 13,0      | 14,0     | 23,0              |
| 14             | MJ14x1,5  | 4H-5H | 23,0     | 21,9      | 14,5      | 18,9      | 1,7       | 20,7     | 3,2      | 15,8      | 17,0     | 30,3              |
| 16             | MJ16x1,5  | 4H-5H | 26,0     | 24,9      | 16,5      | 21,1      | 1,9       | 23,2     | 3,2      | 17,2      | 19,0     | 42,8              |
| 18             | MJ18x1,5  | 4H-5H | 29,1     | 28        | 18,5      | 24,5      | 2,1       | 25,7     | 3,2      | 19,2      | 22,0     | 59,5              |
| 20             | MJ20x1,5  | 4H-5H | 32,3     | 31,2      | 20,5      | 26,7      | 2,3       | 28,2     | 3,2      | 21,2      | 24,0     | 77,3              |

TABLE 2

| material code | material              | finish                       | hardness<br>HRC | strenght<br>class | temperature<br>class |
|---------------|-----------------------|------------------------------|-----------------|-------------------|----------------------|
| <b>DP20X</b>  | EN2952<br>Inconel 718 | passivation                  | 28-36           | 1550 MPa          | 425° C               |
| <b>DP20L</b>  |                       | passivation+MoS <sub>2</sub> |                 |                   | 315° C               |
| <b>DP20A</b>  |                       | silver plating               |                 |                   | 425° C               |

MATERIAL: Inconel 718 iaw EN2952 or equivalent  
 THREAD: ISO5855 Part 1 and Part 2  
 FINISH: MoS<sub>2</sub> EN2491. Silver plating EN2786  
 PROCUREMENT SPEC. ISO5858  
 MARKING: Manufacturer identification symbol and letters MJ  
 ASTORI CALL UP: Material code- dimension code. Example: DP20L-08 ( passivation + MoS<sub>2</sub> MJ 8x1)

Reference

EN2894

**NUT, 12 POINTS, SELF-LOCKING,  
 NICKEL BASE ALLOY,1550 MPa**

**DP20**