

Adapter Interchange



H-Type		SNW Type
H204 x 17MM	H204	—
H205 x 3/4	HE205	—
H205 x 20MM	H205	—
H206 x 1	HE206	—
H206 x 25MM	H206	—
H207 x 30MM	H207	—
H208 x 1-1/4	HE208	—
H208 x 35MM	H208	—
H209 x 1-1/2	HE209	—
H209 x 40MM	H209	—
H210 x 1-3/4	HE210	—
H210 x 45MM	H210	—
H211 x 2	HE211	—
H211 x 50MM	H211	—
H212 x 55MM	H212	—
H213 x 2-1/4	HE213	—
H213 x 60MM	H213	—
H215 x 2-1/2	HE215	—
H215 x 65MM	H215	—
H216 x 2-3/4	HE216	—
H216 x 70MM	H216	—
H217 x 3	HE217	—
H217 x 75MM	H217	—
H218 x 3-1/4	HE218	—
H218 x 80MM	H218	—
H219 x 85MM	H219	—
H220 x 3-1/2	HE220	—
H220 x 90MM	H220	—
H222 x 4	HE222	—
H222 x 100MM	H222	—
H304 x 5/8	HS304	—
H304 x 17MM	H304	—
H305 x 1-1/16	HA305	—
H305 x 3/4	HE305	SNW05 x 3/4
H305 x 20MM	H305	—
H306 x 15/16	HA306	SNW06 x 15/16
H306 x 1	HE306	SNW06 x 1
H306 x 25MM	H306	—
H307 x 1-1/16	HA307	SNW07 x 1-1/16
H307 x 1-1/8	HS307	SNW07 x 1-1/8
H307 x 1-3/16	HA307	SNW07 x 1-3/16
H307 x 1-1/4	HE307	SNW07 x 1-1/4
H307 x 30MM	H307	—
H308 x 1-1/4	HE308	SNW08 x 1-1/4
H308 x 1-5/16	HA208	SNW08 x 1-5/16
H308 x 1-3/8	HS308	SNW08 x 1-3/8
H308 x 35MM	H308	—
H309 x 1-3/8	—	SNW09 x 1-3/8
H309 x 1-7/16	HA309	SNW09 x 1-7/16
H309 x 1-1/2	HE309	SNW09 x 1-1/2
H309 x 40MM	H309	—
H310 x 1-5/8	HS310	SNW10 x 1-5/8
H310 x 1-11/16	HA310	SNW10 x 1-11/16
H310 x 1-3/4	HE310	SNW10 x 1-3/4
H310 x 45MM	H310	—
H311 x 1-3/4	HE311	SNW11 x 1-3/4
H311 x 1-7/8	HS311	SNW11 x 1-7/8
H311 x 1-15/16	HA311	SNW11 x 1-15/16
H311 x 2	HE311	SNW11 x 2
H311 x 50MM	H311	—

H-Type		SNW Type
H312 x 2	HE312	SNW12 x 2
H312 x 2-1/16	HA312	SNW12 x 2-1/16
H312 x 2-1/8	HS312	SNW12 x 2-1/8
H312 x 55MM	H312	—
H313 x 2	HE313	SNW13 x 2
H313 x 2-1/8	HS313	SNW13 x 2-1/8
H313 x 2-3/16	HA313	SNW13 x 2-3/16
H313 x 2-1/4	HE313	SNW13 x 2-1/4
H313 x 2-5/16	HA313	SNW13 x 2-5/16
H313 x 60MM	H313	—
H314 x 2-5/16	HA314	SNW14 x 2-5/16
H314 x 60MM	H314	—
H315 x 2-3/8	HS315	SNW15 x 2-3/8
H315 x 2-7/16	HA315	SNW15 x 2-7/16
H315 x 2-1/2	HE315	SNW15 x 2-1/2
H315 x 65MM	H315	—
H316 x 2-11/16	HA316	SNW16 x 2-11/16
H316 x 2-3/4	HE316	SNW16 x 2-3/4
H316 x 70MM	H316	—
H317 x 2-15/16	HA317	SNW17 x 2-15/16
H317 x 3	HE317	SNW17 x 3
H317 x 75MM	H317	—
H318 x 3-1/8	HS318	SNW18 x 3-1/8
H318 x 3-3/16	HA318	SNW18 x 3-3/16
H318 x 3-1/4	HE318	SNW18 x 3-1/4
H318 x 80MM	H318	—
H319 x 3-3/16	HA319	SNW19 x 3-3/16
H319 x 3-1/4	HE319	SNW19 x 3-1/4
H319 x 3-3/8	HS319	SNW19 x 3-3/8
H319 x 85MM	H319	—
H320 x 3-7/16	HA320	SNW20 x 3-7/16
H320 x 3-1/2	HE320	SNW20 x 3-1/2
H320 x 90MM	H320	—
H321 x 3-11/16	HA321	SNW21 x 3-11/16
H321 x 3-3/4	HE321	SNW21 x 3-3/4
H321 x 95MM	H321	—
H322 x 3-15/16	HA322	SNW22 x 3-15/16
H322 x 4	HE322	SNW22 x 4
H322 x 100MM	H322	—
H2305 x 3/4	HE2305	—
H2305 x 20MM	H2305	—
H2306 x 7/8	—	—
H2306 x 1-5/16	HA2306	—
H2306 x 1	HE2306	—
H2306 x 25MM	H2306	—
H2307 x 1-1/8	HS2307	—
H2307 x 1-3/16	HA2307	—
H2307 x 30MM	H2307	—
H2308 x 1-1/4	HE2308	SNW108 x 1-1/4
H2308 x 1-5/16	HA2308	SNW108 x 1-5/16
H2308 x 35MM	H2308	—
H2309 x 1-7/16	HA2309	SNW109 x 1-7/16
H2309 x 1-1/2	HE2309	SNW109 x 1-1/2
H2309 x 40MM	H2309	—
H2310 x 1-5/8	HS2310	SNW110 x 1-5/8
H2310 x 1-11/16	HA2310	SNW110 x 1-11/16
H2310 x 1-3/4	HE2310	SNW110 x 1-3/4
H2310 x 45MM	H2310	—
H2311 x 1-7/8	HS2311	SNW111 x 1-7/8
H2311 x 1-15/16	HA2311	SNW111 x 1-15/16

H-Type		SNW Type
H2311 x 2	HE2311	SNW111 x 2
H2311 x 50MM	H2311	—
H2312 x 2-1/8	HS2312	SNW112 x 2-1/8
H2312 x 55MM	H2312	—
H2313 x 2-3/16	HA2313	SNW113 x 2-3/16
H2313 x 2-1/4	HE2313	SNW113 x 2-1/4
H2313 x 2-3/8	HS2313	SNW113 x 2-3/8
H2313 x 60MM	H2313	—
H2314 x 60MM	H2314	—
H2315 x 2-7/16	HA2315	SNW115 x 2-7/16
H2315 x 2-1/2	HE2315	SNW115 x 2-1/2
H2315 x 2-5/8	HS2315	SNW115 x 2-5/8
H2315 x 65MM	H2315	—
H2316 x 2-11/16	HA2316	SNW116 x 2-11/16
H2316 x 2-3/4	HE2316	SNW116 x 2-3/4
H2316 x 70MM	H2316	—
H2317 x 2-15/16	HA2317	SNW117 x 2-15/16
H2317 x 3	HE2317	SNW117 x 3
H2317 x 75MM	H2317	—
H2318 x 3-1/8	HS2318	SNW118 x 3-1/8
H2318 x 3-3/16	HA2318	SNW118 x 3-3/16
H2318 x 3-1/4	HE2318	SNW118 x 3-1/4
H2318 x 80MM	H2318	—
H2319 x 3-1/4	HE2319	SNW119 x 3-1/4
H2319 x 85MM	H2319	—
H2320 x 3-7/16	HA2320	SNW120 x 3-7/16
H2320 x 3-1/2	HE2320	SNW120 x 3-1/2
H2320 x 90MM	H2320	—
H2321 x 95MM	H2321	—
H2322 x 3-15/16	HA2322	SNW122 x 3-15/16
H2322 x 4	HE2322	SNW122 x 4
H2322 x 100MM	H2322	—
H2324 x 4-3/16	HA2324	SNW124 x 4-3/16
H2324 x 4-1/4	HE2324	SNW124 x 4-1/4
H2324 x 110MM	H2324	—
H2326 x 4-7/16	HA2326	SNW126 x 4-7/16
H2326 x 4-1/2	HE2326	SNW126 x 4-1/2
H2326 x 115MM	H2326	—
H2328 x 4-15/16	HA2328	SNW128 x 4-15/16
H2328 x 5	HE2328	SNW128 x 5
H2328 x 125MM	H2328	—
H2330 x 5-3/16	HA2330	SNW130 x 5-3/16
H2330 x 5-1/4	HE2330	SNW130 x 5-1/4
H2330 x 135MM	H2330	—
H2332 x 5-7/16	HA2332	SNW132 x 5-7/16
H2332 x 5-1/2	HE2332	SNW132 x 5-1/2
H2332 x 140MM	H2332	—
H2334 x 5-15/16	HA2334	SNW134 x 5-15/16
H2334 x 6	HE2334	SNW134 x 6
H2334 x 150MM	H2334	—
H2336 x 6-7/16	HA2336	SNW136 x 6-7/16
H2336 x 6-1/2	HE2336	SNW136 x 6-1/2
H2336 x 160MM	H2336	—
H2338 x 6-3/4	HE2338	—
H2338 x 6-15/16	HA2338	SNW138 x 6-15/16
H2338 x 7	—	SNW138 x 7
H2338 x 170MM	H2338	—
H2340 x 7	HE2340	SNW140 x 7
H2340 x 7-3/16	HA2340	SNW140 x 7-3/16
H2340 x 180MM	H2340	—

Adapter Interchange



H-Type		SNW, SNP Type
H2344 x 7-15/16	—	SNW144 x 7-15/16
H2344 x 200MM	H2344	—
H2348 x 8-15/16	—	SNP148 x 8-15/16
H2348 x 220MM	H2348	—
H2352 x 9-7/16	—	SNP152 x 9-7/16
H2352 x 240MM	H2352	—
H2356 x 260MM	H2356	—
H3024 x 4-3/16	HA3224 x 4-3/16	SNW3024 x 4-3/16
H3024 x 4-1/4	HE3024 x 4-1/4	SNW3024 x 4-1/4
H3024 x 110MM	H3024	—
H3026 x 4-7/16	HA3026 x 4-7/16	SNW3026 x 4-7/16
H3026 x 4-1/2	HE3026 x 4-1/2	SNW3026 x 4-1/2
H3026 x 115MM	H3026	—
H3028 x 4-15/16	HA3028 x 4-15/16	SNW3028 x 4-15/16
H3028 x 5	HE3028 x 5	SNW3028 x 5
H3028 x 125MM	H3028	—
H3030 x 5-3/16	HA3030 x 5-3/16	SNW3030 x 5-3/16
H3030 x 5-1/4	HE3030 x 5-1/4	SNW3030 x 5-1/4
H3030 x 135MM	H3030	—
H3032 x 5-7/16	HA3032 x 5-7/16	SNW3032 x 5-7/16
H3032 x 5-1/2	HE3032 x 5-1/2	SNW3032 x 5-1/2
H3032 x 140MM	H3032	—
H3034 x 5-15/16	HA3034 x 5-15/16	SNW3034 x 5-15/16
H3034 x 6	HE3034 x 6	SNW3034 x 6
H3034 x 150MM	H3034	—
H3036 x 6-7/16	HA3036 x 6-7/16	SNW3036 x 6-7/16
H3036 x 6-1/2	HE3036 x 6-1/2	SNW3036 x 6-1/2
H3036 x 160MM	H3036	—
H3038 x 6-15/16	HA3038	SNW3038 x 6-15/16
H3038 x 170MM	H3038	—
H3040 x 7-3/16	HA3040 x 7-3/16	SNW3040 x 7-3/16
H3040 x 180MM	H3040	—
H3044 x 200MM	H3044	—
H3044 x 7-15/16	HA3044 x 7-15/16	SNP3044 x 7-15/16
H3044 x 8	HE3044 x 8	SNP3044 x 8
H3048 x 220MM	H3048	—
H3048 x 8-7/16	HA3048 x 8-7/16	SNP3048 x 8-7/16
H3048 x 8-1/2	HE3048 x 8-1/2	SNP3048 x 8-1/2
H3048 x 8-15/16	HA3048 x 8-15/16	SNP3048 x 8-15/16
H3048 x 9	HE3048 x 9	SNP3048 x 9
H3052 x 240MM	H3052	—
H3052 x 9-7/16	HA3052 x 9-7/16	SNP3052 x 9-7/16
H3052 x 9-1/2	HE3052 x 9-1/2	SNP3052 x 9-1/2
H3056 x 260MM	H3056	—
H3056 x 9-15/16	HA3056 x 9-15/16	SNP3056 x 9-15/16
H3056 x 10	HE3056 x 10	SNP3056 x 10
H3056 x 10-7/16	HA3056 x 10-7/16	SNP3056 x 10-7/16
H3056 x 10-1/2	HE3056 x 10-1/2	SNP3056 x 10-1/2
H3060 x 250MM	H3060	—
H3060 x 10-15/16	HA3060 x 10-15/16	SNP3060 x 10-15/16
H3060 x 11	HE3060 x 11	SNP3060 x 11
H3064 x 300MM	H3064	—
H3064 x 11-7/16	HA3064 x 11-7/16	SNP3064 x 11-7/16
H3064 x 11-1/2	HE3064 x 11-1/2	SNP3064 x 11-1/2
H3064 x 11-15/16	HA3064 x 11-15/16	SNP3064 x 11-15/16
H3064 x 12	HE3064 x 12	SNP3064 x 12
H3068 x 320MM	H3064	—
H3068 x 12-7/16	HA3068 x 12-7/16	SNP3068 x 12-7/16
H3068 x 12-1/2	HE3068 x 12-1/2	SNP3068 x 12-1/2
H3072 x 340MM	H3072	—
H3072 x 12-15/16	HA3072 x 12-15/16	SNP3072 x 12-15/16
H3072 x 13	HE3072 x 13	SNP3072 x 13
H3072 x 13-7/16	HA3072 x 13-7/16	SNP3072 x 13-7/16

H-Type		SNW, SNP Type
H3072 x 13-1/2	HE3072 x 13-1/2	SNP3072 x 13-1/2
H3076 x 360MM	H3076	—
H3076 x 13-15/16	HA3076 x 13-15/16	SNP3076 x 13-15/16
H3076 x 14	HE3076 x 14	SNP3076 x 14
H3080 x 380MM	H3080	—
H3080 x 14-15/16	HA3080 x 14-15/16	SNP3080 x 14-15/16
H3080 x 15	HE3080 x 15	SNP3080 x 15
H3084 x 400MM	H3084	—
H3084 x 15-3/4	HE3084 x 15-3/4	SNP3084 x 15-3/4
H3088 x 16-1/2	HE3088 x 16-1/2	SNP3088 x 16-1/2
H3092 x 17	HE3092 x 17	SNP3092 x 17
H3096 x 18	HE3096 x 18	SNP3096 x 18
H3120 x 3-7/16	HA3120 x 3-7/16	SNW3120 x 3-7/16
H3120 x 3-1/2	HE3120 x 3-1/2	SNW3120 x 3-1/2
H3120 x 90MM	H3120	—
H3122 x 3-11/16	—	SNW3122 x 3-11/16
H3122 x 3-15/16	HA3122 x 3-15/16	SNW3122 x 3-15/16
H3122 x 4	HE3122 x 4	SNW3122 x 4
H3122 x 100MM	H3122	—
H3124 x 4-3/16	HA3124 x 4-3/16	SNW3124 x 4-3/16
H3124 x 4-1/4	HE3124 x 4-1/4	SNW3124 x 4-1/4
H3124 x 110MM	H3124	—
H3126 x 4-7/16	HA3126 x 4-7/16	SNW3126 x 4-7/16
H3126 x 4-1/2	HE3126 x 4-1/2	SNW3126 x 4-1/2
H3126 x 115MM	H3126	—
H3128 x 4-15/16	HA3128 x 4-15/16	SNW3128 x 4-15/16
H3128 x 5	HE3128 x 5	SNW3128 x 5
H3128 x 125MM	H3128	—
H3130 x 5-3/16	HA3130 x 5-3/16	SNW3130 x 5-3/16
H3130 x 5-1/4	HE3130 x 5-1/4	SNW3130 x 5-1/4
H3130 x 135MM	H3130	—
H3132 x 5-7/16	HA3132 x 5-7/16	SNW3132 x 5-7/16
H3132 x 5-1/2	HE3132 x 5-1/2	SNW3132 x 5-1/2
H3132 x 140MM	H3132	—
H3134 x 5-15/16	HA3134 x 5-15/16	SNW3134 x 5-15/16
H3134 x 6	HE3134 x 6	SNW3134 x 6
H3134 x 150MM	H3134	—
H3136 x 6-7/16	HA3136 x 6-7/16	SNW3136 x 6-7/16
H3136 x 6-1/2	HE3136	—
H3136 x 160MM	H3136	—
H3138 x 6-15/16	HA3138 x 6-15/16	SNW3138 x 6-15/16
H3138 x 170MM	H3138	—
H3140 x 7-3/16	HA3140 x 7-3/16	SNW3140 x 7-3/16
H3140 x 180MM	H3140	—
H3144 x 7-15/16	HA3144 x 7-15/16	SNW3144 x 7-15/16
H3144 x 8	HE3144 x 8	SNW3144 x 8
H3144 x 200MM	H3144	—
H3148 x 8-1/2	HE3148 x 8-1/2	SNP3148 x 8-1/2
H3148 x 220MM	H3148	—
H3152 x 240MM	H3152	—
H3152 x 9-7/16	H3152 x 9-7/16	SNP3152 x 9-7/16
H3152 x 9-1/2	HE3152 x 9-1/2	SNP3152 x 9-1/2
H3156 x 260MM	H3156	—
H3156 x 9-15/16	HA3156 x 9-15/16	SNP3156 x 9-15/16
H3156 x 10	HE3156 x 10	SNP3156 x 10
H3156 x 10-7/16	HA3156 x 10-7/16	SNP3156 x 10-7/16
H3156 x 10-1/2	HE3156 x 10-1/2	SNP3156 x 10-1/2
H3160 x 280MM	H3160	—
H3160 x 10-15/16	HA3160 x 10-15/16	SNP3160 x 10-15/16
H3160 x 11	HE3160 x 11	SNP3160 x 11

H-Type		SNW, SNP Type
H3164 x 300MM	H3164	—
H3164 x 11-7/16	HA3164 x 11-7/16	SNP3164 x 11-7/16
H3164 x 11-1/2	HE3164 x 11-1/2	SNP3164 x 11-1/2
H3164 x 11-15/16	H3164 x 11-15/16	SNP3164 x 11-15/16
H3164 x 12	HE3164 x 12	SNP3164 x 12
H3168 x 320MM	H3168	—
H3168 x 12-7/16	HA3168 x 12-7/16	SNP3168 x 12-7/16
H3168 x 12-1/2	HE3168 x 12-1/2	SNP3168 x 12-1/2
H3172 x 340MM	H3172	—
H3172 x 12-15/16	HA3172 x 12-15/16	SNP3172 x 12-15/16
H3172 x 13	HE3172 x 13	SNP3172 x 13
H3172 x 13-7/16	HA3172 x 13-7/16	SNP3172 x 13-7/16
H3172 x 13-1/2	HE3172 x 13-1/2	SNP3172 x 13-1/2
H3176 x 360MM	H3176	—
H3176 x 13-15/16	HA3176 x 13-15/16	SNP3176 x 13-15/16
H3176 x 14	HE3176 x 14	SNP3176 x 14
H3180 x 380MM	H3180	—
H3180 x 14-15/16	HA3180 x 14-15/16	SNP3180 x 14-15/16
H3180 x 15	HE3180 x 15	SNP3180 x 15
H3184 x 400MM	H3184	—
H3184 x 15-3/4	HE3184 x 15-3/4	SNP3184 x 15-3/4
H3188 x 16-1/2	HE3188 x 16-1/2	SNP3188 x 16-1/2
H3192 x 17	HE3192 x 17	SNP3192 x 17
H3196 x 18	HE3196 x 18	SNP3196 x 18
H3252 x 240MM	H3252	—
H3252 x 9-7/16	HA3252 x 9-7/16	SNP3252 x 9-7/16
H3252 x 9-1/2	HE3252 x 9-1/2	SNP3252 x 9-1/2
H3256 x 260MM	H3256	—
H3256 x 9-15/16	HA3256 x 9-15/16	SNP3256 x 9-15/16
H3256 x 10	HE3256 x 10	SNP3256 x 10
H3256 x 10-7/16	HA3256 x 10-7/16	SNP3256 x 10-7/16
H3256 x 10-1/2	HE3256 x 10-1/2	SNP3256 x 10-1/2
H3260 x 280MM	H3260	—
H3260 x 10-15/16	HA3260 x 10-15/16	SNP3260 x 10-15/16
H3260 x 11	HE3260 x 11	SNP3260 x 11
H3264 x 300MM	H3264	—
H3264 x 11-7/16	HA3264 x 11-7/16	SNP3264 x 11-7/16
H3264 x 11-1/2	HE3264 x 11-1/2	SNP3264 x 11-1/2
H3264 x 11-15/16	HA3264 x 11-15/16	SNP3264 x 11-15/16
H3264 x 12	HE3264 x 12	SNP3264 x 12
H3268 x 320MM	H3268	—
H3268 x 12-7/16	HA3268 x 12-7/16	SNP3268 x 12-7/16
H3268 x 12-1/2	HE3268 x 12-1/2	SNP3268 x 12-1/2
H3272 x 340MM	H3272	—
H3272 x 12-15/16	HA3272 x 12-15/16	SNP3272 x 12-15/16
H3272 x 13	HE3272 x 13	SNP3272 x 13
H3272 x 13-7/16	HA3272 x 13-7/16	SNP3272 x 13-7/16
H3272 x 13-1/2	HE3272 x 13-1/2	SNP3272 x 13-1/2
H3276 x 360MM	H3276	—
H3276 x 13-15/16	HA3276 x 13-15/16	SNP3276 x 13-15/16
H3276 x 14	HA3276 x 14	SNP3276 x 14
H3280 x 380MM	H3280	—
H3280 x 14-15/16	HA3280 x 14-15/16	SNP3280 x 14-15/16
H3280 x 15	HE3280 x 15	SNP3280 x 15
H3284 x 400MM	H3284	—
H3284 x 15-3/4	HE3284 x 15-3/4	SNP3284 x 15-3/4
H3288 x 16-1/2	HE3288 x 16-1/2	SNP3288 x 16-1/2
H3292 x 17	HE3292 x 17	SNP3292 x 17
H3296 x 18	HE3296 x 18	SNP3296 x 18

Note: SNW-Type adapters use N or AN nuts with inch threads, H-Type adapters are interchangeable and use standard KM nuts with metric threads. Both are industry standard.

Adapter Sleeves

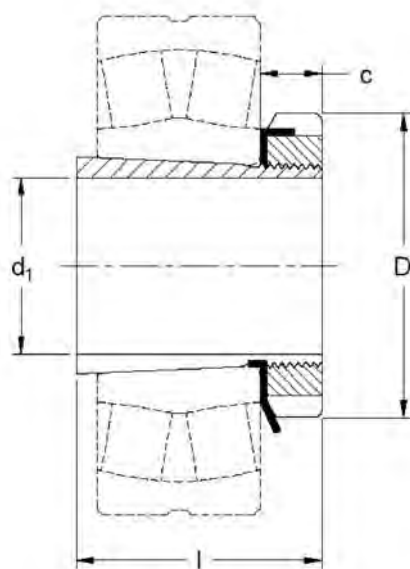


SNW 00 Series

Inch Bores

With Nut and Washer

For 222 Series Spherical Bearings
(also used with 1200, 1300, and 2200 Series Ball Bearings).



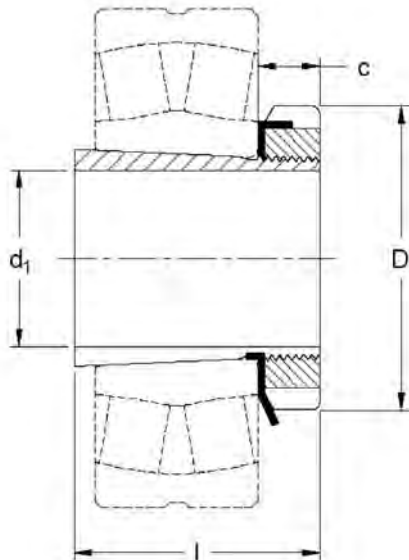
Part No.	Dimension (in)				Nut	Lock Washer	Weight lb
	d ₁	l	D	c			
SNW05 x 3/4	3/4	1.27	1.56	0.46	N05	W05	0.2
SNW05 x 11/16	11/16	1.27	1.56	0.46	N05	W05	0.3
SNW06 x 15/16	15/16	1.35	1.75	0.46	N06	W06	0.2
SNW06 x 1	1	1.35	1.75	0.46	N06	W06	0.2
SNW07 x 1-1/16	1-1/16	1.46	2.06	0.48	N07	W07	0.4
SNW07 x 1-1/8	1-1/8	1.46	2.06	0.48	N07	W07	0.3
SNW07 x 1-1/4	1-1/4	1.46	2.06	0.48	N07	W07	0.3
SNW07 x 1-3/16	1-3/16	1.46	2.06	0.48	N07	W07	0.3
SNW08 x 1-1/4	1-1/4	1.50	2.25	0.50	N08	W08	0.4
SNW08 x 1-3/8	1-3/8	1.50	2.25	0.50	N08	W08	0.4
SNW08 x 1-5/16	1-5/16	1.50	2.25	0.50	N08	W08	0.4
SNW09 x 1-3/8	1-3/8	1.58	2.53	0.50	N09	W09	0.6
SNW09 x 1-7/16	1-7/16	1.58	2.53	0.50	N09	W09	0.6
SNW09 x 1-1/2	1-1/2	1.58	2.53	0.50	N09	W09	0.6
SNW10 x 1-11/16	1-11/16	1.77	2.69	0.56	N10	W10	0.7
SNW10 x 1-5/8	1-5/8	1.77	2.69	0.56	N10	W10	0.7
SNW10 x 1-3/4	1-3/4	1.77	2.69	0.56	N10	W10	0.7
SNW11 x 1-13/16	1-13/16	1.85	2.97	0.56	N11	W11	0.8
SNW11 x 1-3/4	1-3/4	1.85	2.97	0.56	N11	W11	0.8
SNW11 x 1-7/8	1-7/8	1.85	2.97	0.56	N11	W11	0.8
SNW11 x 1-15/16	1-15/16	1.85	2.97	0.56	N11	W11	0.9
SNW11 x 2	2	1.85	2.97	0.56	N11	W11	0.9
SNW13 x 2	2	2.10	3.38	0.63	N13	W13	1.0
SNW13 x 2-3/16	2-3/16	2.10	3.38	0.63	N13	W13	1.4
SNW13 x 2-1/4	2-1/4	2.10	3.38	0.63	N13	W13	1.4
SNW13 x 2-5/16	2-5/16	2.10	3.38	0.63	N13	W13	1.3
SNW15 x 2-3/8	2-3/8	2.30	3.88	0.67	AN15	W15	2.4
SNW15 x 2-1/2	2-1/2	2.30	3.88	0.67	AN15	W15	2.3
SNW15 x 2-7/16	2-7/16	2.30	3.88	0.67	AN15	W15	2.2
SNW15 x 2-5/8	2-5/8	2.30	3.88	0.67	AN15	W15	2.2
SNW16 x 2-11/16	2-11/16	2.38	4.16	0.67	AN16	W16	2.4
SNW16 x 2-3/4	2-3/4	2.38	4.16	0.67	AN16	W16	2.4
SNW17 x 2-15/16	2-15/16	2.49	4.41	0.70	AN17	W17	2.9
SNW17 x 3	3	2.49	4.41	0.70	AN17	W17	2.9
SNW18 x 3-3/16	3-3/16	2.65	4.66	0.78	AN18	W18	4.0
SNW18 x 3-1/4	3-1/4	2.49	4.66	0.78	AN18	W18	4.0
SNW20 x 3-7/16	3-7/16	2.87	5.19	0.84	AN20	W20	4.0
SNW20 x 3-1/2	3-1/2	2.87	5.19	0.84	AN20	W20	4.0
SNW22 x 3-11/16	3-11/16	3.21	5.72	0.91	AN22	W22	4.9
SNW22 x 3-15/16	3-15/16	3.21	5.72	0.91	AN22	W22	4.8
SNW22 x 4	4	3.21	5.72	0.91	AN22	W22	4.8
SNW24 x 4-3/16	4-3/16	3.47	6.13	0.94	AN24	W24	6.2
SNW24 x 4-1/4	4-1/4	3.47	6.13	0.94	AN24	W24	6.2
SNW26 x 4-7/16	4-7/16	3.76	6.75	1.00	AN26	W26	9.7
SNW26 x 4-1/2	4-1/2	3.76	6.75	1.00	AN26	W26	9.7
SNW28 x 4-7/8	4 7/8	3.98	7.09	1.06	AN28	W28	10.5
SNW28 x 4-15/16	4-15/16	3.98	7.09	1.06	AN28	W28	10.5
SNW28 x 5	5	3.98	7.09	1.06	AN28	W28	10.5
SNW30 x 5-3/16	5-3/16	4.24	7.69	1.13	AN30	W30	16.0
SNW30 x 5-1/4	5-1/4	4.24	7.69	1.13	AN30	W30	16.0
SNW32 x 5-7/16	5-7/16	4.58	8.06	1.19	AN32	W32	16.0
SNW32 x 5-1/2	5-1/2	4.58	8.06	1.19	AN32	W32	16.0
SNW32 x 5-3/4	5-3/4	4.58	8.06	1.19	AN32	W32	16.0
SNW34 x 5-15/16	5-15/16	4.85	8.66	1.22	AN34	W34	19.5
SNW34 x 6	6	4.85	8.66	1.22	AN34	W34	19.5
SNW36 x 6-7/16	6-7/16	5.04	9.06	1.25	AN36	W36	20.5
SNW36 x 6-1/2	6-1/2	5.04	9.06	1.25	AN36	W36	20.5
SNW38 x 6-15/16	6-15/16	5.26	9.47	1.28	AN38	W38	23.5
SNW38 x 7	7	5.26	9.47	1.28	AN38	W38	23.5
SNW40 x 7-3/16	7-3/16	5.48	9.84	1.34	AN40	W40	30.5
SNW40 x 7-3/8	7-3/8	5.48	9.84	1.34	AN40	W40	30.5
SNW44 x 7-1/2	7-1/2	5.90	11.00	1.41	AN44	W44	32.5
SNW44 x 7-7/8	7-7/8	5.90	11.00	1.41	AN44	W44	32.5
SNW44 x 7-15/16	7-15/16	5.90	11.00	1.41	AN44	W44	32.5
SNW44 x 8	8	5.90	11.00	1.41	AN44	W44	32.5

Adapter Sleeves

SNW100 Series SNW3000 Series Inch Bores

With Nut and Washer

For 223 and 232 Series
Spherical Bearings



For 230 Series Spherical
Bearings



Part No.	Dimension (in)				Nut	Lock Washer	Weight lb
	d ₁	l	D	c			
SNW109 x 1-7/16	1-7/16	2.13	2.53	0.50	N09	W09	0.7
SNW109 x 1-1/2	1-1/2	2.13	2.53	0.50	N09	W09	0.7
SNW110 x 1-11/16	1-11/16	2.39	2.69	0.56	N10	W10	0.9
SNW110 x 1-3/4	1-3/4	2.39	2.69	0.56	N10	W10	0.9
SNW111 x 1-7/8	1-7/8	2.52	2.97	0.56	N11	W11	0.9
SNW111 x 1-15/16	1-15/16	2.52	2.97	0.56	N11	W11	0.9
SNW111 x 2	2	2.52	2.97	0.56	N11	W11	0.9
SNW113 x 2-1/4	2-1/4	2.77	3.38	0.63	N13	W13	1.8
SNW113 x 2-3/16	2-3/16	2.77	3.38	0.63	N13	W13	1.8
SNW115 x 2-3/8	2-3/8	3.08	3.88	0.70	AN15	W15	3.0
SNW115 x 2-7/16	2-7/16	3.08	3.88	0.70	AN15	W15	3.0
SNW115 x 2-1/2	2-1/2	3.08	3.88	0.70	AN15	W15	3.0
SNW116 x 2-11/16	2-11/16	3.20	4.16	0.67	AN16	W16	3.2
SNW116 x 2-3/4	2-3/4	3.20	4.16	0.67	AN16	W16	3.2
SNW117 x 2-15/16	2-15/16	3.31	4.41	0.70	AN17	W17	3.4
SNW117 x 3	3	3.31	4.41	0.70	AN17	W17	3.4
SNW118 x 3-3/16	3-3/16	3.55	4.66	0.78	AN18	W18	4.0
SNW118 x 3-1/4	3-1/4	3.55	4.66	0.78	AN18	W18	4.0
SNW120 x 3-7/16	3-7/16	3.97	5.19	0.84	AN20	W20	6.3
SNW120 x 3-1/2	3-1/2	3.97	5.19	0.84	AN20	W20	6.3
SNW122 x 3-11/16	3-11/16	4.35	5.72	0.91	AN22	W22	6.5
SNW122 x 3-15/16	3-15/16	4.35	5.72	0.91	AN22	W22	6.5
SNW122 x 4	4	4.35	5.72	0.91	AN22	W22	6.5
SNW124 x 4-3/16	4-3/16	4.65	6.13	0.94	AN24	W24	7.8
SNW124 x 4-1/4	4-1/4	4.65	6.13	0.94	AN24	W24	7.8
SNW126 x 4-7/16	4-7/16	4.98	6.75	1.00	AN26	W26	12.5
SNW126 x 4-1/2	4-1/2	4.98	6.75	1.00	AN26	W26	12.5
SNW128 x 4-15/16	4-15/16	5.32	7.09	1.06	AN28	W28	13.0
SNW128 x 5	5	5.32	7.09	1.06	AN28	W28	13.0
SNW130 x 5-3/16	5-3/16	5.62	7.69	1.13	AN30	W30	18.0
SNW130 x 5-1/4	5-1/4	5.62	7.69	1.13	AN30	W30	18.0
SNW132 x 5-7/16	5-7/16	5.92	8.06	1.19	AN32	W32	18.0
SNW134 x 5-15/16	5-15/16	6.19	8.66	1.22	AN34	W34	21.0
SNW134 x 6	6	6.19	8.66	1.22	AN34	W34	21.0
SNW136 x 6-7/16	6-7/16	6.46	9.06	1.25	AN36	W36	20.5
SNW136 x 6-1/2	6-1/2	6.46	9.06	1.25	AN36	W36	20.5
SNW138 x 6-15/16	6-15/16	6.76	9.47	1.28	AN38	W38	28.0
SNW138 x 7	7	6.76	9.47	1.28	AN38	W38	28.0
SNW140 x 7-3/16	7-3/16	7.10	9.84	1.34	AN40	W40	35.5
SNW144 x 7-15/16	7-15/16	7.29	11.00	1.41	AN44	W44	46.5
SNW144 x 8	8	7.29	11.00	1.41	AN44	W44	46.5

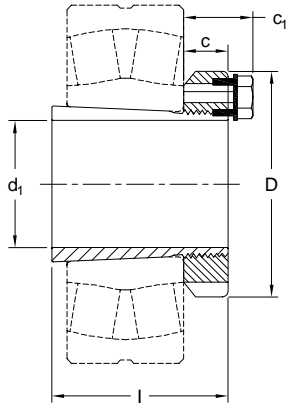
SNW3024 x 4-3/16	4-3/16	2.95	5.69	0.94	N024	W024	6.2
SNW3026 x 4-7/16	4-7/16	3.24	6.13	1.00	N026	W026	7.5
SNW3026 x 4-1/2	4-1/2	3.24	6.13	1.00	N026	W026	7.5
SNW3028 x 4-15/16	4-15/16	3.34	6.50	1.06	N028	W028	8.5
SNW3028 x 5	5	3.34	6.50	1.06	N028	W028	8.5
SNW3030 x 5-3/16	5-3/16	3.49	7.13	1.13	N030	W030	9.8
SNW3030 x 5-1/4	5-1/4	3.49	7.13	1.13	N030	W030	9.8
SNW3032 x 5-7/16	5-7/16	3.71	7.50	1.19	N032	W032	12.0
SNW3034 x 5-15/16	5-15/16	4.02	7.88	1.22	N034	W034	13.5
SNW3034 x 6	6	4.02	7.88	1.22	N034	W034	13.5
SNW3036 x 6-7/16	6-7/16	4.34	8.25	1.25	N036	W036	15.0
SNW3036 x 6-1/2	6-1/2	4.34	8.25	1.25	N036	W036	15.0
SNW3038 x 6-15/16	6-15/16	4.41	8.69	1.28	N038	W038	17.0
SNW3038 x 7	7	4.41	8.69	1.28	N038	W038	17.0
SNW3040 x 7-3/16	7-3/16	4.75	9.44	1.34	N040	W040	19.5
SNW3044 x 7-15/16	7-15/16	5.13	10.25	1.38	N044	W044	24.5
SNW3044 x 8	8	5.13	10.25	1.38	N044	W044	24.5

Adapter Sleeves



SNP 3000 Series Inch Bores

With Nut and Washer
For 230 Series Spherical Bearings

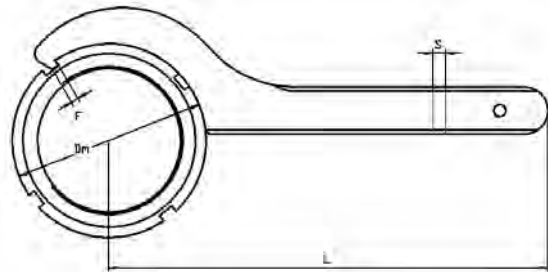


Part No.	Dimension (in)					Nut	Lock Washer	Weight. lb
	d ₁	l	D	c	C ₁			
SNP3048 x 8 7/16	8-7/16	5.43	11.44	1.70	2.17	N048	P48	31.0
SNP3048 x 8 1/2	8-1/2	5.43	11.44	1.70	2.17	N048	P48	31.0
SNP3048 x 8 15/16	8-15/16	5.43	11.44	1.70	2.17	N048	P48	32.0
SNP3048 x 9	9	5.43	11.44	1.70	2.17	N048	P48	32.0
SNP3052 x 9 7/16	9-7/16	6.02	12.19	1.77	2.17	N052	P52	41.0
SNP3052 x 9 1/2	9-1/2	6.02	12.19	1.77	2.17	N052	P52	40.0
SNP3056 x 9 15/16	9-15/16	6.19	13.00	1.86	2.33	N056	P56	47.0
SNP3056 x 10	10	6.19	13.00	1.86	2.33	N056	P56	46.0
SNP3056 x 10 7/16	10-7/16	6.19	13.00	1.86	2.33	N056	P56	45.0
SNP3056 x 10 1/2	10-1/2	6.19	13.00	1.86	2.33	N056	P56	45.0
SNP3060 x 10 15/16	10-15/16	6.73	14.19	1.97	2.44	N060	P60	59.0
SNP3060 x 11	11	6.73	14.19	1.97	2.44	N060	P60	59.0
SNP3064 x 11 1/2	11-1/2	6.95	15.00	2.06	2.57	N064	P64	66.0
SNP3064 x 12	12	6.95	15.00	2.06	2.57	N064	P64	66.0
SNP3068 x 12 7/16	12-7/16	7.54	15.75	2.19	2.70	N068	P68	78.0
SNP3068 x 12 1/2	12-1/2	7.54	15.75	2.19	2.70	N068	P68	78.0
SNP3072 x 13 7/16	13-7/16	7.58	16.50	2.19	2.70	N072	P72	86.0
SNP3076 x 13 15/16	13-15/16	7.74	17.75	2.41	2.96	N076	P76	95.0
SNP3076 x 14	14	7.74	17.75	2.41	2.96	N076	P76	95.0
SNP3080 x 15	15	8.41	18.50	2.56	3.11	N080	P80	100.0
SNP3084 x 15 3/4	15-3/4	8.50	19.31	2.56	3.11	N084	P84	105.0
SNP3088 x 16	16	8.98	20.47	2.36	3.03	N088	P88	143.0
SNP3088 x 16 1/2	16-1/2	8.98	20.47	2.36	3.03	N088	P88	143.0
SNP3092 x 17	17	9.21	21.26	2.36	3.03	N092	P92	153.0
SNP3096 x 18	18	9.33	22.05	2.36	3.03	N096	P96	161.0
SNP3500 x 18 1/2	18-1/2	9.72	22.83	2.68	3.21	N500	P500	180.0

Note: C₁ dimension is approximate.

Spanner Wrenches

22-248mm Diameter Nuts



Part No.	Fits Metric Locknut	Fits Inch Locknut	Dm mm	F mm	L mm	S mm
HN1	KM1	N01	22	2	100	4.7
HN2	KM2	N02	25	2.5	100	4.7
HN3	KM3	N03	28	2.5	100	4.7
HN4	KM4	N04	32	2.5	120	4.7
HN5	KM5	N05	38	3	150	4.7
HN6	KM6	N06	45	3.5	180	6.3
HN7	KM7	N07	52	3.5	180	6.3
HN8	KM8	N08	58	4	210	8
HN9	KM9	N09	65	4	210	8
HN10	KM10	N10	70	4	210	8
HN11	KM11	N11	75	4	210	8
HN12	KM12	N12	80	5	240	8
HN13	KM13	N13	85	5	240	8
HN14	KM14	N14	92	5	240	8
HN15	KM15	AN15	98	5	240	8
HN16	KM16	AN16	105	5	240	8
HN17	KM17	AN17	110	5	280	12.7
HN18	KM18	AN18	120	5	280	12.7

Part No.	Fits Metric Locknut	Fits Inch Locknut	Dm mm	F mm	L mm	S mm
HN19	KM19	AN19	125	5	280	12.7
HN20	KM20	AN20	130	5	280	12.7
HN21	KM21	AN21	140	6	320	12.7
HN22	KM22	N022 / AN22	145	6	320	12.7
HN23	KM23	—	148	11	394	12.7
HN24	KM24	N024 / AN24	153	11	417	12.7
HN25	KM25	—	158	11	429	12.7
HN26	KM26	N026 / AN26	163	11	437	12.7
HN27	KM27	—	173	13	452	15.8
HN28	KM28	N028 / AN28	178	13	464	15.8
HN29	KM29	—	188	13	484	15.8
HN30	KM30	N030 / AN30	193	13	497	15.8
HN31	KM31	—	198	15	509	15.8
HN32/33	KM32/33	N032 / AN32	208	15	519	15.8
HN34	KM34	N034 / AN34	218	15	544	15.8
HN36	KM36	N036 / AN36	228	17	564	15.8
HN38	KM38	N038 / AN38	238	17	584	15.8
HN40	KM40	N040 / AN40	248	17	604	15.8

Adapter Sleeves

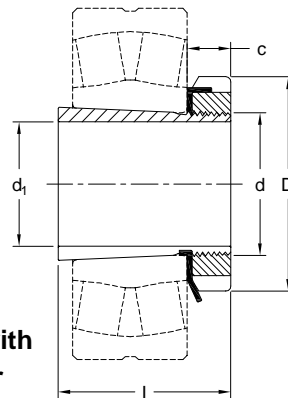
H200 Series

H3000 Series

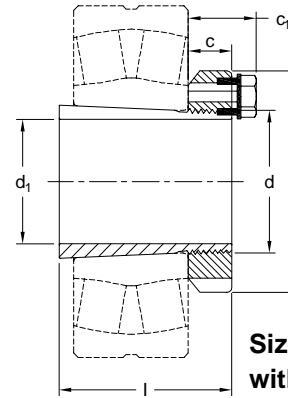
Metric & Inch Bores

For 200 and 230 Series

Spherical Bearings



Sizes thru 40 with
nut and washer



Sizes 44 and up
with locking clip



H 200 Series

Metric Bore		Inch Bore		Other Stock Bores	Dimensions (mm)					Nut	Lock Washer	Weight kg
Part No.	d ₁	Part No.	d ₁		d	l	D	c	c ₁			
H204	17	—	—	—	20	24	32	7	—	KM4	MB4	0.1
H205	20	H205 x 3/4	3/4	—	25	26	38	8	—	KM5	MB5	0.1
H206	25	H206 x 1	1	—	30	27	45	8	—	KM6	MB6	0.1
H207	30	H207 x 1-3/16	1-3/16	—	35	29	52	9	—	KM7	MB7	0.1
H208	35	H208 x 1-1/4	1-1/4	—	40	31	58	10	—	KM8	MB8	0.2
H209	40	H209 x 1-7/16	1-7/16	1-1/2	45	33	65	11	—	KM9	MB9	0.2
H210	45	H210 x 1-11/16	1-11/16	1-3/4	50	35	70	12	—	KM10	MB10	0.3
H211	50	H211 x 1-15/16	1-15/16	2	55	37	75	12	—	KM11	MB22	0.3
H212	55	—	—	—	60	38	80	13	—	KM12	MB12	0.4
H213	60	H213 x 2-3/16	2-3/16	2-1/4	65	40	85	14	—	KM13	MB13	0.4
H214	60	—	—	—	70	41	92	14	—	KM14	MB14	0.6
H215	65	H215 x 2-7/16	2-7/16	2-1/2	75	43	98	15	—	KM15	MB15	0.7
H216	70	H216 x 2-11/16	2-11/16	2-3/4	80	46	105	17	—	KM16	MB16	0.9
H217	75	H217 x 2-15/16	2-15/16	3	85	50	110	18	—	KM17	MB17	1.0
H218	80	H218 x 3-3/16	3-3/16	—	90	52	120	18	—	KM18	MB18	1.2
H219	85	H219 x 3-1/4	3-1/4	—	95	55	125	19	—	KM19	MB19	1.3
H220	90	H220 x 3-7/16	3-7/16	3-1/2	100	58	130	20	—	KM20	MB20	1.5
H221	95	—	—	—	105	60	140	20	—	KM21	MB21	1.7
H222	100	H222 x 4	4	—	110	63	145	21	—	KM22	MB22	1.9

H3000 Series

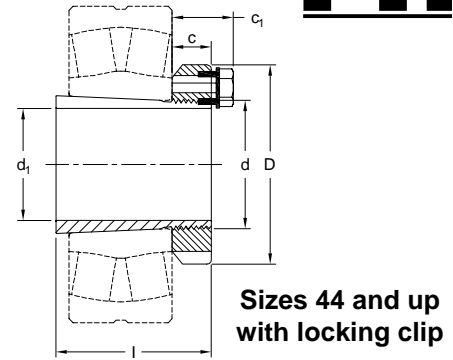
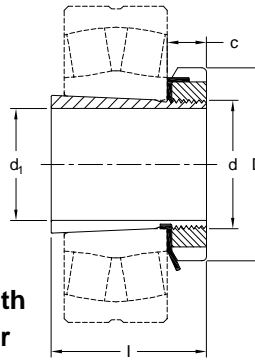
Metric Bore		InchBore		Other Stock Bores	Dimensions (mm)					Nut	Lock Washer	Weight kg
Part No.	d ₁	Part No.	d ₁		d	l	D	c	c ₁			
H3024	110	H3024 x 4-3/16	4-3/16	4-1/4	120	72	145	22	—	KML24	MBL24	2.0
H3026	115	H3026 x 4-7/16	4-7/16	4-1/2	130	80	155	23	—	KML26	MBL26	2.9
H3028	125	H3028 x 4-15/16	4-15/16	5	140	82	165	24	—	KML28	MBL28	3.2
H3030	135	H3030 x 5-3/16	5-3/16	5-1/4	150	87	180	26	—	KML30	MBL30	3.9
H3032	140	H3032 x 5-7/16	5-7/16	5-1/2	160	93	190	27.5	—	KML32	MBL32	5.2
H3034	150	H3034 x 5-15/16	5-15/16	6	170	101	200	28.5	—	KML34	MBL34	6.0
H3036	160	H3036 x 6-7/16	6-7/16	6-1/2	180	109	210	29.5	—	KML36	MBL36	6.9
H3038	170	H3038 x 6-15/16	6-15/16	7	190	112	220	30.5	—	KML38	MBL38	7.5
H3040	180	H3040 x 7-3/16	7-3/16	—	200	120	240	31.5	—	KML40	MBL40	9.2
H3044	200	H3044 x 7-15/16	7-15/16	8	220	128	260	30	41	HM3044	MS3044	10.3
H3048	220	H3048 x 8-7/16	8-7/16	8-1/2, 8-15/16, 9	240	133	290	34	46	HM3048	MS3048	13.2
H3052	240	H3052 x 9-7/16	9-7/16	9-1/2	260	147	310	34	46	HM3052	MS3052	15.3
H3056	260	H3056 x 9-15/16	9-15/16	10, 10-7/16, 10-1/2	280	152	330	38	50	HM3056	MS3056	17.7
H3060	280	H3060 x 10-15/16	10-15/16	11	300	168	360	42	54	HM3060	MS3060	22.8
H3064	300	H3064 x 11-15/16	11-15/16	11-1/2, 12	320	171	380	42	55	HM3064	MS3064	24.6
H3068	320	H3068 x 12-1/2	12-1/2	12-7/16	340	187	400	45	58	HM3068	MS3068	28.7
H3072	340	H3072 x 12-15/16	12-15/16	13, 13-7/16	360	188	420	45	58	HM3072	MS3072	30.5
H3076	360	H3076 x 13-15/16	13-15/16	14	380	193	450	48	62	HM3076	MS3076	35.8
H3080	380	H3080 x 15	15	14-15/16	400	210	470	52	66	HM3080	MS3080	41.3
H3084	400	H3084 x 15-3/4	15-3/4	—	420	212	490	52	66	HM3084	MS3084	43.7
H3088	410	H3088 x 16-1/2	16-1/2	—	440	228	520	60	77	HM3088	MS3088	65.2
H3092	430	H3092 x 17	17	—	460	234	540	60	77	HM3092	MS3092	69.5
H3096	450	H3096 x 18	18	—	480	237	560	60	77	HM3096	MS3096	73.3

Note: Hydraulic Adapter sleeves are also available with oil ducts for hydraulic removal.

Adapter Sleeves



H300 Series (for 222 Series Bearings)
H3100 Series (for 231 Series Bearings)
Metric & Inch Bores



Sizes thru 40 with
nut and washer

Sizes 44 and up
with locking clip

H300 Series

Part No.	Metric Bore	Inch Bore		Other Stock Bores	Dimensions (mm)					Nut	Lock Washer	Weight kg
	d ₁	Part No.	d ₁		d	l	D	c	c ₁			
H304	17	—	—	—	20	28	32	7	—	KM4	MB4	0.1
H305	20	H305 x 3/4	3/4	11/16	25	29	38	8	—	KM5	MB5	0.1
H306	25	H306 x 15/16	15/16	1	30	31	45	8	—	KM6	MB6	0.1
H307	30	H307 x 1-3/16	1-3/16	1-1/8, 1-1/4	35	35	52	9	—	KM7	MB7	0.1
H308	35	H308 x 1-1/4	1-1/4	—	40	36	58	10	—	KM8	MB8	0.2
H309	40	H309 x 1-7/16	1-7/16	1-1/2	45	39	65	11	—	KM9	MB9	0.3
H310	45	H310 x 1-11/16	1-11/16	1-3/4	50	42	70	12	—	KM10	MB10	0.3
H311	50	H311 x 1-15/16	1-15/16	2	55	45	75	12	—	KM11	MB11	0.3
H312	55	H312 x 2-1/8	2-1/8	—	60	47	80	13	—	KM12	MB12	0.4
H313	60	H313 x 2-3/16	2-3/16	2-1/4	65	50	85	14	—	KM13	MB13	0.5
H314	60	H314 x 2-5/16	2-5/16	—	70	52	92	14	—	KM14	MB14	0.7
H315	65	H315 x 2-7/16	2-7/16	2-1/2	75	55	98	15	—	KM15	MB15	0.8
H316	70	H316 x 2-11/16	2-11/16	2-3/4	80	59	105	17	—	KM16	MB16	1.0
H317	75	H317 x 2-15/16	2-15/16	3	85	63	110	18	—	KM17	MB17	1.2
H318	80	H318 x 3-3/16	3-3/16	3-1/4	90	65	120	18	—	KM18	MB18	1.4
H319	85	H319 x 3-5/16	3-5/16	3-3/8	95	68	125	19	—	KM19	MB19	1.6
H320	90	H320 x 3-7/16	3-7/16	3-1/2	100	71	130	20	—	KM20	MB20	1.7
H321	95	H321 x 3-11/16	3-11/16	3-3/4	105	74	140	20	—	KM21	MB21	2.0
H322	100	H322 x 3-15/16	3-15/16	4	110	77	145	21	—	KM22	MB22	2.2

H3100 Series

Part No.	Metric Bore	Inch Bore		Other Stock Bores	Dimensions (mm)					Nut	Lock Washer	Weight kg
	d ₁	Part No.	d ₁		d	l	D	c	c ₁			
H3120	90	H3120 x 3-7/16	3-7/16	3-1/2	100	76	130	20	—	KM20	MB20	1.8
H3122	100	H3122 x 3-15/16	3-15/16	4	110	81	145	21	—	KM22	MB22	2.3
H3124	110	H3124 x 4-3/16	4-3/16	4-1/4	120	88	155	22	—	KM24	MB24	2.7
H3126	115	H3126 x 4-7/16	4-7/16	4-1/2	130	92	165	23	—	KM26	MB26	3.7
H3128	125	H3128 x 4-15/16	4-15/16	5	140	97	180	24	—	KM28	MB28	4.4
H3130	135	H3130 x 5-3/16	5-3/16	5-1/4	150	111	195	26	—	KM30	MB30	5.5
H3132	140	H3132 x 5-7/16	5-7/16	5-1/2	160	119	210	28	—	KM32	MB32	7.7
H3134	150	H3134 x 5-15/16	5-15/16	6	170	122	220	29	—	KM34	MB34	8.4
H3136	160	H3136 x 6-7/16	6-7/16	6-1/2	180	131	230	30	—	KM36	MB36	9.5
H3138	170	H3138 x 6-15/16	6-15/16	7	190	141	240	31	—	KM38	MB38	11.0
H3140	180	H3140 x 7-3/16	7-3/16	—	200	150	250	32	—	KM40	MB40	12.0
H3144	200	H3144 x 7-15/16	7-15/16	8	220	161	280	32	44	HM3144	MS3144	14.7
H3148	220	H3148 x 8-1/2	8-1/2	—	240	172	300	34	46	HM3148	MS3148	17.3
H3152	240	H3152 x 9-1/2	9-1/2	9-7/16	260	190	330	36	49	HM3152	MS3152	22.0
H3156	260	H3156 x 10-7/16	10-7/16	10-1/2	280	195	350	38	51	HM3156	MS3156	24.5
H3160	280	H3160 x 11	11	10-15/16	300	208	380	40	53	HM3160	MS3160	30.2
H3164	300	H3164 x 11-1/2	11-1/2	11-7/16, 11-15/16, 12	320	226	400	42	56	HM3164	MS3164	34.9
H3168	320	H3168 x 12-1/2	12-1/2	12-7/16	340	254	440	55	72	HM3168	MS3168	49.5
H3172	340	H3172 x 13	13	12-15/16, 13-7/16, 13-1/2	360	259	460	58	75	HM3172	MS3172	54.2
H3176	360	H3176 x 14	14	13-15/16	380	264	490	60	77	HM3176	MS3176	61.7
H3180	380	H3180 x 15	15	14-15/16	400	272	520	62	82	HM3180	MS3180	70.6
H3184	400	H3184 x 15-3/4	15-3/4	—	420	304	540	70	90	HM3184	MS3184	84.2
H3188	410	H3188 x 16-1/2	16-1/2	—	440	307	560	70	90	HM3188	MS3188	104.0
H3192	430	H3192 x 17	17	—	460	326	580	75	95	HM3192	MS3192	116.0
H3196	450	H3196 x 18	18	—	480	335	620	75	95	HM3196	MS3196	133.0

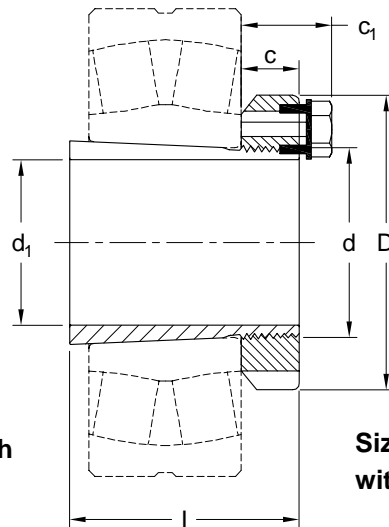
Note: Hydraulic Adapter sleeves, from size OH3132 are also available with oil ducts for hydraulic removal.

Adapter Sleeves

H 2300 Series

For 223 Series Spherical Bearings

Metric & Inch Bores



Sizes thru 40 with
nut and washer

Sizes 44 and up
with locking clip

H2300 Series

Metric Bore		Inch Bore		Other Stock Bores	Dimensions in mm					Nut	Lock Washer	Weight kg
Part No.	d ₁	Part No.			d	l	D	c	c ₁			
H2304	17	—	—	—	20	31	32	7	—	KM4	MB4	0.1
H2305	20	H2305 x 3/4	—	—	25	35	38	8	—	KM5	MB5	0.1
H2306	25	H2306 x 7/8	15/16, 1	—	30	38	45	8	—	KM6	MB6	0.1
H2307	30	H2307 x 1-3/16	1-1/8	—	35	43	52	9	—	KM7	MB7	0.2
H2308	35	H2308 x 1-1/4	1-3/8, 1-5/16	—	40	46	58	10	—	KM8	MB8	0.2
H2309	40	H2309 x 1-7/16	1-1/2	—	45	50	65	11	—	KM9	MB9	0.3
H2310	45	H2310 x 1-11/16	1-3/4	—	50	55	70	12	—	KM10	MB10	0.4
H2311	50	H2311 x 1-7/8	1-15/16, 2	—	55	59	75	12	—	KM11	MB11	0.4
H2312	55	H2312 x 2-1/8	—	—	60	62	80	13	—	KM12	MB12	0.5
H2313	60	H2313 x 2-3/16	2-1/4, 2-3/8	—	65	65	85	14	—	KM13	MB13	0.6
H2314	60	—	—	—	70	68	92	14	—	KM14	MB14	0.9
H2315	65	H2315 x 2-7/16	2-1/2, 2-5/8	—	75	73	98	15	—	KM15	MB15	1.1
H2316	70	H2316 x 2-11/16	2-3/4	—	80	78	105	17	—	KM16	MB16	1.3
H2317	75	H2317 x 2-15/16	3	—	85	82	110	18	—	KM17	MB17	1.5
H2318	80	H2318 x 3-3/16	3-1/4	—	90	86	120	18	—	KM18	MB18	1.7
H2319	85	H2319 x 3-1/4	—	—	95	90	125	19	—	KM19	MB19	1.9
H2320	90	H2320 x 3-7/16	3-1/2	—	100	97	130	20	—	KM20	MB20	2.2
H2321	95	—	-	—	105	101	140	20	—	KM21	MB21	2.5
H2322	100	H2322 x 3-15/16	4	—	110	105	145	21	—	KM22	MB22	2.8
H2324	110	H2324 x 4-3/16	4-1/4	—	120	112	155	22	—	KM24	MB24	3.2
H2326	115	H2326 x 4-7/16	4-1/2	—	130	121	165	23	—	KM26	MB26	4.6
H2328	125	H2328 x 4-15/16	5	—	140	131	180	24	—	KM28	MB28	5.5
H2330	135	H2330 x 5-3/16	5-1/4	—	150	139	195	26	—	KM30	MB30	6.6
H2332	140	H2332 x 5-7/16	5-1/2	—	160	147	210	28	—	KM32	MB32	9.2
H2334	150	H2334 x 5-15/16	6	—	170	154	220	29	—	KM34	MB34	10.0
H2336	160	H2336 x 6-7/16	6-1/2	—	180	161	230	30	—	KM36	MB36	11.0
H2338	170	H2338 x 6-15/16	6-3/4	—	190	169	240	31	—	KM38	MB38	12.5
H2340	180	H2340 x 7-3/16	7	—	200	176	250	32	—	KM40	MB40	14.0
H2344	200	H2344 x 7-15/16	—	—	220	186	280	32	44	HM3144	MS3144	16.7
H2348	220	H2348 x 8-15/16	—	—	240	199	300	34	46	HM3148	MS3148	19.7
H2352	240	H2352 x 9-7/16	—	—	260	211	330	36	49	HM3152	MS3152	24.2
H2356	260	—	—	—	280	224	350	38	51	HM3156	MS3156	27.8

Note: Hydraulic Adapter sleeves, from size OH3132 are also available with oil ducts on the outer and inner diameter for hydraulic removal.

Adapter Sleeves

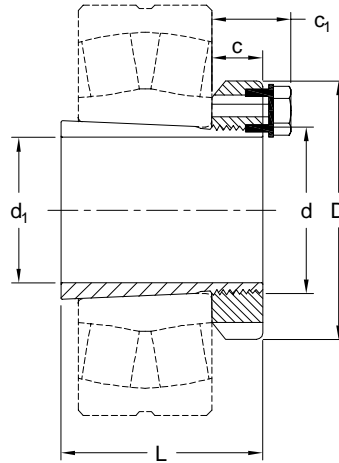


H3200 Series

**Metric & Inch Bores
With Nut and Lock Plate**



**Use with 232 Series
Spherical Bearings**



H3200 Series

Dimensions in mm

Part No.	Metric Bore	Inch Bore		Other Stock Bores	Dimensions (mm)					Standard Nut	Lock Plate	Lock Plate Bolt	Weight kg
	d ₁	Part No.	d ₁		d	L	D	c	c ₁				
H3252	240	H3252 x 9-1/2	9-1/2	9-7/16	260	221	330	36	51	HM3152	MS3152	M8 x 16	21
H3256	260	H3256 x 10	10	9-15/16, 10-7/16, 10-1/2	280	223	350	38	53	HM3156	MS3156	M8 x 16	23
H3260	280	H3260 x 11	11	10-15/16	300	240	380	40	54	HM3160	MS3160	M10 x 30	34
H3264	300	H3264 x 12	12	11-7/16, 11-1/2, 11-15/16	320	258	400	42	55	HM3164	MS3164	M10 x 30	40
H3268	320	H3268 x 12-1/2	12-1/2	12-7/16	340	288	440	55	70	HM3168	MS3168	M12 x 25	55
H3272	340	H3272 x 13	13	12-15/16, 13-7/16, 13-1/2	360	299	460	58	73	HM3172	MS3172	M12 x 25	61
H3276	360	H3276 x 14	14	13-15/16	380	310	490	60	75	HM3176	MS3176	M12 x 25	70
H3280	380	H3280 x 15	15	14-15/16	400	328	520	62	77	HM3180	MS3180	M16 x 30	76
H3284	400	H3284 x 15-3/4	15-3/4	—	420	352	540	70	85	HM3184	MS3184	M16 x 30	94
H3288	410	H3288 x 16-1/2	16-1/2	—	440	361	560	70	85	HM3188	MS3188	M16 x 30	118
H3292	430	H3292 x 17	17	—	460	382	580	75	90	HM3192	MS3192	M16 x 30	132
H3296	450	H3296 x 18	18	—	480	397	620	75	90	HM3196	MS3196	M16 x 30	152

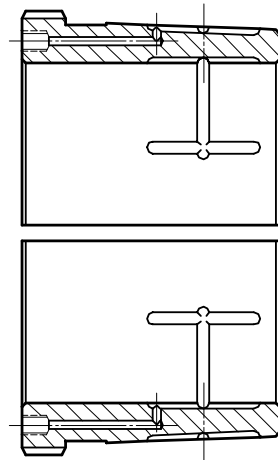
Note: Larger Adapters on request. Sizes to H32/1000 possible. Hydraulic Nuts - E are also available to assist in bearing mounting. See Hydraulic Nut page. Sleeves also available as Hydraulic OH Series Adapters.

Hydraulic Adapter Sleeves

Nuts and Withdrawal Sleeves

Hydraulic Adapter Sleeves and Withdrawal Sleeves are available on bores that exceed 200mm (8" inch). Adding this feature to smaller units is possible when requested.

The oil channels allow hydraulic fluid to expand the bearing inner ring slightly to assist installation and removal. Hydraulic nuts to assist installation are also available.



Hydraulic Adapter Sleeve



Hydraulic Withdrawal Sleeve

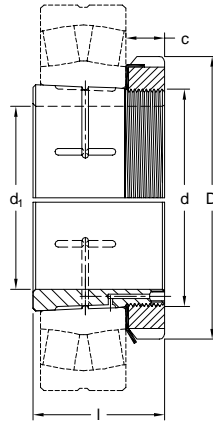


Hydraulic Nut

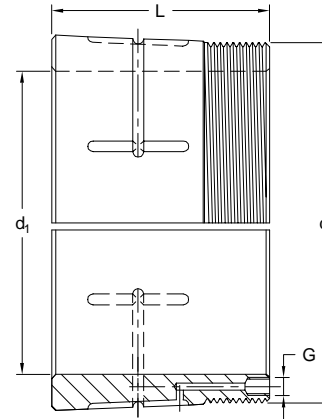
Hydraulic Adapter Sleeves



OH3000 Series
OH3100 Series
Metric & Inch Bores
For 230 and 231 Series
Spherical Bearings



Sizes 44 and up with locking plate



Oil grooves for Hydraulic removal

OH 3000 Series

Metric Bore		Inch Bore		Other Stock Bores	Dimensions (mm)					Nut	Lock Washer	G	Weight kg
Part No.	d ₁	Part No.	d ₁		d	l	D	c	c ₁				
OH3032	140	OH3032 x 5-7/16	5-7/16	5-1/2	160	93	190	27.5	—	KML32	MBL32	M6	5.2
OH3034	150	OH3034 x 5-15/16	5-15/16	6	170	101	200	28.5	—	KML34	MBL34	M6	6.0
OH3036	160	OH3036 x 6-7/16	6-7/16	6-1/2	180	109	210	29.5	—	KML36	MBL36	M6	6.9
OH3038	170	OH3038 x 6-15/16	6-15/16	7	190	112	220	30.5	—	KML38	MBL38	M6	7.5
OH3040	180	OH3040 x 7-3/16	7-3/16	—	200	120	240	31.5	—	KML40	MBL40	M6	9.2
OH3044	200	OH3044 x 7-15/16	7-15/16	8	220	128	260	30	41	HM3044	MS3044	M6	10.3
OH3048	220	OH3048 x 8-7/16	8-7/16	8-1/2, 8-15/16, 9	240	133	290	34	46	HM3048	MS3048	M6	13.2
OH3052	240	OH3052 x 9-7/16	9-7/16	9-1/2	260	147	310	34	46	HM3052	MS3052	M6	15.3
OH3056	260	OH3056 x 9-15/16	9-15/16	10, 10-7/16, 10-1/2	280	152	330	38	50	HM3056	MS3056	M6	17.7
OH3060	280	OH3060 x 10-15/16	10-15/16	11	300	168	360	42	54	HM3060	MS3060	M6	22.8
OH3064	300	OH3064 x 11-15/16	11-15/16	11-1/2, 12	320	171	380	42	55	HM3064	MS3064	M6	24.6
OH3068	320	OH3068 x 12-1/2	12-1/2	12-7/16	340	187	400	45	58	HM3068	MS3068	M6	28.7
OH3072	340	OH3072 x 12-15/16	12-15/16	13, 13-7/16	360	188	420	45	58	HM3072	MS3072	M6	30.5
OH3076	360	OH3076 x 13-15/16	13-15/16	14	380	193	450	48	62	HM3076	MS3076	M6	35.8
OH3080	380	OH3080 x 15	15	14-15/16	400	210	470	52	66	HM3080	MS3080	M6	41.3
OH3084	400	OH3084 x 15-3/4	15-3/4	—	420	212	490	52	66	HM3084	MS3084	M6	43.7
OH3088	410	OH3088 x 16-1/2	16-1/2	—	440	228	520	60	77	HM3088	MS3088	M8	65.2
OH3092	430	OH3092 x 17	17	—	460	234	540	60	77	HM3092	MS3092	M8	69.5
OH3096	450	OH3096 x 18	18	—	480	237	560	60	77	HM3096	MS3096	M8	73.3

OH 3100 Series

Metric Bore		InchBore		Other Stock Bores	Dimensions (mm)					Nut	Lock Washer	G	Weight kg
Part No.	d ₁	Part No.	d ₁		d	l	D	c	c ₁				
OH3132	140	OH3132 x 5-7/16	5-7/16	5-1/2	160	119	210	28	—	KM32	MB32	M6	7.7
OH3134	150	OH3134 x 5-15/16	5-15/16	6	170	122	220	29	—	KM34	MB34	M6	8.4
OH3136	160	OH3136 x 6-7/16	6-7/16	6-1/2	180	131	230	30	—	KM36	MB36	M6	9.5
OH3138	170	OH3138 x 6-15/16	6-15/16	7	190	141	240	31	—	KM38	MB38	M6	11.0
OH3140	180	OH3140 x 7-3/16	7-3/16	—	200	150	250	32	—	KM40	MB40	M6	12.0
OH3144	200	OH3144 x 7-15/16	7-15/16	8	220	161	280	32	44	HM3144	MS3144	M6	14.7
OH3148	220	OH3148 x 8-1/2	8-1/2	—	240	172	300	34	46	HM3148	MS3148	M6	17.3
OH3152	240	OH3152 x 9-1/2	9-1/2	9-7/16	260	190	330	36	49	HM3152	MS3152	M6	22.0
OH3156	260	OH3156 x 10-7/16	10-7/16	10-1/2	280	195	350	38	51	HM3156	MS3156	M6	24.5
OH3160	280	OH3160 x 11	11	10-15/16	300	208	380	40	53	HM3160	MS3160	M6	30.2
OH3164	300	OH3164 x 11-1/2	11-1/2	11-7/16, 11-15/16, 12	320	226	400	42	56	HM3164	MS3164	M6	34.9
OH3168	320	OH3168 x 12-1/2	12-1/2	12-7/16	340	254	440	55	72	HM3168	MS3168	M6	49.5
OH3172	340	OH3172 x 13	13	12-15/16, 13-7/16, 13-1/2	360	259	460	58	75	HM3172	MS3172	M6	54.2
OH3176	360	OH3176 x 14	14	13-15/16	380	264	490	60	77	HM3176	MS3176	M6	61.7
OH3180	380	OH3180 x 15	15	14-15/16	400	272	520	62	82	HM3180	MS3180	M6	70.6
OH3184	400	OH3184 x 15-3/4	15-3/4	—	420	304	540	70	90	HM3184	MS3184	M6	84.2
OH3188	410	OH3188 x 16-1/2	16-1/2	—	440	307	560	70	90	HM3188	MS3188	M8	104.0
OH3192	430	OH3192 x 17	17	—	460	326	580	75	95	HM3192	MS3192	M8	116.0
OH3196	450	OH3196 x 18	18	—	480	335	620	75	95	HM3196	MS3196	M8	133.0

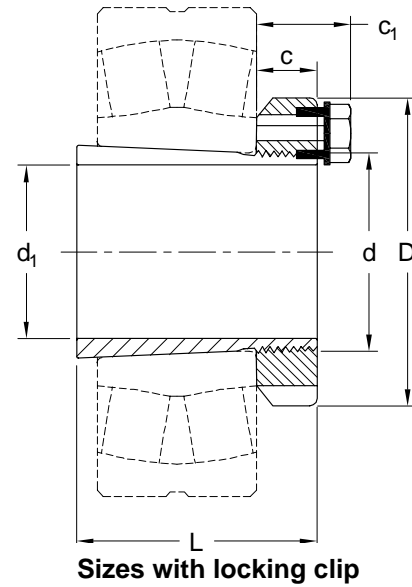
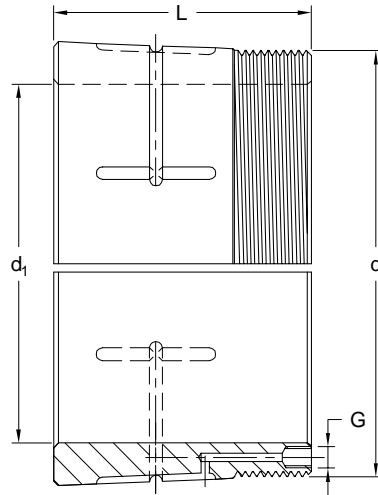
Hydraulic Adapter Sleeves



OH3200 Series Metric and Inch Bores



Use with 232 Series Spherical Bearings



OH3200 Series

Dimensions in mm

Metric Bore		Inch Bore		Other Stock Bores	Dimensions (mm)					Standard Nut	Lock Clip	Lock Clip Threads	G	Wt. kg
Part No.	d ₁	Part No.	d ₁		d	L	D	c	c ₁					
OH3252	240	OH3252 x 9-1/2	9-1/2	9-7/16	260	221	330	36	51	HM3152	MS3152	M8 x 16	M6	21
OH3256	260	OH3256 x 10	10	9-15/16, 10-7/16, 10-1/2	280	223	350	38	53	HM3156	MS3156	M8 x 16	M6	23
OH3260	280	OH3260 x 11	11	10-15/16	300	240	380	40	54	HM3160	MS3160	M10 x 30	M6	34
OH3264	300	OH3264 x 12	12	11-7/16, 11-1/2, 11-15/16	320	258	400	42	55	HM3164	MS3164	M10 x 30	M6	40
OH3268	320	OH3268 x 12-1/2	12-1/2	12-7/16	340	288	440	55	70	HM3168	MS3168	M12 x 25	M6	55
OH3272	340	OH3272 x 13	13	12-15/16, 13-7/16, 13-1/2	360	299	460	58	73	HM3172	MS3172	M12 x 25	M6	61
OH3276	360	OH3276 x 14	14	13-15/16	380	310	490	60	75	HM3176	MS3176	M12 x 25	M6	70
OH3280	380	OH3280 x 15	15	14-15/16	400	328	520	62	77	HM3180	MS3180	M16 x 30	M6	76
OH3284	400	OH3284 x 15-3/4	15-3/4	—	420	352	540	70	85	HM3184	MS3184	M16 x 30	M6	94
OH3288	410	OH3288 x 16-1/2	16-1/2	—	440	361	560	70	85	HM3188	MS3188	M16 x 30	M8	118
OH3292	430	OH3292 x 17	17	—	460	382	580	75	90	HM3192	MS3192	M16 x 30	M8	132
OH3296	450	OH3296 x 18	18	—	480	397	620	75	90	HM3196	MS3196	M16 x 30	M8	152

Note: Other sizes available on request. Hydraulic Nuts HMV--E are stock. Shaft side oil groove optional.

Hydraulic Nuts

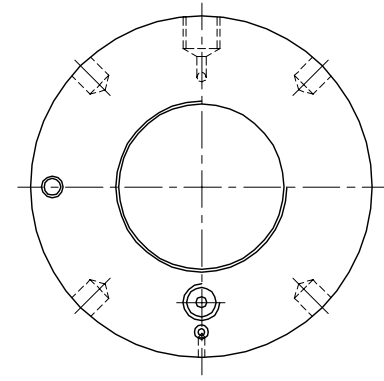
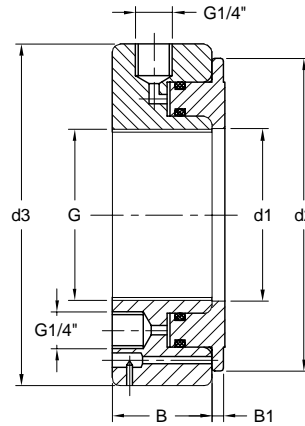


HMV..E Series

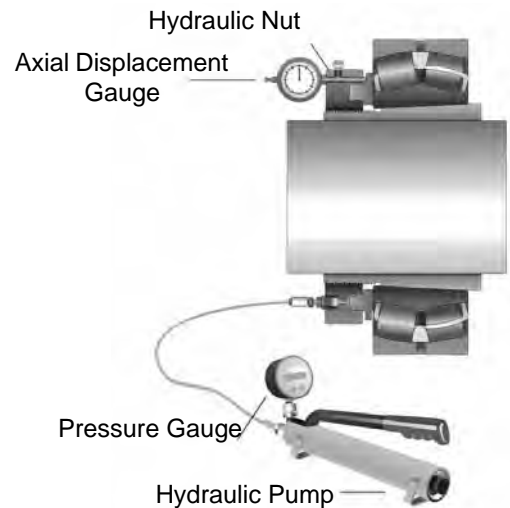
Metric Threads



Accessories Included



HMV..E Hydraulic Nuts are bearing mounting tools and fit on standard H-Series adapters or OH-Series hydraulic adapter sleeves with metric threads. Hydraulic pressure from a pump allows the piston in the face of the HMV Nut to push the bearing inner ring. As the hydraulic pressure increases, the force of the piston gently pushes the tapered bearing up the adapter taper, slightly expanding the bearing inner bore, causing internal clearance to be removed from the bearing, therefore creating a press fit of the inner ring to the shaft. During mounting, the bearing clearance should be measured until the recommended mounted running clearance for the bearing size is achieved. Once the bearing is properly mounted, the HMV nut can be replaced with the standard KM nut and washer or lock clip. Smaller and larger hydraulic nuts are available on request. A gauge mounting hole accommodates an axial gauge (gauge not included) for monitoring of axial movement. Hydraulic Nuts with Inch threads are also available on request. A spanner wrench, extra o-ring seals, nylon screw for gauge retention and hydraulic plugs are included with each nut.



Part No.	G mm	d1 mm	d2 mm	d3 mm	B	B1	Max. Axial Displacement mm	Injection Hole Thread BSP
HMV 28E	M 140x2	140.5	200	208	37	7	5	G1/4"
HMV 30E	M 150x2	150.5	211	220	39	7	5	G1/4"
HMV 32E	M 160x3	160.5	224	232	40	7	6	G1/4"
HMV 34E	M 170x3	170.5	235	244	41	7	6	G1/4"
HMV 36E	M 180x3	180.5	247	256	41	7	6	G1/4"
HMV 38E	M 190x3	191	259	270	42	8	7	G1/4"
HMV 40E	M 200x3	201	271	282	43	8	8	G1/4"
HMV 44E	TR 220x4	222	293	306	43	8	9	G1/4"
HMV 48E	TR 240x4	242	316	330	46	9	10	G1/4"
HMV 52E	TR 260x4	262	341	356	47	9	11	G1/4"
HMV 56E	TR 280x4	282	363	380	49	9	12	G1/4"
HMV 60E	TR 300x4	302	386	404	50	10	14	G1/4"
HMV 64E	TR 320x5	322	409	428	53	10	14	G1/4"
HMV 68E	TR 340x5	342	430	450	54	10	14	G1/4"
HMV 72E	TR 360x5	362	455	472	56	10	15	G1/4"
HMV 76E	TR 380x5	382	476	498	58	11	16	G1/4"
HMV 80E	TR 400x5	402	499	522	60	11	17	G1/4"
HMV 84E	TR 420x5	422	522	546	61	11	17	G1/4"
HMV 88E	TR 440x5	442	543	566	62	12	17	G1/4"
HMV 92E	TR 460x5	462	565	590	64	12	17	G1/4"
HMV 96E	TR 280x5	482	587	612	65	12	19	G1/4"

Larger sizes available on request. Hydraulic nuts with inch threads available on request.