



# Metric Sprockets Overview

## TL Taper Bushed Metric Sprockets



TL Sprockets are stocked in a wide variety of sizes including ISO 06B, 08B, 10B, 12B, 16B and 20B chain sizes (3/8 to 1-1/4" pitch) for single, double and triple chain. These mount with standard TL tapered bushings from 1008 thru 5050 (i.e., thru a 5" or 125mm shaft diameter). TL Sprockets are available in a wide range of diameters to accommodate various application speeds.

The more popular sizes are stocked with hardened teeth. The C45 material, standard steel sprockets, allows for induction hardening of teeth. So all can be heat treated Hardened Teeth on request. The TL Taper Bushed Sprocket provides a true concentric fit to the shaft. As the TL bushing screws are tightened, the bushing compresses around the shaft securely. Standard hex wrenches are the only tool required for installation or removal. Once the bushing mounting screws are loosened and removed, the screw is re-used and threaded into the bushing removal hole. Tightening the removal screw will gently loosen the sprocket. PTI stocks both metric and inch bore TL bushings, a standard global design, which is why the TL sprocket is so versatile. Ease of installation, concentric shaft fit, suitable for higher speeds and heavy loads plus an economical cost, make this the popular choice for new designs and replacement needs. TL sprockets are generally less expensive than custom or finished bored sprockets.

## Hub Type Metric Sprockets



Hub Type Metric Sprockets are available with a minimum plain bore (pilot bore) and some stock finished bore sizes. Any shaft size is possible with our custom bore and keyway capability. Sprockets with hubs are typically fitted to the shaft as a clearance fit.

They are held in place with two set screws and a keyway. Clearance fits are popular for light loads and slow speeds. A press fit (or shrink fit to the shaft) is usually preferred for higher speeds or heavier loads as they fit to the shaft more securely than a clearance fit sprocket. Depending on the clearance of the shaft fit, sprockets may work slightly on the shaft causing possible fretting or shaft wear. All standard hub sprockets are available with hardened teeth from stock or on request.

Press fits usually require the sprocket to be heated for installation to expand the bore. As a heated sprocket cools, it shrinks, conforming to the shaft with a tight grip. A set screw secures the key. The TL Taper Bushed Sprocket will function like the press fit sprocket and generally easier to install.

## Plate Type Metric Sprockets

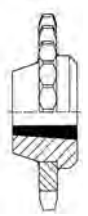


Plate Sprockets for single, double or triple strand chain are an economical choice allowing for direct mounting to the customers' hub or shaft. They are most frequently considered for sprockets above 40 teeth and are available in a wide range of diameters. Plate type sprockets can be welded or bolted directly to the users' hub keeping equipment compact and light weight. They are available in single, double and triple tooth configurations as well.

## Weld on Hubs



A Weld-On-Hub is often used to simplify mounting, especially large diameter sprockets. PTI stocks standard TL Weld-On-Hub sizes. The Weld-On-Hub uses the standard TL bushings as do many of the other standard drive components. TL Bushings are stocked in both metric and inch bores.



## TL Bushings for Weld-On-Hubs or TL Bushed Sprockets



TL Taper Bushings for Weld-On-Hubs and sprockets are stocked from 1008 thru 5050 sizes covering 5" or 125mm shaft sizes. TL Bushings are ideal for replacements and a contemporary solution for upgrading clearance fit and press fit sprockets. TL Bushings are used in a wide variety of other European and American standard drive products.

## Stainless Steel Metric Sprockets



Stainless Steel (AISI 304L) Metric Sprockets provide corrosion resistance and allow wash-down capability. These hub type sprockets can be provided with a finished bore and keyway. Stainless Sprockets cannot be hardened. PTI stocks sizes from ISO 06B thru 16B (3/8" -1" pitch) and from 12 to 25 & 30 teeth. Larger sizes available on request. TL Bushed version also on request.

## Metric Idler and Double-Single Sprockets



Metric Idler Sprockets are plate sprockets with a ball bearing for mounting. These sprockets generally provide tension for the chain drive and can be used within a tension arm assembly or individually mounted to position the drive. Stock sizes are available for ISO 05B thru 20B metric chain sizes.



Double-Single Sprockets, popular on conveyors, allow 2 single chains on a single sprocket to control pairs of rolls or drive units that must index.

## Custom Metric or ANSI Sprockets



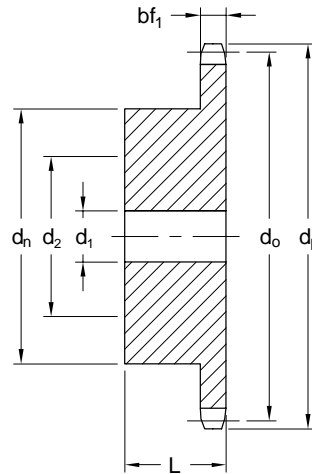
Custom sprockets including large diameter steel or cast iron units for single, duplex or triple strand chain can be made to order. PTI typically keeps some stock in our European warehouse, so delivery could be rather quick. Other custom sprockets sizes for Metric conveyor chain or ANSI chain are also possible. Drawings are preferred to insure requirements are clear. All are possible with custom finished bore or bored for a TL taper bushing.

# Metric Sprockets



## ISO 03B Hub Type B

Chain Size: **03B-1**  
**(5" x 2.5 mm)**  
 Pitch: 5 mm  
 Roller Width: 2.5 mm  
 Roller Dia.: 3.2 mm  
 Spkt. Width: 2.3 mm (bf<sub>1</sub>)  
 Material: Steel C 45



### Chain Size: 03B-1 (5 x 2.5mm)

Part No.	Teeth	d <sub>o</sub> mm	d <sub>k</sub> mm	d <sub>n</sub> mm	d <sub>1</sub> mm	L mm	Weight kg
03B-8B	8	15.2	13.06	7	4	10	0.005
03B-9B	9	16.8	14.62	8	5	10	0.006
03B-10B	10	18.3	16.18	9	5	10	0.008
03B-11B	11	19.9	17.75	11	6	10	0.011
03B-12B	12	21.5	19.32	12	6	10	0.015
03B-13B	13	23.0	20.89	14	6	10	0.021
03B-14B	14	24.6	22.47	15	6	10	0.023
03B-15B	15	26.2	24.04	16	6	10	0.025
03B-16B	16	27.8	25.63	18	8	13	0.032
03B-17B	17	29.4	27.20	18	8	13	0.035
03B-18B	18	30.9	28.79	18	8	13	0.037
03B-19B	19	32.5	30.38	18	8	13	0.039
03B-20B	20	34.1	31.96	18	8	13	0.040
03B-21B	21	35.7	33.54	20	8	13	0.056
03B-22B	22	37.3	35.13	20	8	13	0.059
03B-23B	23	38.9	36.72	20	8	13	0.063
03B-24B	24	40.5	38.30	20	8	13	0.065
03B-25B	25	42.0	39.89	20	8	13	0.068
03B-26B	26	43.6	41.48	25	8	15	0.095
03B-27B	27	45.2	43.07	25	8	15	0.105
03B-28B	28	46.8	44.65	25	8	15	0.106
03B-29B	29	48.4	46.25	25	8	15	0.107
03B-30B	30	50.0	47.83	25	8	15	0.109
03B-31B	31	51.6	49.42	30	8	15	0.110
03B-32B	32	53.2	51.01	30	8	15	0.112
03B-33B	33	54.8	52.60	30	8	15	0.115
03B-34B	34	56.3	54.19	30	8	15	0.120
03B-35B	35	57.9	55.78	30	8	15	0.125
03B-36B	36	59.5	57.37	30	8	15	0.130
03B-37B	37	61.1	58.96	30	8	15	0.136
03B-38B	38	62.7	60.54	30	8	15	0.140
03B-39B	39	64.3	62.13	30	8	15	0.144
03B-40B	40	65.9	63.73	30	8	15	0.145

Note: Plate Type available on request. Hub can be removed (machined off).



# Metric Sprockets

## ISO 03B Plate Type A

### DIN 8187/ISO R 606

**Chain Size: 03B-1 (5 x 2.5mm)**

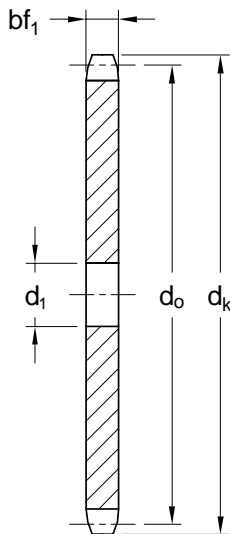
Pitch: 5 mm

Roller Width: 2.5 mm

Roller Dia.: 3.2 mm

Spkt. Width: 2.3 mm (bf<sub>1</sub>)

Material: Steel C45



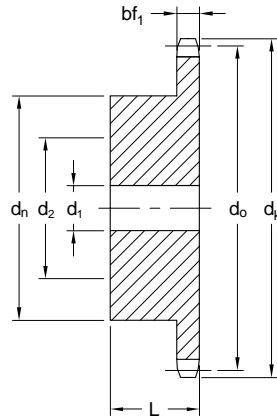
Part No.	Teeth	d <sub>o</sub> mm	d <sub>k</sub> mm	d <sub>1</sub> mm	Wt. kg
03B-41A	41	67.5	65.31	8	0.04
03B-42A	42	69.1	66.91	8	0.05
03B-43A	43	70.6	68.49	8	0.06
03B-44A	44	72.2	70.09	8	0.07
03B-45A	45	73.8	71.68	8	0.08
03B-46A	46	75.4	73.27	8	0.09
03B-47A	47	77.0	74.86	8	0.10
03B-48A	48	78.6	76.45	8	0.11
03B-49A	49	80.2	78.03	8	0.12
03B-50A	50	81.8	79.63	8	0.13
03B-51A	51	83.4	81.22	10	0.14
03B-52A	52	85.0	82.81	10	0.15
03B-53A	53	86.6	84.40	10	0.16
03B-54A	54	88.1	85.97	10	0.17
03B-55A	55	89.7	87.58	10	0.18
03B-56A	56	91.3	89.17	10	0.19
03B-57A	57	92.9	90.76	10	0.20
03B-58A	58	94.5	92.35	10	0.21
03B-59A	59	96.1	93.94	10	0.22
03B-60A	60	97.7	95.53	10	0.23
03B-62A	62	100.9	98.72	12	0.24
03B-64A	64	104.1	101.90	12	0.25
03B-65A	65	105.6	103.49	12	0.26
03B-66A	66	107.2	105.08	12	0.27
03B-68A	68	110.4	108.26	12	0.28
03B-70A	70	113.6	111.44	12	0.29
03B-72A	72	116.8	114.63	12	0.30
03B-75A	75	121.6	119.40	12	0.31
03B-76A	76	123.1	120.99	12	0.32
03B-78A	78	126.3	124.17	12	0.33
03B-80A	80	129.5	127.35	12	0.34
03B-85A	85	137.5	135.31	14	0.35
03B-90A	90	145.4	143.27	14	0.36
03B-95A	95	153.4	151.22	14	0.37
03B-100A	100	161.3	159.18	14	0.38
03B-110A	110	177.2	175.09	14	0.39
03B-114A	114	183.6	181.46	14	0.40
03B-120A	120	193.2	191.01	14	0.41
03B-125A	125	201.1	198.96	14	0.42

Note:  
Double and triple sprockets including stainless steel available on request.

# Metric Sprockets



## ISO 04B & 05B Hub Type B



Parameters	04B-1	05B-1
Chain Pitch	6 mm	8 mm
Roller Width	2.8 mm	3 mm
Roller Dia.	4 mm	5 mm
Sprocket Width $bf_1$	2.6 mm	2.8 mm
Material	Steel C45	Steel C45

### Chain Size: 04B-1 (6 x 2.8mm)

### Chain Size: 05B-1 (8 x 3.0mm)

Part No.	Teeth	$d_o$ mm	$d_k$ mm	$d_n$ mm	$d_1$ mm	L mm	Weight kg
04B-8B	8	15.67	18.0	9.8	5	10	0.01
04B-9B	9	17.54	19.9	11.5	5	10	0.01
04B-10B	10	19.42	21.7	13	6	10	0.01
04B-11B	11	21.30	23.6	14	6	10	0.01
04B-12B	12	23.18	25.4	16	6	10	0.02
04B-13B	13	25.05	27.3	18	8	10	0.02
04B-14B	14	26.96	29.2	20	8	10	0.03
04B-15B	15	28.86	31.1	20	8	10	0.03
04B-16B	16	30.76	33.3	20	8	13	0.04
04B-17B	17	32.65	35.0	20	8	13	0.04
04B-18B	18	34.55	36.9	20	8	13	0.05
04B-19B	19	36.44	38.8	20	8	13	0.05
04B-20B	20	38.34	40.7	20	8	13	0.06
04B-21B	21	40.25	42.6	25	8	13	0.06
04B-22B	22	42.16	44.5	25	8	13	0.06
04B-23B	23	44.06	46.4	25	8	13	0.06
04B-24B	24	45.96	48.3	25	8	13	0.06
04B-25B	25	47.87	50.2	25	8	13	0.07
04B-26B	26	49.77	52.1	30	8	15	0.15
04B-27B	27	51.67	54.0	30	8	15	0.15
04B-28B	28	53.58	55.9	30	8	15	0.15
04B-29B	29	55.50	57.8	30	8	15	0.15
04B-30B	30	57.42	59.8	30	8	15	0.15
04B-31B	31	59.31	61.7	30	8	15	0.15
04B-32B	32	61.21	63.6	30	8	15	0.16
04B-33B	33	63.11	65.5	30	8	15	0.16
04B-34B	34	65.02	67.4	30	8	15	0.16
04B-35B	35	66.93	69.3	30	8	15	0.16
04B-36B	36	68.84	71.2	30	8	15	0.16
04B-37B	37	70.75	73.1	30	8	15	0.16
04B-38B	38	72.66	75.0	30	8	15	0.16
04B-39B	39	74.56	76.9	30	8	15	0.16
04B-40B	40	76.47	78.9	30	8	15	0.16
04B-45B	45	86.01	88.5	40	10	18	0.50
04B-50B	50	95.55	98.0	50	12	20	0.50
04B-57B	57	108.93	111.4	50	12	20	0.60

Part No.	Teeth	$d_o$ mm	$d_k$ mm	$d_n$ mm	$d_1$ mm	L mm	Weight kg
05B-8B	8	20.90	24.0	13	6	12	0.02
05B-9B	9	23.39	26.6	15	6	12	0.02
05B-10B	10	25.89	29.2	17	8	12	0.02
05B-11B	11	28.39	31.7	18	8	13	0.03
05B-12B	12	30.91	34.2	20	8	13	0.03
05B-13B	13	33.42	36.7	23	8	13	0.05
05B-14B	14	35.95	39.2	25	8	13	0.05
05B-15B	15	38.48	41.7	28	8	13	0.07
05B-16B	16	41.01	44.3	30	8	14	0.08
05B-17B	17	43.53	46.8	30	8	14	0.08
05B-18B	18	46.07	49.3	30	8	14	0.09
05B-19B	19	48.61	51.9	30	8	14	0.09
05B-20B	20	51.14	54.4	30	8	14	0.10
05B-21B	21	53.67	57.0	35	8	14	0.12
05B-22B	22	56.21	59.5	35	8	14	0.13
05B-23B	23	58.75	62.0	35	8	14	0.14
05B-24B	24	61.29	64.6	35	8	14	0.14
05B-25B	25	63.83	67.5	35	8	14	0.14
05B-26B	26	66.37	69.5	40	10	16	0.14
05B-27B	27	68.91	72.2	40	10	16	0.20
05B-28B	28	71.45	74.8	40	10	16	0.21
05B-29B	29	73.99	77.3	40	10	16	0.21
05B-30B	30	76.53	79.8	40	10	16	0.22
05B-31B	31	79.08	82.4	40	10	16	0.22
05B-32B	32	81.61	84.9	40	10	16	0.24
05B-33B	33	84.16	87.5	40	10	16	0.24
05B-34B	34	86.70	90.0	40	10	16	0.24
05B-35B	35	89.24	92.5	40	10	16	0.24
05B-36B	36	91.79	95.0	40	10	16	0.24
05B-37B	37	94.33	97.6	40	10	16	0.24
05B-38B	38	96.88	100.2	40	10	16	0.28
05B-39B	39	99.42	102.7	40	10	16	0.28
05B-40B	40	101.97	105.3	40	10	16	0.28
05B-45B	45	114.69	118.0	60	12	20	0.88
05B-50B	50	127.41	130.7	60	12	20	0.88
05B-57B	57	145.22	148.6	80	14	20	1.20

Note: Double and triple sprockets including stainless steel available on request.

# Metric Sprockets



## ISO 04B Plate Type A

### DIN 8187/ISO R 606

Chain Size: **04B-1 (6 x 2.8mm)**

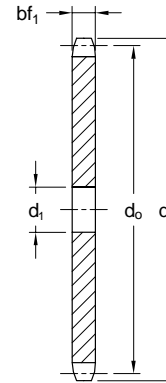
Pitch: 6 mm

Roller Width: 2.8 mm

Roller Dia.: 4 mm

Spkt. Width: 2.6 mm ( $bf_1$ )

Material: Steel C45



Part No.	Teeth	d <sub>o</sub> mm	d <sub>k</sub> mm	d <sub>1</sub> mm	Wt. kg
04B-8A	8	18.0	15.67	5	0.003
04B-9A	9	19.9	17.54	5	0.004
04B-10A	10	21.7	19.42	6	0.005
04B-11A	11	23.7	21.30	6	0.006
04B-12A	12	25.4	23.18	6	0.007
04B-13A	13	27.3	25.05	8	0.008
04B-14A	14	29.2	26.96	8	0.009
04B-15A	15	31.1	28.86	8	0.011
04B-16A	16	33.0	30.76	8	0.012
04B-17A	17	35.0	32.65	8	0.013
04B-18A	18	36.9	34.55	8	0.014
04B-19A	19	38.8	36.44	8	0.017
04B-20A	20	40.7	38.34	8	0.020
04B-21A	21	42.6	40.25	8	0.022
04B-22A	22	44.5	42.16	8	0.023
04B-23A	23	46.4	44.06	8	0.027
04B-24A	24	48.3	45.96	8	0.028
04B-25A	25	50.2	47.87	8	0.030
04B-26A	26	52.1	49.77	8	0.032
04B-27A	27	54.0	51.67	8	0.035
04B-28A	28	55.9	53.58	8	0.038
04B-29A	29	57.8	55.50	8	0.040
04B-30A	30	59.8	57.42	8	0.046
04B-31A	31	61.7	59.31	8	0.050
04B-32A	32	63.6	61.21	8	0.051
04B-33A	33	65.5	63.11	8	0.052
04B-34A	34	67.4	65.02	8	0.058
04B-35A	35	69.3	66.93	8	0.060
04B-36A	36	71.2	68.84	8	0.063
04B-37A	37	73.1	70.75	8	0.071
04B-38A	38	75.0	72.66	8	0.072
04B-39A	39	76.9	74.56	8	0.073
04B-40A	40	78.9	76.47	8	0.078
04B-41A	41	80.8	78.38	8	0.085
04B-42A	42	82.7	80.28	8	0.092
04B-43A	43	84.7	82.19	8	0.100

Part No.	Teeth	d <sub>o</sub> mm	d <sub>k</sub> mm	d <sub>1</sub> mm	Wt. kg
04B-44A	44	86.6	84.10	10	0.106
04B-45A	45	88.5	86.01	10	0.110
04B-46A	46	90.4	87.92	10	0.114
04B-47A	47	92.3	89.83	10	0.118
04B-48A	48	94.2	91.74	10	0.122
04B-49A	49	96.1	93.64	10	0.126
04B-50A	50	98.0	95.55	10	0.130
04B-51A	51	99.9	97.47	12	0.137
04B-52A	52	101.8	99.37	12	0.145
04B-53A	53	103.7	101.27	12	0.160
04B-54A	54	105.6	103.17	12	0.175
04B-55A	55	107.6	105.08	12	0.195
04B-56A	56	109.5	107.00	12	0.215
04B-57A	57	111.4	108.93	12	0.250
04B-58A	58	113.3	110.82	12	0.255
04B-59A	59	115.2	112.71	12	0.270
04B-60A	60	117.1	114.62	12	0.275
04B-62A	62	120.9	118.45	14	0.300
04B-64A	64	124.7	122.27	14	0.310
04B-65A	65	126.6	124.18	14	0.225
04B-66A	66	128.5	126.09	14	0.330
04B-68A	68	132.4	129.91	14	0.360
04B-70A	70	136.2	133.73	14	0.370
04B-72A	72	140.0	137.55	16	0.380
04B-75A	75	145.7	143.28	16	0.300
04B-76A	76	147.6	145.19	16	0.310
04B-78A	78	151.5	149.01	16	0.500
04B-80A	80	155.3	152.82	16	0.500
04B-85A	85	164.8	162.37	16	0.600
04B-90A	90	174.4	171.92	16	0.670
04B-95A	95	183.9	181.47	16	0.800
04B-100A	100	193.5	191.01	16	1.000
04B-110A	110	211.6	210.11	16	1.100
04B-114A	114	220.2	217.75	16	1.100
04B-120A	120	231.7	229.20	16	1.200
04B-125A	125	241.2	283.75	16	1.300

# Metric Sprockets

## ISO 05B Plate Type A

### DIN 8187/ISO R 606

Chain Size: **05B-1 (8 x 3mm)**

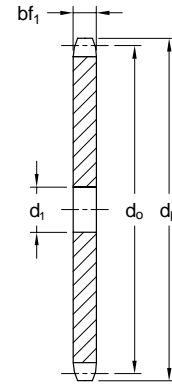
Pitch: 8 mm

Roller Width: 3 mm

Roller Dia.: 5 mm

Spkt. Width: 2.8 mm ( $bf_1$ )

Material: Steel C45



Part No.	Teeth	$d_0$ mm	$d_k$ mm	$d_1$ mm	Wt. kg
05B-8A	8	24.0	20.90	6	0.006
05B-9A	9	26.6	23.39	6	0.007
05B-10A	10	29.2	25.89	8	0.009
05B-11A	11	31.7	28.39	8	0.011
05B-12A	12	34.2	30.91	8	0.010
05B-13A	13	36.7	33.42	8	0.018
05B-14A	14	39.2	35.95	8	0.019
05B-15A	15	41.7	38.48	8	0.024
05B-16A	16	44.3	41.01	8	0.024
05B-17A	17	46.8	43.53	8	0.025
05B-18A	18	49.3	46.07	8	0.026
05B-19A	19	51.9	48.61	8	0.031
05B-20A	20	54.4	51.14	8	0.038
05B-21A	21	57.0	53.67	8	0.040
05B-22A	22	59.5	56.21	8	0.045
05B-23A	23	62.0	58.75	8	0.050
05B-24A	24	64.6	61.29	8	0.060
05B-25A	25	67.5	63.83	8	0.066
05B-26A	26	69.5	66.37	10	0.068
05B-27A	27	72.2	68.91	10	0.076
05B-28A	28	74.8	71.45	10	0.080
05B-29A	29	77.3	73.99	10	0.085
05B-30A	30	79.8	76.53	10	0.087
05B-31A	31	82.4	79.08	10	0.090
05B-32A	32	84.9	81.61	10	0.093
05B-33A	33	87.5	84.16	10	0.108
05B-34A	34	90.0	86.70	10	0.120
05B-35A	35	92.5	89.24	10	0.125
05B-36A	36	95.0	91.79	10	0.130
05B-37A	37	97.6	94.33	10	0.145
05B-38A	38	100.2	96.88	10	0.160
05B-39A	39	102.7	99.42	10	0.180
05B-40A	40	105.2	101.97	10	0.200
05B-41A	41	107.8	104.51	12	0.170
05B-42A	42	110.4	107.05	12	0.185
05B-43A	43	112.9	109.60	12	0.200

Part No.	Teeth	$d_0$ mm	$d_k$ mm	$d_1$ mm	Wt. kg
05B-44A	44	115.5	112.14	14	0.21
05B-45A	45	118.0	114.69	12	0.22
05B-46A	46	120.6	117.23	12	0.24
05B-47A	47	123.1	119.77	12	0.25
05B-48A	48	125.6	122.32	12	0.27
05B-49A	49	128.2	124.86	12	0.32
05B-50A	50	130.7	127.41	12	0.34
05B-51A	51	133.3	129.95	14	0.38
05B-52A	52	135.8	132.49	14	0.36
05B-53A	53	138.4	135.04	14	0.375
05B-54A	54	140.9	137.59	14	0.385
05B-55A	55	143.5	140.13	14	0.40
05B-56A	56	146.0	142.68	14	0.425
05B-57A	57	148.6	145.22	14	0.45
05B-58A	58	151.0	147.77	14	0.465
05B-59A	59	153.6	150.31	14	0.49
05B-60A	60	156.2	152.85	14	0.50
05B-62A	62	162.0	157.95	16	0.52
05B-64A	64	167.1	163.04	16	0.55
05B-65A	65	169.2	165.58	16	0.62
05B-66A	66	172.2	168.13	16	0.65
05B-68A	68	177.3	173.22	16	0.68
05B-70A	70	182.4	178.31	16	0.73
05B-72A	72	187.5	183.41	20	0.80
05B-75A	75	195.1	191.04	20	0.82
05B-76A	76	197.7	193.59	20	0.85
05B-78A	78	202.8	198.68	20	0.87
05B-80A	80	207.9	203.77	20	0.80
05B-85A	85	220.6	216.50	20	1.07
05B-90A	90	233.4	229.23	20	1.21
05B-95A	95	246.1	241.96	20	1.325
05B-100A	100	258.9	254.68	20	1.535
05B-110A	110	284.3	280.15	20	1.60
05B-114A	114	294.5	290.33	20	1.70
05B-120A	120	310.0	305.61	20	1.80
05B-125A	125	322.5	318.34	20	1.90

# Metric Sprockets

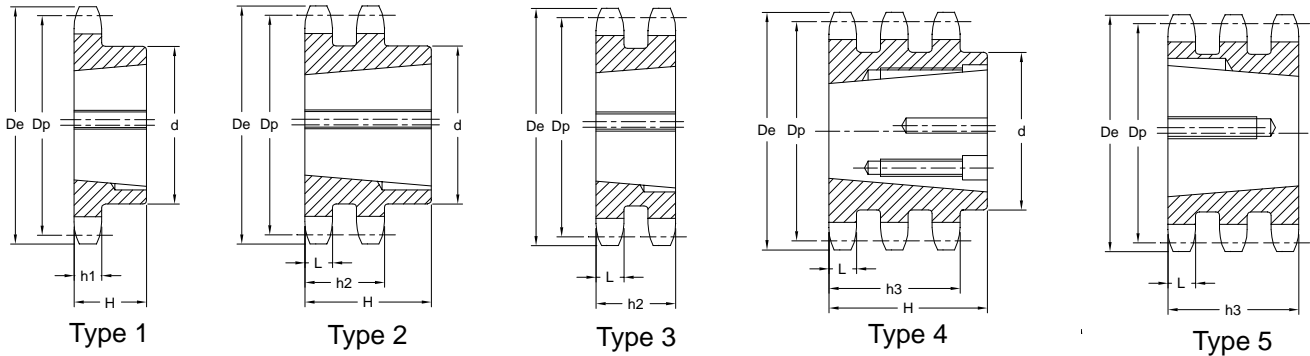


**Taper Bushed Type TL**  
**ISO 06B, DIN 8187 - ISO/R 606**  
**Single, Double, Triple**  
**Standard and Hardened Teeth**  
**Material: Steel C45 E**



Drawing Dimensions	Sprocket Size
	06B
h1	5.3
h2	15.4
h3	25.6
L	5.2

**Part No: 06B-18HTL-1008**  
 06B = Chain Size  
 18 = Number of Teeth  
 H = Hardened Teeth  
 TL-1008 = TL Bushing Size



Dimensions in mm

Chain Size 3/8" x 7/32"	Teeth	D <sub>e</sub>	D <sub>p</sub>	Single				Double				Triple			
				Part No.	Type	d	H	Part No.	Type	d	H	Part No.	Type	d	H
06B	17	55.3	51.83	06B-17HTL-1008	1	45	22	06B-2-17TL-1008	2	41	22	06B-3-17TL-1008	5	—	25.6
	18	58.3	54.85	06B-18TL-1008	1	45	22	06B-2-18TL-1008	2	43	22	—	—	—	—
	19	61.3	57.87	06B-19HTL-1008	1	45	22	06B-2-19TL-1008	2	46	22	06B-3-19TL-1008	5	—	25.6
	20	64.3	60.89	06B-20TL-1008	1	46	22	06B-2-20TL-1008	2	48	22	—	—	—	—
	21	68.0	63.91	06B-21HTL-1008	1	46	22	06B-2-21TL-1008	2	49	22	06B-3-21TL-1008	5	—	25.6
	22	71.0	66.93	06B-22TL-1108	1	50	22	06B-2-22TL-1108	2	52	22	—	—	—	—
	23	73.5	69.95	06B-23HTL-1210	1	63	25	06B-2-23TL-1210	2	59	25	06B-3-23TL-1210	5	—	25.6
	24	77.0	72.97	06B-24TL-1210	1	63	25	06B-2-24TL-1210	2	61	25	—	—	—	—
	25	80.0	76.02	06B-25HTL-1210	1	63	25	06B-2-25TL-1210	2	64	25	06B-3-25TL-1210	5	—	25.6
	26	83.0	79.02	06B-26TL-1210	1	63	25	06B-2-26TL-1210	2	65	25	—	—	—	—
	27	86.0	82.02	06B-27HTL-1210	1	63	25	06B-2-27TL-1210	2	70	25	06B-3-27TL-1210	5	—	25.6
	28	89.0	85.07	06B-28TL-1210	1	63	25	06B-2-28TL-1210	2	70	25	—	—	—	—
	30	94.7	91.12	06B-30HTL-1210	1	63	25	06B-2-30TL-1210	2	75	25	06B-3-30TL-1615	4	79	38
	38	119.5	115.35	06B-38TL-1210	1	70	25	06B-2-38TL-1610	2	80	25	06B-3-38TL-1615	4	90	38
	45	140.7	136.55	06B-45TL-1210	1	70	25	06B-2-45TL-1610	2	80	25	—	—	—	—
	57	176.9	172.91	06B-57TL-1210	1	70	25	06B-2-57TL-1610	2	80	25	—	—	—	—
	76	234.9	230.49	06B-76TL-1210	1	70	25	06B-2-76TL-1610	2	80	25	—	—	—	—
95	292.5	288.08	06B-95TL-1210	1	80	25	06B-2-95TL-1610	2	90	25	—	—	—	—	
114	349.5	345.68	06B-114TL-1215	1	80	38	06B-2-114TL-1615	2	95	38	—	—	—	—	

Note: Shaded items with "H" in Part No. indicates Hardened Teeth.



# Metric Sprockets

## Standard, Hardened Teeth and Stainless Steel

**ISO 06B Hub Type B**  
**DIN 8187/ISO R 606**

**Chain Size: 06B-1 (3/8" x 7/32")**  
 Pitch: 9.525 mm  
 Roller Width: 5.72 mm  
 Roller Dia.: 6.35 mm  
 Spkt. Width: 5.3 mm (bf<sub>1</sub>)  
 Material: Standard Steel C45  
 Material: Stainless Steel 304L



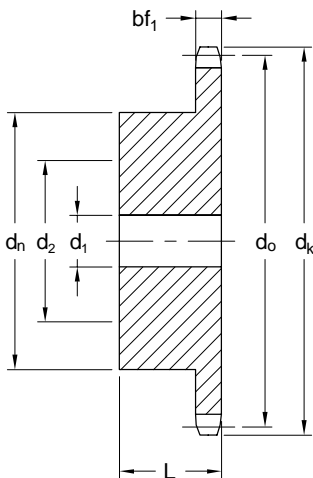
**Standard**



**Hardened Teeth**



**Stainless Steel**



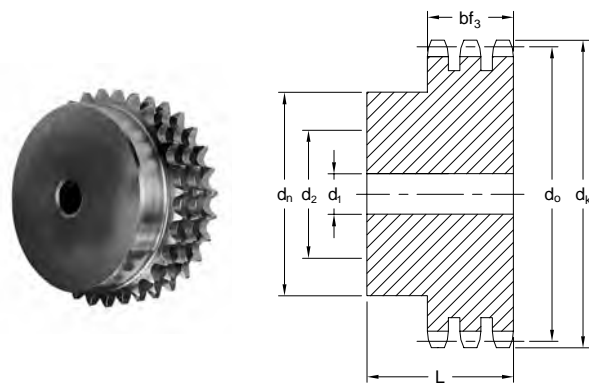
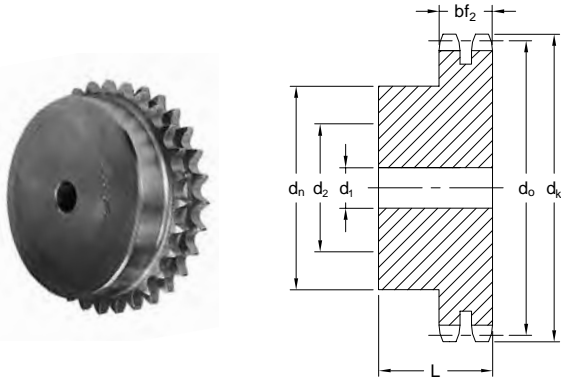
Part No. Standard	Part No. Hardened Teeth	Part No. Stainless Steel	Teeth	d <sub>o</sub> mm	d <sub>k</sub> mm	d <sub>n</sub> mm	d <sub>1</sub> mm	d <sub>2</sub> mm	L mm	Wt. kg
06B-8B	—	—	8	24.89	28.0	15	8	10	22	0.03
06B-9B	—	—	9	27.85	31.0	18	8	11	22	0.04
06B-10B	—	—	10	30.82	34.0	20	8	12	22	0.05
06B-11B	—	—	11	33.80	37.0	22	8	14	25	0.07
06B-12B	—	—	12	36.80	40.0	25	8	16	25	0.10
06B-13B	06B-13BH	06B-13BSS	13	39.80	43.0	28	10	18	25	0.13
06B-14B	06B-14BH	06B-14BSS	14	42.80	46.3	31	10	20	25	0.15
06B-15B	06B-15BH	06B-15BSS	15	45.81	49.3	34	10	22	25	0.18
06B-16B	06B-16BH	06B-16BSS	16	48.82	52.3	37	10	22	28	0.24
06B-17B	06B-17BH	06B-17BSS	17	51.83	55.3	40	10	25	28	0.28
06B-18B	06B-18BH	06B-18BSS	18	54.85	58.3	43	10	27	28	0.30
06B-19B	06B-19BH	06B-19BSS	19	57.87	61.3	45	10	28	28	0.35
06B-20B	06B-20BH	06B-20BSS	20	60.89	64.3	46	10	29	28	0.40
06B-21B	06B-21BH	06B-21BSS	21	63.91	68.0	48	12	30	28	0.44
06B-22B	06B-22BH	06B-22BSS	22	66.93	71.0	50	12	30	28	0.47
06B-23B	06B-23BH	06B-23BSS	23	69.95	73.5	52	12	32	28	0.50
06B-24B	06B-24BH	06B-24BSS	24	72.97	77.0	54	12	34	28	0.60
06B-25B	06B-25BH	06B-25BSS	25	76.00	80.0	57	12	36	28	0.60
06B-26B	—	—	26	79.02	83.0	60	12	38	28	0.65
06B-27B	—	—	27	82.04	86.0	60	12	38	28	0.69
06B-28B	—	—	28	85.07	89.0	60	12	38	28	0.70
06B-29B	—	—	29	88.09	92.0	60	12	38	28	0.80
06B-30B	06B-30BH	06B-30BSS	30	91.12	94.7	60	12	38	30	0.90
06B-31B	—	—	31	94.15	98.3	65	14	42	30	0.98
06B-32B	—	—	32	97.17	101.3	65	14	42	30	1.05
06B-33B	—	—	33	100.20	104.3	65	14	42	30	1.10
06B-34B	—	—	34	103.23	107.3	65	14	42	30	1.12
06B-35B	—	—	35	106.26	110.4	65	14	42	30	1.12
06B-36B	—	—	36	109.29	113.4	70	16	45	30	1.13
06B-37B	—	—	37	112.32	116.4	70	16	45	30	1.14
06B-38B	—	—	38	115.34	119.5	70	16	45	30	1.15
06B-39B	—	—	39	118.37	122.5	70	16	45	30	1.16
06B-40B	—	—	40	121.40	125.5	70	16	45	30	1.18

**Note:** All sizes can be Induction Hardened. Finish Bore and Key-way available on request. Other Stainless sizes available on request



# Metric Sprockets

## ISO 06B-2 and 06B-3 Hub Type B



**Chain Size: 06B-2 (3/8" x 7/32")**  
**Spkt Width: 15.4mm (b<sub>f2</sub>)**

Part No.	Teeth	d <sub>o</sub> mm	d <sub>k</sub> mm	d <sub>n</sub> mm	d <sub>1</sub> mm	d <sub>2</sub> * mm	L mm	Weight kg
06B-2-8B	8	24.89	28.0	15	6	10	22	0.04
06B-2-9B	9	27.85	31.0	18	8	11	22	0.05
06B-2-10B	10	30.82	34.0	20	8	12	22	0.07
06B-2-11B	11	33.80	37.0	22	10	14	25	0.08
06B-2-12B	12	36.80	40.0	25	10	16	25	0.09
06B-2-13B	13	39.80	43.0	28	10	18	25	0.15
06B-2-14B	14	42.80	46.3	31	10	20	25	0.16
06B-2-15B	15	45.81	49.3	34	10	22	25	0.23
06B-2-16B	16	48.82	52.3	37	12	22	30	0.25
06B-2-17B	17	51.83	55.3	40	12	25	30	0.30
06B-2-18B	18	54.85	58.3	43	12	27	30	0.35
06B-2-19B	19	57.87	61.3	46	12	29	30	0.40
06B-2-20B	20	60.89	64.3	49	12	31	30	0.46
06B-2-21B	21	63.91	68.0	52	12	32	30	0.53
06B-2-22B	22	66.93	71.0	55	12	35	30	0.59
06B-2-23B	23	69.95	73.5	58	12	37	30	0.64
06B-2-24B	24	72.97	77.0	61	12	40	30	0.74
06B-2-25B	25	76.00	80.0	64	12	41	30	0.78
06B-2-26B	26	79.02	83.0	67	12	43	30	0.87
06B-2-27B	27	82.04	86.0	70	12	45	30	0.95
06B-2-28B	28	85.07	89.0	73	12	47	30	1.02
06B-2-29B	29	88.09	92.0	76	12	48	30	1.10
06B-2-30B	30	91.12	94.7	79	12	49	30	1.18
06B-2-31B	31	94.15	98.3	80	16	50	30	1.26
06B-2-32B	32	97.17	101.3	80	16	50	30	1.35
06B-2-33B	33	100.20	104.3	80	16	50	30	1.42
06B-2-34B	34	103.23	107.3	80	16	50	30	1.50
06B-2-35B	35	106.26	110.4	80	16	50	30	1.57
06B-2-36B	36	109.29	113.4	90	16	56	30	1.64
06B-2-37B	37	112.32	116.4	90	16	56	30	1.75
06B-2-38B	38	115.34	119.5	90	16	56	30	1.85
06B-2-39B	39	118.37	122.5	90	16	56	30	1.90
06B-2-40B	40	121.40	125.5	90	16	56	30	1.95

**Chain Size: 06B-3 (3/8" x 7/32")**  
**Spkt Width: 25.6mm (b<sub>f3</sub>)**

Part No.	Teeth	d <sub>o</sub> mm	d <sub>k</sub> mm	d <sub>n</sub> mm	d <sub>1</sub> mm	d <sub>2</sub> * mm	L mm	Weight kg
06B-3-8B	8	24.89	28.0	15	6	10	32	0.02
06B-3-9B	9	27.85	31.0	18	8	11	32	0.03
06B-3-10B	10	30.82	34.0	20	10	12	32	0.09
06B-3-11B	11	33.80	37.0	22	10	14	35	0.11
06B-3-12B	12	36.80	40.0	25	10	16	35	0.15
06B-3-13B	13	39.80	43.0	28	10	18	35	0.19
06B-3-14B	14	42.80	46.3	31	12	20	35	0.22
06B-3-15B	15	45.81	49.3	34	12	22	35	0.26
06B-3-16B	16	48.82	52.3	37	12	22	35	0.30
06B-3-17B	17	51.83	55.3	40	12	25	35	0.36
06B-3-18B	18	54.85	58.3	43	12	27	35	0.44
06B-3-19B	19	57.87	61.3	46	12	29	35	0.50
06B-3-20B	20	60.89	64.3	49	12	31	35	0.56
06B-3-21B	21	63.91	68.0	52	14	32	40	0.70
06B-3-22B	22	66.93	71.0	55	14	35	40	0.78
06B-3-23B	23	69.95	73.5	58	14	37	40	0.85
06B-3-24B	24	72.97	77.0	61	14	40	40	0.95
06B-3-25B	25	76.00	80.0	64	14	41	40	0.94
06B-3-26B	26	79.02	83.0	67	14	43	40	0.96
06B-3-27B	27	82.04	86.0	70	14	45	40	1.00
06B-3-28B	28	85.07	89.0	73	14	47	40	1.35
06B-3-29B	29	88.09	92.0	76	14	48	40	1.50
06B-3-30B	30	91.12	94.7	79	14	49	40	1.60
06B-3-31B	31	94.15	98.3	80	16	50	40	1.70
06B-3-32B	32	97.17	101.3	80	16	50	40	1.75
06B-3-33B	33	100.20	104.3	80	16	50	40	1.88
06B-3-34B	34	103.23	107.3	85	16	53	40	2.03
06B-3-35B	35	106.26	110.4	85	16	53	40	2.15
06B-3-36B	36	109.29	113.4	90	16	56	40	2.28
06B-3-37B	37	112.32	116.4	90	16	56	40	2.40
06B-3-38B	38	115.34	119.5	90	16	56	40	2.50
06B-3-39B	39	118.37	122.5	90	16	56	40	2.60
06B-3-40B	40	121.40	125.5	90	16	56	40	2.75

\*Note: Approximate max bore, consult PTI for larger sizes.



# Metric Sprockets

## ISO 06B Plate Type A

DIN 8187/ISO R 606

**Chain Size: 06B-1 (3/8" x 7/32")**

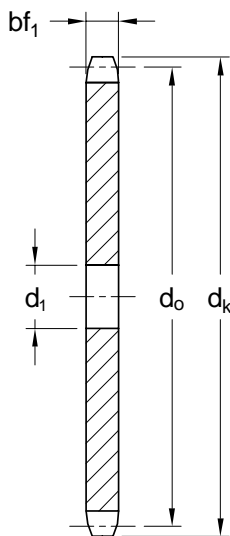
Pitch: 9.525 mm

Roller Width: 5.72 mm

Roller Dia.: 6.35 mm

Spkt. Width: 5.3 mm (bf<sub>1</sub>)

Material: Steel C45



Part No.	Teeth	d <sub>o</sub> mm	d <sub>k</sub> mm	d <sub>1</sub> mm	Wt. kg
06B-8A	8	24.89	28.0	6	0.02
06B-9A	9	37.85	31.0	8	0.02
06B-10A	10	30.82	34.0	8	0.02
06B-11A	11	33.81	37.0	8	0.03
06B-12A	12	36.80	40.0	8	0.04
06B-13A	13	39.79	43.0	8	0.04
06B-14A	14	42.81	46.0	8	0.05
06B-15A	15	45.81	50.0	8	0.06
06B-16A	16	48.82	53.0	10	0.06
06B-17A	17	51.84	56.0	10	0.07
06B-18A	18	54.85	58.0	10	0.08
06B-19A	19	57.87	62.0	10	0.09
06B-20A	20	60.89	65.0	10	0.10
06B-21A	21	63.91	68.0	10	0.11
06B-22A	22	66.93	71.0	10	0.12
06B-23A	23	69.95	73.5	10	0.14
06B-24A	24	72.97	77.0	10	0.15
06B-25A	25	76.00	80.0	10	0.16
06B-26A	26	79.02	83.0	10	0.18
06B-27A	27	82.05	86.0	10	0.19
06B-28A	28	85.07	89.0	10	0.20
06B-29A	29	88.09	92.0	10	0.22
06B-30A	30	91.12	94.7	10	0.24
06B-31A	31	94.15	98.3	12	0.26
06B-32A	32	97.18	102.0	12	0.27
06B-33A	33	100.20	104.3	12	0.29
06B-34A	34	103.23	107.3	12	0.31
06B-35A	35	106.26	111.0	12	0.32
06B-36A	36	109.29	114.0	12	0.35
06B-37A	37	112.32	116.4	12	0.37
06B-38A	38	115.34	120.0	12	0.39
06B-39A	39	118.37	122.5	12	0.40
06B-40A	40	121.40	125.5	12	0.41
06B-41A	41	124.43	128.5	16	0.45
06B-42A	42	127.46	131.6	16	0.49
06B-43A	43	130.49	134.6	16	0.51
06B-44A	44	133.52	138.0	16	0.53
06B-45A	45	136.55	141.0	16	0.55
06B-46A	46	139.58	143.7	16	0.57
06B-47A	47	142.61	146.7	16	0.60
06B-48A	48	145.64	150.0	16	0.62
06B-49A	49	148.66	152.7	16	0.65
06B-50A	50	151.70	156.0	16	0.67
06B-54A	54	163.82	168.0	16	0.80
06B-57A	57	172.91	177.0	16	0.90
06B-60A	60	182.00	186.0	16	0.98
06B-65A	65	197.15	202.0	20	1.15
06B-70A	70	212.30	217.0	20	1.34
06B-72A	72	218.37	222.5	20	1.43
06B-76A	76	230.49	235.0	20	1.60
06B-80A	80	242.61	247.5	20	1.75
06B-95A	95	288.08	293.0	20	2.50
06B-100A	100	303.25	307.7	20	2.80
06B-114A	114	345.68	349.5	20	2.98
06B-125A	125	397.02	383.5	20	3.15

Note:  
Double and triple sprockets including stainless steel available on request.

# Metric Sprockets



## ISO 081B Hub Type B DIN 8187/ISO R 606

Chain Size: **081B-1 (1/2" x 1/8")**

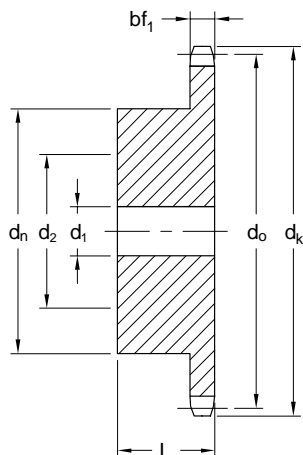
Pitch: 12.7 mm

Roller Width: 3.3 mm

Roller Dia.: 7.75 mm

Spkt. Width: 3 mm (bf<sub>1</sub>)

Material: Steel C45



Part No.	Teeth	d <sub>o</sub> mm	d <sub>k</sub> mm	d <sub>n</sub> mm	d <sub>1</sub> mm	d <sub>2</sub> mm	L mm	Wt kg
081B-8B	8	33.18	39.5	21	8	16	14	0.04
081B-9B	9	37.13	43.4	25	8	18	14	0.06
081B-10B	10	41.10	47.4	28	8	21	14	0.06
081B-11B	11	45.07	51.4	31	8	23	16	0.09
081B-12B	12	49.07	55.4	25	8	26	16	0.13
081B-13B	13	53.06	59.4	39	8	28	16	0.15
081B-14B	14	57.07	63.4	43	8	31	16	0.19
081B-15B	15	61.09	67.4	47	8	31	16	0.22
081B-16B	16	65.01	71.4	50	10	35	18	0.25
081B-17B	17	69.11	75.4	50	10	38	18	0.27
081B-18B	18	73.14	79.4	50	10	40	18	0.30
081B-19B	19	77.16	83.5	50	10	42	18	0.32
081B-20B	20	81.19	87.5	50	10	44	18	0.32
081B-21B	21	85.22	91.5	60	10	44	20	0.50
081B-22B	22	89.24	95.5	60	10	44	20	0.50
081B-23B	23	93.27	99.6	60	10	44	20	0.50
081B-24B	24	97.29	103.6	60	10	44	20	0.51
081B-25B	25	101.33	107.6	60	10	44	20	0.56
081B-26B	26	105.36	111.7	70	12	44	20	0.61
081B-27B	27	109.40	115.7	70	12	44	20	0.67
081B-28B	28	113.42	119.7	70	12	44	20	0.70
081B-29B	29	117.46	123.8	70	12	50	20	0.71
081B-30B	30	121.50	127.8	70	12	50	20	0.75
081B-31B	31	125.54	131.8	70	12	56	20	0.76
081B-32B	32	129.56	135.9	70	12	56	20	0.77
081B-33B	33	133.60	139.9	70	12	56	20	0.77
081B-34B	34	137.64	143.9	70	12	56	20	0.81
081B-35B	35	141.68	148.0	70	12	56	20	0.90
081B-36B	36	145.72	152.0	70	15	56	20	0.98
081B-37B	37	149.76	156.1	70	15	56	25	0.98
081B-38B	38	153.80	160.1	70	15	56	25	0.99
081B-39B	39	157.83	164.1	70	15	56	25	1.05
081B-40B	40	161.87	168.2	70	15	56	25	1.10

Part No.	Teeth	d <sub>o</sub> mm	d <sub>k</sub> mm	d <sub>n</sub> mm	d <sub>1</sub> mm	d <sub>2</sub> mm	L mm	Wt kg
083B-8B	8	33.18	39.5	21	8	16	14	0.04
083B-9B	9	37.13	43.4	25	8	18	14	0.05
083B-10B	10	41.10	47.4	28	8	21	14	0.07
083B-11B	11	45.07	51.4	31	8	23	16	0.10
083B-12B	12	49.07	55.4	25	8	26	16	0.18
083B-13B	13	53.06	59.4	39	8	28	16	0.20
083B-14B	14	57.07	63.4	43	8	31	16	0.24
083B-15B	15	61.09	67.4	47	8	31	16	0.24
083B-16B	16	65.01	71.4	50	10	35	18	0.30
083B-17B	17	69.11	75.4	50	10	38	18	0.32
083B-18B	18	73.14	79.4	50	10	40	18	0.33
083B-19B	19	77.16	83.5	50	10	42	18	0.34
083B-20B	20	81.19	87.5	50	10	44	18	0.42
083B-21B	21	85.22	91.5	60	10	44	20	0.51
083B-22B	22	89.24	95.5	60	10	44	20	0.53
083B-23B	23	93.27	99.6	60	10	44	20	0.56
083B-24B	24	97.29	103.6	60	10	44	20	0.56
083B-25B	25	101.33	107.6	60	10	44	20	0.64
083B-26B	26	105.36	111.7	70	12	44	20	0.72
083B-27B	27	109.40	115.7	70	12	44	20	0.78
083B-28B	28	113.42	119.7	70	12	44	20	0.77
083B-29B	29	117.46	123.8	70	12	50	20	0.81
083B-30B	30	121.50	127.8	70	12	50	20	0.83
083B-31B	31	125.54	131.8	70	12	56	20	0.85
083B-32B	32	129.56	135.9	70	12	56	20	0.87
083B-33B	33	133.60	139.9	70	12	56	20	0.90
083B-34B	34	137.64	143.9	70	12	56	20	0.92
083B-35B	35	141.68	148.0	70	12	56	20	0.95
083B-36B	36	145.72	152.0	70	15	56	20	1.16
083B-37B	37	149.76	156.1	70	15	56	25	1.16
083B-38B	38	153.80	160.1	70	15	56	25	1.19
083B-39B	39	157.83	164.1	70	15	56	25	1.22
083B-40B	40	161.87	168.2	70	15	56	25	1.30

Note: Hardened Teeth and Finished Bore available on request.

# Metric Sprockets

## ISO 081B Plate Type A

DIN 8187/ISO R 606

Chain Size: 081B-1 (1/2" x 1/8")

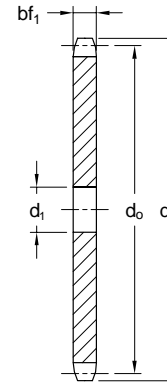
Pitch: 12.7 mm

Roller Width: 3.3 mm

Roller Dia.: 7.75 mm

Spkt. Width: 3 mm (bf<sub>1</sub>)

Material: Steel C45



Part No.	Teeth	d <sub>o</sub> mm	d <sub>k</sub> mm	d <sub>1</sub> mm	Wt. kg
081B-8A	8	33.18	39.5	8	0.020
081B-9A	9	37.13	43.4	8	0.025
081B-10A	10	41.10	47.4	8	0.028
081B-11A	11	45.07	51.4	8	0.030
081B-12A	12	49.07	55.4	8	0.035
081B-13A	13	53.06	59.4	8	0.040
081B-14A	14	57.07	63.4	8	0.050
081B-15A	15	61.09	67.4	8	0.055
081B-16A	16	65.10	71.4	10	0.065
081B-17A	17	69.11	75.4	10	0.070
081B-18A	18	73.14	79.4	10	0.080
081B-19A	19	77.16	83.5	10	0.090
081B-20A	20	81.19	87.5	10	0.110
081B-21A	21	85.22	91.5	10	0.115
081B-22A	22	89.24	95.5	10	0.130
081B-23A	23	93.27	99.6	10	0.145
081B-24A	24	97.29	103.6	10	0.155
081B-25A	25	101.33	107.6	10	0.170
081B-26A	26	105.36	111.7	12	0.180
081B-27A	27	109.40	115.7	12	0.195
081B-28A	28	113.42	119.7	12	0.215
081B-29A	29	117.46	123.8	12	0.280
081B-30A	30	121.50	127.8	12	0.350
081B-31A	31	125.54	131.8	12	0.270
081B-32A	32	129.56	135.9	12	0.280
081B-33A	33	133.60	139.9	12	0.285
081B-34A	34	137.64	143.9	12	0.410
081B-35A	35	141.68	148.0	12	0.460
081B-36A	36	145.72	152.0	15	0.480
081B-37A	37	149.76	156.1	15	0.510
081B-38A	38	153.80	160.1	15	0.525
081B-39A	39	157.83	164.1	15	0.500
081B-40A	40	161.87	168.2	15	0.600
081B-41A	41	165.91	172.7	15	0.610
081B-42A	42	169.95	176.7	15	0.665
081B-43A	43	173.99	180.8	15	0.700

Part No.	Teeth	d <sub>o</sub> mm	d <sub>k</sub> mm	d <sub>1</sub> mm	Wt. kg
081B-44A	44	178.03	184.8	15	0.73
081B-45A	45	182.07	188.9	15	0.76
081B-46A	46	186.10	192.9	20	0.81
081B-47A	47	190.14	196.9	20	0.85
081B-48A	48	194.18	201.0	20	0.88
081B-49A	49	198.22	205.0	20	0.905
081B-50A	50	202.26	209.1	20	0.91
081B-51A	51	206.30	213.1	20	0.95
081B-52A	52	210.34	217.1	20	1.00
081B-53A	53	214.37	221.2	20	1.05
081B-54A	54	218.43	225.2	20	1.08
081B-55A	55	222.46	229.3	20	1.12
081B-56A	56	226.50	233.3	20	1.15
081B-57A	57	230.54	237.3	20	1.00
081B-58A	58	234.58	241.4	20	1.10
081B-59A	59	238.62	245.4	20	1.20
081B-60A	60	242.66	249.5	20	1.30
081B-62A	62	250.75	257.5	20	1.51
081B-64A	64	258.82	265.6	20	1.45
081B-65A	65	262.86	269.7	20	1.47
081B-66A	66	266.90	273.7	25	1.48
081B-68A	68	274.99	281.8	25	1.50
081B-70A	70	283.07	289.9	25	1.89
081B-72A	72	291.16	298.0	25	1.92
081B-75A	75	303.27	310.1	25	1.95
081B-76A	76	307.33	314.1	25	1.98
081B-78A	78	315.40	322.2	25	2.00
081B-80A	80	323.48	330.3	25	2.10
081B-85A	85	343.69	350.5	25	2.20
081B-90A	90	363.90	370.7	25	2.30
081B-95A	95	384.11	390.9	25	2.51
081B-100A	100	404.31	411.1	25	2.60
081B-110A	110	444.74	451.5	25	2.62
081B-114A	114	460.90	467.7	25	2.65
081B-120A	120	485.16	492.0	25	3.00
081B-125A	125	505.37	512.2	25	3.10

# Metric Sprockets



## ISO 083B Plate Type A

### DIN 8187/ISO R 606

Chain Size: 083B-1 (1/2" x 3/16")

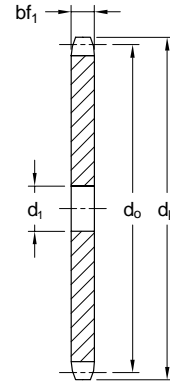
Pitch: 12.7 mm

Roller Width: 4.88 mm

Roller Dia.: 7.75 mm

Spkt. Width: 4.5 mm (bf<sub>1</sub>)

Material: Steel C45



Part No.	Teeth	d <sub>o</sub> mm	d <sub>k</sub> mm	d <sub>1</sub> mm	Wt. kg
083B-8A	8	33.18	39.5	8	0.018
083B-9A	9	37.13	43.4	8	0.020
083B-10A	10	41.10	47.4	8	0.030
083B-11A	11	45.07	51.4	8	0.040
083B-12A	12	49.07	55.4	8	0.050
083B-13A	13	53.06	59.4	8	0.060
083B-14A	14	57.07	63.4	8	0.070
083B-15A	15	61.09	67.4	8	0.080
083B-16A	16	65.01	71.4	10	0.090
083B-17A	17	69.11	75.4	10	0.100
083B-18A	18	73.14	79.4	10	0.120
083B-19A	19	77.16	83.5	10	0.130
083B-20A	20	81.19	87.5	10	0.170
083B-21A	21	85.22	91.5	10	0.185
083B-22A	22	89.24	95.5	10	0.200
083B-23A	23	93.27	99.6	10	0.225
083B-24A	24	97.29	103.6	10	0.250
083B-25A	25	101.33	107.6	10	0.260
083B-26A	26	105.36	111.7	12	0.285
083B-27A	27	109.40	115.7	12	0.310
083B-28A	28	113.42	119.7	12	0.335
083B-29A	29	117.46	123.8	12	0.350
083B-30A	30	121.50	127.8	12	0.370
083B-31A	31	125.54	131.8	12	0.395
083B-32A	32	129.56	135.9	12	0.420
083B-33A	33	133.60	139.9	12	0.450
083B-34A	34	137.64	143.9	12	0.470
083B-35A	35	141.68	148.0	12	0.540
083B-36A	36	145.72	152.0	15	0.550
083B-37A	37	149.76	156.1	15	0.580
083B-38A	38	153.80	160.1	15	0.610
083B-39A	39	157.83	164.1	15	0.645
083B-40A	40	161.87	168.2	15	0.690
083B-41A	41	165.91	172.7	15	0.725
083B-42A	42	169.95	176.7	15	0.760
083B-43A	43	173.99	180.8	15	0.800

Part No.	Teeth	d <sub>o</sub> mm	d <sub>k</sub> mm	d <sub>1</sub> mm	Wt. kg
083B-44A	44	178.03	184.8	15	0.835
083B-45A	45	182.07	188.9	15	0.870
083B-46A	46	186.10	192.9	20	0.900
083B-47A	47	190.14	196.9	20	0.930
083B-48A	48	194.18	201.0	20	1.000
083B-49A	49	198.22	205.0	20	1.010
083B-50A	50	202.26	209.1	20	1.045
083B-51A	51	206.30	213.1	20	1.050
083B-52A	52	210.34	217.1	20	1.055
083B-53A	53	214.37	221.2	20	1.150
083B-54A	54	218.43	225.2	20	1.280
083B-55A	55	222.46	229.3	20	1.100
083B-56A	56	226.50	233.3	20	1.300
083B-57A	57	230.54	237.3	20	1.310
083B-58A	58	234.58	241.4	20	1.445
083B-59A	59	238.62	245.4	20	1.480
083B-60A	60	242.66	249.5	20	1.560
083B-62A	62	250.75	257.5	20	1.650
083B-64A	64	258.82	265.6	20	1.800
083B-65A	65	262.86	269.7	20	1.850
083B-66A	66	266.90	273.7	25	1.900
083B-68A	68	274.99	281.8	25	2.050
083B-70A	70	283.07	289.9	25	2.080
083B-72A	72	291.16	298.0	25	2.350
083B-75A	75	303.27	310.1	25	2.450
083B-76A	76	307.33	314.1	25	2.500
083B-78A	78	315.40	322.2	25	3.100
083B-80A	80	323.48	330.3	25	3.700
083B-85A	85	343.69	350.5	25	3.730
083B-90A	90	363.90	370.7	25	3.775
083B-95A	95	384.11	390.9	25	5.650
083B-100A	100	404.31	411.1	25	5.700
083B-110A	110	444.74	451.5	25	6.000
083B-114A	114	460.90	467.7	25	6.700
083B-120A	120	485.16	492.0	25	6.800
083B-125A	125	505.37	512.2	25	6.750

# Metric Sprockets



## ISO 085B Hub Type B

DIN 8187/ISO R 606

### Chain Size: 085B-1 (1/2" x 1/4")

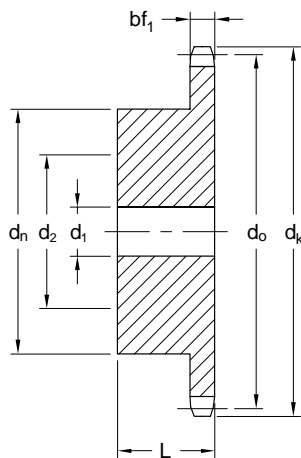
Pitch: 12.7 mm

Roller Width: 6.4 mm

Roller Dia.: 7.75 mm

Spkt. Width: 5.9 mm (bf<sub>1</sub>)

Material: Steel C45



Part No.	Teeth	d <sub>o</sub> mm	d <sub>k</sub> mm	d <sub>n</sub> mm	d <sub>1</sub> mm	d <sub>2</sub> mm	L mm	Wt. kg
085B-8B	8	33.18	39.5	20	10	16	25	0.06
085B-9B	9	37.13	43.4	24	10	18	25	0.08
085B-10B	10	41.10	47.4	26	10	21	25	0.10
085B-11B	11	45.07	51.4	29	10	23	25	0.15
085B-12B	12	49.07	55.4	33	10	26	25	0.20
085B-13B	13	53.06	59.4	37	10	28	28	0.25
085B-14B	14	57.07	63.4	41	10	31	28	0.30
085B-15B	15	61.09	67.4	45	10	31	28	0.40
085B-16B	16	65.01	71.4	50	12	35	28	0.50
085B-17B	17	69.11	75.4	52	12	38	28	0.50
085B-18B	18	73.14	79.4	56	12	40	28	0.60
085B-19B	19	77.16	83.5	60	12	42	28	0.70
085B-20B	20	81.19	87.5	64	12	44	28	0.80
085B-21B	21	85.22	91.5	68	12	44	28	0.80
085B-22B	22	89.24	95.5	70	14	44	28	0.90
085B-23B	23	93.27	99.6	70	14	44	28	1.00
085B-24B	24	97.29	103.6	70	14	44	28	1.10
085B-25B	25	101.33	107.6	70	14	44	28	1.15
085B-26B	26	105.36	111.7	70	15	44	30	1.20
085B-27B	27	109.40	115.7	70	15	44	30	1.30
085B-28B	28	113.42	119.7	70	15	44	30	1.35
085B-29B	29	117.46	123.8	80	15	50	30	1.40
085B-30B	30	121.50	127.8	80	15	50	30	1.50
085B-31B	31	125.54	131.8	90	15	56	30	1.60
085B-32B	32	129.56	135.9	90	15	56	30	1.73
085B-33B	33	133.60	139.9	90	15	56	30	1.77
085B-34B	34	137.64	143.9	90	15	56	30	1.85
085B-35B	35	141.68	148.0	90	15	56	30	1.82
085B-36B	36	145.72	152.0	90	15	56	35	2.00
085B-37B	37	149.76	156.1	90	15	56	35	2.16
085B-38B	38	153.80	160.1	90	15	56	35	2.20
085B-39B	39	157.83	164.1	90	15	56	35	2.23
085B-40B	40	161.87	168.2	90	15	56	35	2.27

Note: Hardened Teeth and Finished Bore available on request.

# Metric Sprockets

## ISO 085B Plate Type A

### DIN 8187/ISO R 606

Chain Size: 085B-1 (1/2" x 1/4")

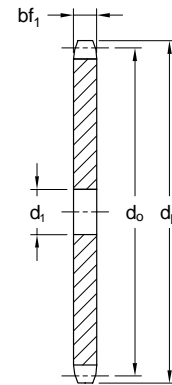
Pitch: 12.7 mm

Roller Width: 6.4 mm

Roller Dia.: 7.75 mm

Spkt. Width: 5.9 mm (bf<sub>1</sub>)

Material: Steel C45



Part No.	Teeth	d <sub>o</sub> mm	d <sub>k</sub> mm	d <sub>1</sub> mm	Wt. kg
085B-8A	8	33.18	39.5	8	0.1
085B-9A	9	37.13	43.4	8	0.1
085B-10A	10	41.10	47.4	8	0.1
085B-11A	11	45.07	51.4	8	0.1
085B-12A	12	49.07	55.4	8	0.1
085B-13A	13	53.06	59.4	8	0.1
085B-14A	14	57.07	63.4	8	0.1
085B-15A	15	61.09	67.4	8	0.1
085B-16A	16	65.10	71.4	10	0.1
085B-17A	17	69.11	75.4	10	0.1
085B-18A	18	73.14	79.4	10	0.2
085B-19A	19	77.16	83.5	10	0.2
085B-20A	20	81.19	87.5	10	0.2
085B-21A	21	85.22	91.5	10	0.2
085B-22A	22	89.24	95.5	10	0.2
085B-23A	23	93.27	99.6	10	0.3
085B-24A	24	97.29	103.6	10	0.4
085B-25A	25	101.33	107.6	10	0.4
085B-26A	26	105.36	111.7	12	0.4
085B-27A	27	109.40	115.7	12	0.5
085B-28A	28	113.42	119.7	12	0.5
085B-29A	29	117.46	123.8	12	0.5
085B-30A	30	121.50	127.8	12	0.52
085B-31A	31	125.54	131.8	12	0.54
085B-32A	32	129.56	135.9	12	0.6
085B-33A	33	133.60	139.9	12	0.6
085B-34A	34	137.64	143.9	12	0.6
085B-35A	35	141.68	148.0	12	0.6
085B-36A	36	145.72	152.0	15	0.65
085B-37A	37	149.76	156.1	15	0.8
085B-38A	38	153.80	160.1	15	0.8
085B-39A	39	157.83	164.1	15	0.8
085B-40A	40	161.87	168.2	15	0.8
085B-41A	41	165.91	172.7	15	0.9
085B-42A	42	169.95	176.7	15	0.9
085B-43A	43	173.99	180.8	15	0.9

Part No.	Teeth	d <sub>o</sub> mm	d <sub>k</sub> mm	d <sub>1</sub> mm	Wt. kg
085B-44A	44	178.03	184.8	15	1.0
085B-45A	45	182.07	188.9	15	1.1
085B-46A	46	186.10	192.9	20	1.1
085B-47A	47	190.14	196.9	20	1.3
085B-48A	48	194.18	201.0	20	1.5
085B-49A	49	198.22	205.0	20	1.5
085B-50A	50	202.26	209.1	20	1.5
085B-51A	51	206.30	213.1	20	1.54
085B-52A	52	210.34	217.1	20	1.6
085B-53A	53	214.37	221.2	20	1.6
085B-54A	54	218.43	225.2	20	1.6
085B-55A	55	222.46	229.3	20	1.62
085B-56A	56	226.50	233.3	20	1.62
085B-57A	57	230.54	237.3	20	1.7
085B-58A	58	234.58	241.4	20	1.7
085B-59A	59	238.62	245.4	20	1.8
085B-60A	60	242.66	249.5	20	1.8
085B-62A	62	250.75	257.5	20	1.8
085B-64A	64	258.82	265.6	20	1.9
085B-65A	65	262.86	269.7	20	1.9
085B-66A	66	266.90	273.7	25	2.0
085B-68A	68	274.99	281.8	25	2.5
085B-70A	70	283.07	289.9	25	2.7
085B-72A	72	291.16	298.0	25	2.8
085B-75A	75	303.27	310.1	25	3.0
085B-76A	76	307.33	314.1	25	3.0
085B-78A	78	315.40	322.2	25	3.1
085B-80A	80	323.48	330.3	25	3.2
085B-85A	85	343.69	350.5	25	3.5
085B-90A	90	363.90	370.7	25	3.5
085B-95A	95	384.11	390.9	25	4.0
085B-100A	100	404.31	411.1	25	4.0
085B-110A	110	444.74	451.5	25	4.5
085B-114A	114	460.90	467.7	25	4.5
085B-120A	120	485.16	492.0	25	5.0
085B-125A	125	505.37	512.2	25	5.0

# Metric Sprockets

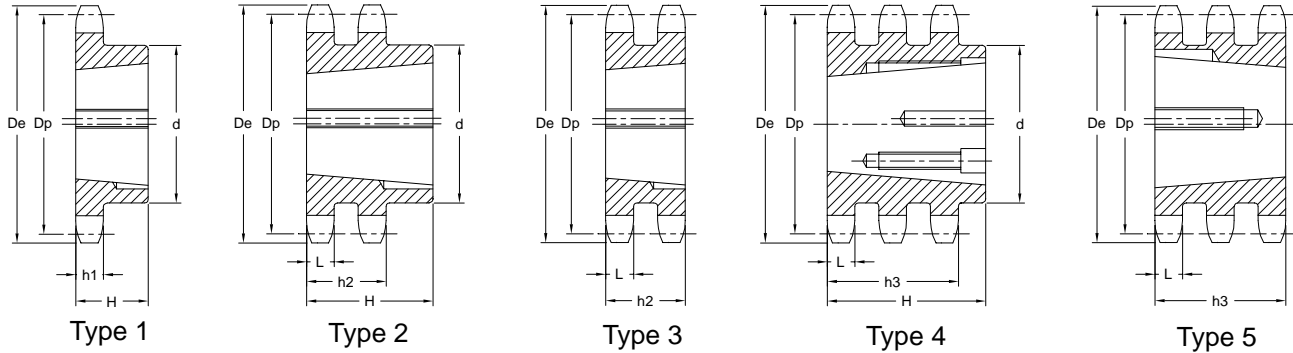


**Taper Bushed Type TL**  
**ISO 08B, DIN 8187 - ISO/R 606**  
**Single, Double, Triple**  
**Standard and Hardened Teeth**  
**Material: Steel C45 E**



Drawing Dimensions	Sprocket Size
	08B
h1	7.2
h2	21
h3	34.9
L	7

**Part No: 08B-20HTL-1610**  
 08B = Chain Size  
 20 = Number of Teeth  
 H = Hardened Teeth  
 TL-1610 = TL Bushing Size



Dimensions in mm

Chain Size 1/2" x 5/16"	Teeth	D <sub>e</sub>	D <sub>p</sub>	Single				Double				Triple			
				Part No.	Type	d	H	Part No.	Type	d	H	Part No.	Type	d	H
08B	15	65.5	61.90	08B-15HTL-1008	1	45	22	08B-2-15TL-1008	2	46	22	08B-3-15TL-1008	5	-	34.9
	16	69.5	65.10	08B-16TL-1108	1	50	22	08B-2-16TL-1108	2	50	22	-	-	-	-
	17	73.6	69.11	08B-17HTL-1210	1	60	25	08B-2-17TL-1210	2	56	25	08B-3-17TL-1210	5	-	34.9
	18	77.8	73.14	08B-18TL-1210	1	60	25	08B-2-18TL-1210	2	60	25	-	-	-	-
	19	81.7	77.16	08B-19HTL-1210	1	63	25	08B-2-19TL-1210	2	62	25	08B-3-19TL-1210	5	-	34.9
	20	85.8	81.19	08B-20TL-1610	1	71	25	08B-2-20TL-1610	2	66	25	-	-	-	-
	21	89.7	85.22	08B-21HTL-1610	1	71	25	08B-2-21TL-1610	2	70	25	08B-3-21TL-1610	5	-	34.9
	22	93.8	89.24	08B-22TL-1610	1	71	25	08B-2-22TL-1610	2	76	25	-	-	-	-
	23	98.2	93.27	08B-23HTL-1610	1	76	25	08B-2-23TL-1610	2	79	25	08B-3-23TL-1610	5	-	34.9
	24	101.8	97.29	08B-24TL-1610	1	76	25	08B-2-24TL-1610	2	84	25	-	-	-	-
	25	105.8	101.33	08B-25HTL-1610	1	76	25	08B-2-25TL-2012	2	87	32	08B-3-25TL-2012	5	-	34.9
	26	110.0	105.36	08B-26TL-1610	1	76	25	08B-2-26TL-2012	2	87	32	-	-	-	-
	27	114.4	109.40	08B-27HTL-1610	1	76	25	08B-2-27TL-2012	2	87	32	08B-3-27TL-2012	5	-	34.9
	28	118.0	113.42	08B-28TL-2012	1	90	32	08B-2-28TL-2012	2	87	32	-	-	-	-
	30	126.1	121.50	08B-30HTL-2012	1	90	32	08B-2-30TL-2012	2	87	32	08B-3-30TL-2012	5	-	34.9
	38	158.6	153.80	08B-38TL-2012	1	90	32	08B-2-38TL-2012	2	100	32	08B-3-38TL-2012	5	-	34.9
	45	188.0	182.07	08B-45TL-2012	1	100	32	08B-2-45TL-2012	2	100	32	-	-	-	-
	57	236.4	230.54	08B-57TL-2012	1	100	32	08B-2-57TL-2012	2	100	32	-	-	-	-
76	313.3	307.33	08B-76TL-2012	1	100	32	08B-2-76TL-2012	2	100	32	-	-	-	-	
95	390.1	304.11	08B-95TL-2012	1	100	32	08B-2-95TL-2012	2	100	32	-	-	-	-	
114	466.9	460.90	08B-114TL-2517	1	110	45	08B-2-114TL-2517	2	110	45	-	-	-	-	

Note: Shaded items with "H" in Part No. indicates Hardened Teeth.



# Metric Sprockets

## Standard, Hardened Teeth and Stainless Steel

### ISO 08B Hub Type B

#### DIN 8187/ISO R 606

Chain Size: **08B-1 (1/2" x 5/16")**  
 Pitch: 12.7 mm  
 Roller Width: 7.75 mm  
 Roller Dia.: 8.51 mm  
 Spkt. Width: 7.2 mm (bf<sub>1</sub>)  
 Material: Standard Steel C45  
 Material: Stainless Steel 304L



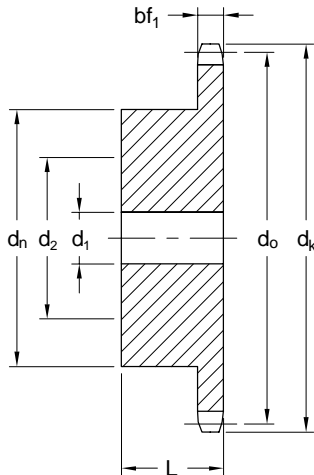
Standard



Hardened Teeth



Stainless Steel



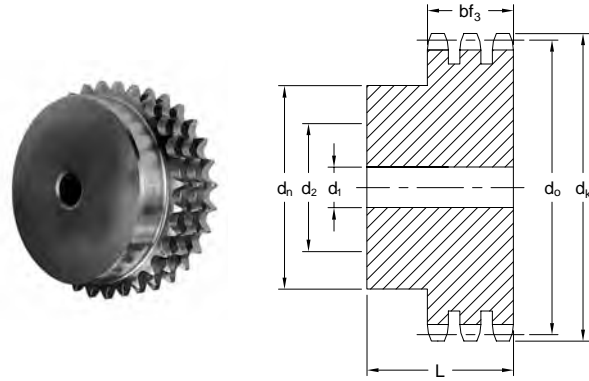
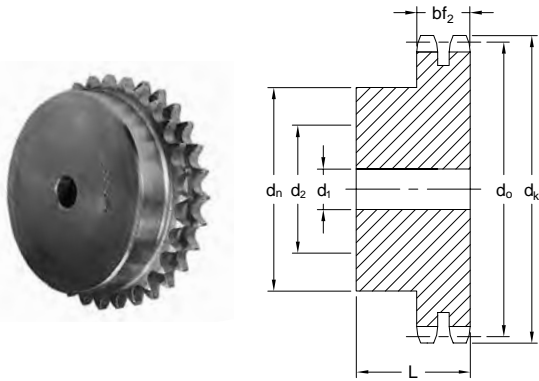
Part No. Standard	Part No. Hardened Teeth	Part No. Stainless Steel	Teeth	d <sub>o</sub> mm	d <sub>k</sub> mm	d <sub>n</sub> mm	d <sub>1</sub> mm	d <sub>2</sub> mm	L mm	Wt. kg
08B-8B	—	—	8	33.18	37.2	20	10	12	25	0.07
08B-9B	—	—	9	37.13	41.0	24	10	14	25	0.08
08B-10B	—	—	10	41.10	45.2	26	10	16	25	0.10
08B-11B	—	—	11	45.07	48.7	29	10	18	25	0.15
08B-12B	08B-12BH	08B-12BSS	12	49.07	53.0	33	10	21	28	0.20
08B-13B	08B-13BH	08B-13BSS	13	53.06	57.4	37	10	23	28	0.25
08B-14B	08B-14BH	08B-14BSS	14	57.07	61.8	41	10	26	28	0.32
08B-15B	08B-15BH	08B-15BSS	15	61.09	65.5	45	10	28	28	0.40
08B-16B	08B-16BH	08B-16BSS	16	65.10	69.5	50	12	31	28	0.45
08B-17B	08B-17BH	08B-17BSS	17	69.11	73.6	52	12	31	28	0.50
08B-18B	08B-18BH	08B-18BSS	18	73.14	77.8	56	12	35	28	0.59
08B-19B	08B-19BH	08B-19BSS	19	77.16	81.7	60	12	38	28	0.65
08B-20B	08B-20BH	08B-20BSS	20	81.19	85.8	64	12	40	28	0.75
08B-21B	08B-21BH	08B-21BSS	21	85.22	89.7	68	12	42	28	0.85
08B-22B	08B-22BH	08B-22BSS	22	89.24	93.8	70	12	44	28	0.93
08B-23B	08B-23BH	08B-23BSS	23	93.27	98.2	70	14	44	28	0.95
08B-24B	08B-24BH	08B-24BSS	24	97.29	101.8	70	14	44	28	0.97
08B-25B	08B-25BH	08B-25BSS	25	101.33	105.8	70	14	44	28	1.00
08B-26B	—	08B-26BSS	26	105.36	110.0	70	16	44	30	1.10
08B-27B	—	—	27	109.40	114.0	70	16	44	30	1.13
08B-28B	—	—	28	113.42	118.0	70	16	44	30	1.15
08B-29B	—	—	29	117.46	122.0	80	16	50	30	1.40
08B-30B	08B-30BH	08B-30BSS	30	121.50	126.1	80	16	50	30	1.45
08B-31B	—	—	31	125.54	130.2	90	16	56	30	1.51
08B-32B	—	—	32	129.56	134.3	90	16	56	30	1.80
08B-33B	—	—	33	133.60	138.4	90	16	56	30	1.85
08B-34B	—	—	34	137.64	142.6	90	16	56	30	1.90
08B-35B	—	—	35	141.68	146.7	90	16	56	30	1.95
08B-36B	—	—	36	145.72	151.0	90	20	56	35	2.20
08B-37B	—	—	37	149.76	154.6	90	20	56	35	2.25
08B-38B	—	—	38	153.80	158.6	90	20	56	35	2.30
08B-39B	—	—	39	157.83	162.7	90	20	56	35	2.35
08B-40B	—	—	40	161.87	166.8	90	20	56	35	2.45

**Note:** All sizes can be Induction Hardened. Finish Bore and Keyway available on request. Other Stainless sizes available on request.

# Metric Sprockets



## ISO 08B-2 and 08B-3 Hub Type B



**Chain Size: 08B-2 (1/2" x 5/16")**  
**Spkt Width: 21mm (bf<sub>2</sub>)**

**Chain Size: 08B-3 (1/2" x 5/16")**  
**Spkt Width: 34.9mm (bf<sub>3</sub>)**

Part No.	Teeth	d <sub>o</sub> mm	d <sub>k</sub> mm	d <sub>n</sub> mm	d <sub>1</sub> mm	d <sub>2</sub> * mm	L mm	Weight kg
08B-2-8B	8	33.18	37.2	20	10	12	32	0.07
08B-2-9B	9	37.13	41.0	24	10	14	32	0.10
08B-2-10B	10	41.10	45.2	28	10	16	32	0.15
08B-2-11B	11	45.70	48.7	32	12	18	35	0.22
08B-2-12B	12	49.07	53.0	35	12	20	35	0.29
08B-2-13B	13	53.06	57.4	38	12	23	35	0.35
08B-2-14B	14	57.07	61.8	42	12	26	35	0.43
08B-2-15B	15	61.09	65.5	46	12	28	35	0.50
08B-2-16B	16	65.10	69.5	50	14	31	35	0.60
08B-2-17B	17	69.11	73.6	54	14	34	35	0.74
08B-2-18B	18	73.14	77.8	58	14	36	35	0.79
08B-2-19B	19	77.16	81.7	62	14	39	35	0.90
08B-2-20B	20	81.19	85.8	66	14	41	35	1.10
08B-2-21B	21	85.22	89.7	70	16	44	40	1.30
08B-2-22B	22	89.24	93.8	70	16	44	40	1.34
08B-2-23B	23	93.27	98.2	70	16	44	40	1.45
08B-2-24B	24	97.29	101.8	75	16	47	40	1.59
08B-2-25B	25	101.33	105.8	80	16	50	40	1.80
08B-2-26B	26	105.36	110.0	85	20	53	40	1.95
08B-2-27B	27	109.40	114.0	85	20	53	40	2.05
08B-2-28B	28	113.42	118.0	90	20	56	40	2.26
08B-2-29B	29	117.46	122.0	95	20	60	40	2.46
08B-2-30B	30	121.50	126.1	100	20	63	40	2.65
08B-2-31B	31	125.54	130.2	100	20	63	40	2.83
08B-2-32B	32	129.56	134.3	100	20	63	40	3.00
08B-2-33B	33	133.60	138.4	100	20	63	40	3.10
08B-2-34B	34	137.64	142.6	100	20	63	40	3.25
08B-2-35B	35	141.68	146.7	100	20	63	40	3.35
08B-2-36B	36	145.72	151.0	110	20	70	40	3.50
08B-2-37B	37	149.76	154.6	110	20	70	40	3.65
08B-2-38B	38	153.80	158.6	110	20	70	40	3.75
08B-2-39B	39	157.83	162.7	110	20	70	40	4.00
08B-2-40B	40	161.87	166.8	110	20	70	40	4.25

Part No.	Teeth	d <sub>o</sub> mm	d <sub>k</sub> mm	d <sub>n</sub> mm	d <sub>1</sub> mm	d <sub>2</sub> * mm	L mm	Weight kg
08B-3-8B	8	33.18	37.2	20	10	12	46	0.17
08B-3-9B	9	37.13	41.0	24	12	14	46	0.20
08B-3-10B	10	41.10	45.2	28	12	16	46	0.24
08B-3-11B	11	45.07	48.7	32	14	18	50	0.38
08B-3-12B	12	49.07	53.0	35	14	20	50	0.39
08B-3-13B	13	53.06	57.4	38	14	24	50	0.47
08B-3-14B	14	57.07	61.8	41	14	25	50	0.60
08B-3-15B	15	61.09	65.5	46	14	28	50	0.70
08B-3-16B	16	65.10	69.5	50	16	31	50	0.85
08B-3-17B	17	69.11	73.6	54	16	32	50	0.98
08B-3-18B	18	73.14	77.8	58	16	36	50	1.15
08B-3-19B	19	77.16	81.7	62	16	40	50	1.30
08B-3-20B	20	81.19	85.8	66	16	41	50	1.45
08B-3-21B	21	85.22	89.7	70	20	44	55	1.70
08B-3-22B	22	89.24	93.8	70	20	44	55	1.85
08B-3-23B	23	93.27	98.2	70	20	44	55	2.00
08B-3-24B	24	97.29	101.8	75	20	47	55	2.25
08B-3-25B	25	101.33	105.8	80	20	50	55	2.50
08B-3-26B	26	105.36	110.0	85	20	53	55	2.78
08B-3-27B	27	109.40	114.0	85	20	53	55	2.95
08B-3-28B	28	113.42	118.0	90	20	56	55	3.23
08B-3-29B	29	117.46	122.0	95	20	60	55	3.50
08B-3-30B	30	121.50	126.1	100	20	63	55	3.80
08B-3-31B	31	125.54	130.2	110	20	70	55	4.30
08B-3-32B	32	129.56	134.3	110	20	70	55	4.50
08B-3-33B	33	133.60	138.4	110	20	70	55	4.72
08B-3-34B	34	137.64	142.6	110	20	70	55	4.95
08B-3-35B	35	141.68	146.7	110	20	70	55	5.15
08B-3-36B	36	145.72	151.0	120	25	76	55	5.62
08B-3-37B	37	149.76	154.6	120	25	76	55	5.85
08B-3-38B	38	153.80	158.6	120	25	76	55	6.15
08B-3-39B	39	157.83	162.7	120	25	76	55	6.38
08B-3-40B	40	161.87	166.8	120	25	76	55	6.60

\*Note: Approximate max bore, consult PTI for larger sizes.



# Metric Sprockets

## ISO 08B Plate Type A DIN 8187/ISO R 606

**Chain Size: 08B-1 (1/2" x 5/16")**

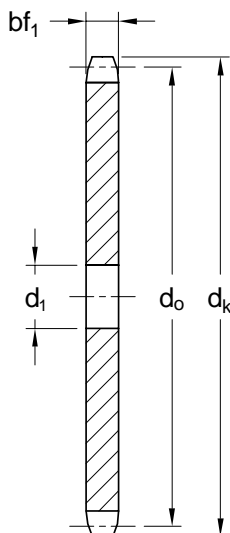
Pitch: 12.7 mm

Roller Width: 7.75 mm

Roller Dia.: 8.51 mm

Spkt. Width: 7.2 mm (bf<sub>1</sub>)

Material: Steel C 45



Part No.	Teeth	d <sub>o</sub> mm	d <sub>k</sub> mm	d <sub>1</sub> mm	Weight kg
08B-8A	8	37.0	33.2	8	0.02
08B-9A	9	41.0	37.1	8	0.02
08B-10A	10	41.1	45	8	0.05
08B-11A	11	45.1	49	10	0.07
08B-12A	12	49.1	53	10	0.08
08B-13A	13	53.6	58	10	0.10
08B-14A	14	57.7	62	10	0.11
08B-15A	15	61.1	66	10	0.13
08B-16A	16	65.1	70	10	0.16
08B-17A	17	69.1	74	10	0.18
08B-18A	18	73.1	78	10	0.20
08B-19A	19	77.2	82	10	0.23
08B-20A	20	81.2	86	10	0.25
08B-21A	21	85.5	90	12	0.28
08B-22A	22	89.2	94	12	0.30
08B-23A	23	93.3	99	12	0.33
08B-24A	24	97.3	102	12	0.37
08B-25A	25	101.3	106	12	0.40
08B-26A	26	105.4	110	16	0.43
08B-27A	27	109.4	115	16	0.47
08B-28A	28	113.4	118	16	0.50
08B-29A	29	117.5	122	16	0.55
08B-30A	30	121.5	127	16	0.58
08B-31A	31	125.54	130.2	16	0.61
08B-32A	32	129.6	135	16	0.66
08B-33A	33	133.6	138.4	16	0.71
08B-34A	34	137.6	143	16	0.75
08B-35A	35	141.7	147	16	0.79
08B-36A	36	145.7	151	16	0.84
08B-37A	37	149.76	154.6	16	0.92
08B-38A	38	153.8	159	16	0.94
08B-40A	40	161.9	167	16	1.04
08B-42A	42	170.0	176	20	1.15
08B-44A	44	178.0	184	20	1.25
08B-45A	45	182.1	188	20	1.30
08B-46A	46	186.1	192	20	1.36
08B-47A	47	190.14	196.2	20	1.38
08B-48A	48	194.2	203	20	1.50
08B-49A	49	198.2	205	20	1.55
08B-50A	50	202.3	209	20	1.66
08B-54A	54	218.4	224	20	1.88
08B-57A	57	230.5	237	20	2.10
08B-60A	60	242.7	249	20	2.36
08B-65A	65	262.9	269	25	2.75
08B-70A	70	283.1	289	25	3.22
08B-76A	76	307.33	314	25	3.86
08B-80A	80	323.5	330	25	4.26
08B-90A	90	363.9	370	25	5.43
08B-95A	95	384.1	390	25	6.07
08B-100A	100	404.3	411	25	6.72
08B-114A	114	460.9	467	25	8.85
08B-125A	125	505.4	511	25	10.50

**Note:**  
Double and triple sprockets including stainless steel available on request.

# Metric Sprockets

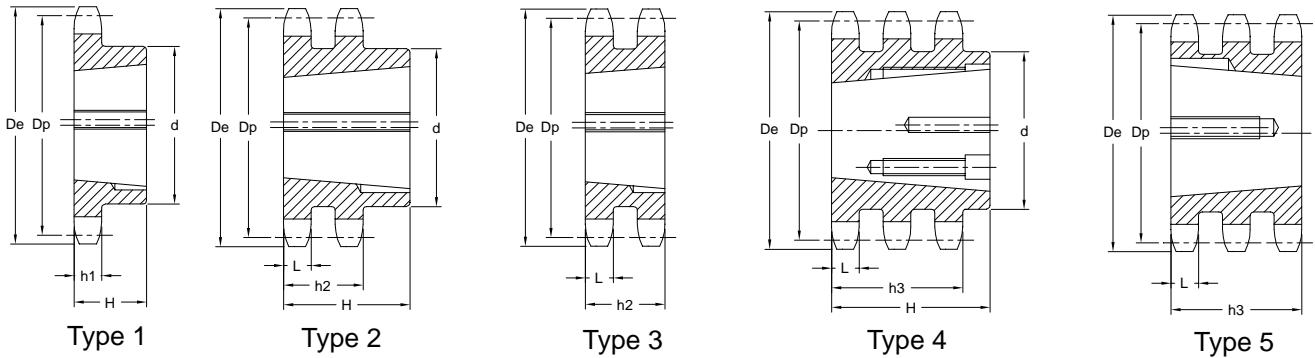


**Taper Bushed Type TL**  
**ISO 10B, DIN 8187 - ISO/R 606**  
**Single, Double, Triple**  
**Standard and Hardened Teeth**  
**Material: Steel C45 E**



Drawing Dimensions	Sprocket Size
	10B
h1	9.1
h2	25.5
h3	42.1
L	9

**Part No: 10B-21HTL-1610**  
 10B = Chain Size  
 21 = Number of Teeth  
**H = Hardened Teeth**  
 TL-1610 = TL Bushing Size



Dimensions in mm

Chain Size 5/8" x 3/8"	Teeth	D <sub>e</sub>	D <sub>p</sub>	Single				Double				Triple			
				Part No.	Type	d	H	Part No.	Type	d	H	Part No.	Type	d	H
10B	13	73.0	66.32	10B-13HTL-1008	1	47	22	10B-2-13TL-1210	3	—	25.5	—	—	—	—
	14	78.0	71.34	10B-14TL-1108	1	52	22	—	—	—	—	—	—	—	
	15	83.0	76.36	10B-15HTL-1210	1	60	25	10B-2-15TL-1210	3	—	25.5	10B-3-15TL-1210	5	—	42.1
	16	88.0	81.37	10B-16TL-1610	1	70	25	—	—	—	—	—	—	—	
	17	93.0	86.36	10B-17HTL-1610	1	71	25	10B-2-17TL-1610	3	—	25.5	10B-3-17TL-1210	5	—	42.1
	18	98.3	91.42	10B-18TL-1610	1	75	25	—	—	—	—	—	—	—	
	19	103.3	96.45	10B-19HTL-1610	1	75	25	10B-2-19TL-1610	3	—	25.5	10B-3-19TL-1615	5	—	42.1
	20	108.4	101.49	10B-20TL-1610	1	75	25	10B-2-20TL-1610	3	—	25.5	—	—	—	
	21	113.4	106.52	10B-21HTL-1610	1	76	25	10B-2-21TL-1610	3	—	25.5	10B-3-21TL-1615	5	—	42.1
	22	118.0	111.25	10B-22TL-1610	1	76	25	10B-2-22TL-1610	3	—	25.5	—	—	—	
	23	123.4	116.58	10B-23HTL-1610	1	76	25	10B-2-23TL-1610	3	—	25.5	10B-3-23TL-2012	5	—	42.1
	24	128.3	121.62	10B-24TL-2012	1	90	32	—	—	—	—	—	—	—	
	25	134.0	126.66	10B-25HTL-2012	1	90	32	10B-2-25TL-2012	2	90	32.0	10B-3-25TL-2517	4	105	45.0
	26	139.0	131.70	10B-26TL-2012	1	90	32	—	—	—	—	—	—	—	
	27	144.0	136.75	10B-27HTL-2012	1	90	32	10B-2-27TL-2012	2	90	32.0	10B-3-27TL-2517	4	110	45.0
	28	148.7	141.78	10B-28TL-2012	1	90	32	—	—	—	—	—	—	—	
	30	158.8	151.87	10B-30HTL-2012	1	90	32	10B-2-30TL-2012	2	90	32.0	10B-3-30TL-2517	4	120	45.0
	38	199.2	192.24	10B-38TL-2012	1	100	32	10B-2-38TL-2517	2	108	45.0	—	—	—	
	45	235.0	227.58	10B-45TL-2012	1	100	32	—	—	—	—	—	—	—	
	57	296.0	288.18	10B-57TL-2012	1	100	32	—	—	—	—	—	—	—	
76	392.1	384.16	10B-76TL-2012	1	100	32	—	—	—	—	—	—	—		
95	488.5	480.14	10B-95TL-2517	1	110	45	—	—	—	—	—	—	—		
114	584.1	576.13	10B-114TL-2517	1	110	45	—	—	—	—	—	—	—		

Note: Shaded items with "H" in Part No. indicates Hardened Teeth.



# Metric Sprockets

## Standard, Hardened Teeth and Stainless Steel

### ISO 10B Hub Type B

#### DIN 8187/ISO R 606

Chain Size: 10B-1 (5/8" x 3/8")  
 Pitch: 15.875 mm  
 Roller Width: 9.65 mm  
 Roller Dia.: 10.16 mm  
 Spkt. Width: 9.1 mm (bf<sub>1</sub>)  
 Material: Standard Steel C45  
 Material: Stainless Steel 304L



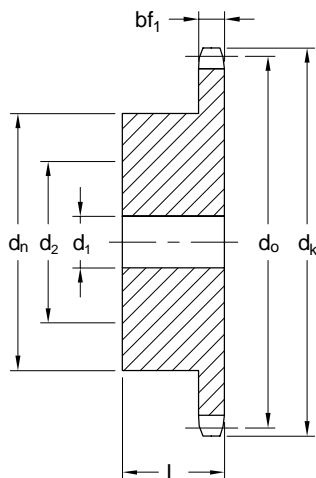
Standard



Hardened Teeth



Stainless Steel



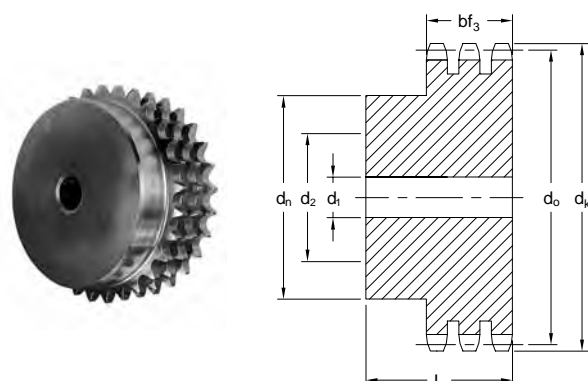
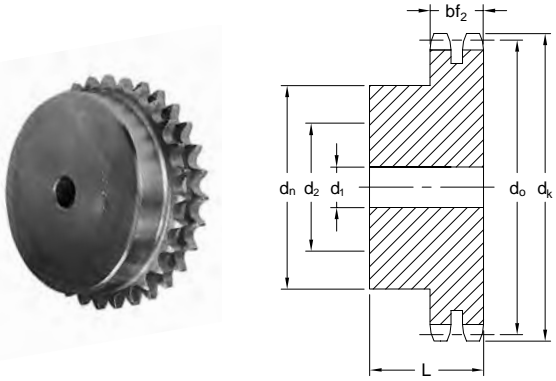
Part No. Standard	Part No. Hardened Teeth	Part No. Stainless Steel	Teeth	d <sub>o</sub> mm	d <sub>k</sub> mm	d <sub>n</sub> mm	d <sub>1</sub> mm	d <sub>2</sub> mm	L mm	Wt. kg
10B-8B	—	—	8	41.48	47.0	25	10	16	25	0.23
10B-9B	—	—	9	46.42	52.6	30	10	18	25	0.25
10B-10B	—	—	10	51.37	57.5	35	10	20	25	0.27
10B-11B	—	—	11	56.34	63.0	37	12	23	30	0.30
10B-12B	10B-12BH	10B-12BSS	12	61.34	68.0	42	12	26	30	0.35
10B-13B	10B-13BH	10B-13BSS	13	66.32	73.0	47	12	29	30	0.47
10B-14B	10B-14BH	10B-14BSS	14	71.34	78.0	52	12	32	30	0.55
10B-15B	10B-15BH	10B-15BSS	15	76.36	83.0	57	12	35	30	0.65
10B-16B	10B-16BH	10B-16BSS	16	81.37	88.0	60	12	38	30	0.77
10B-17B	10B-17BH	10B-17BSS	17	86.39	93.0	60	12	38	30	0.80
10B-18B	10B-18BH	10B-18BSS	18	91.42	98.3	70	14	44	30	1.03
10B-19B	10B-19BH	10B-19BSS	19	96.45	103.3	70	14	44	30	1.17
10B-20B	10B-20BH	10B-20BSS	20	101.49	108.4	75	14	47	30	1.22
10B-21B	10B-21BH	10B-21BSS	21	106.52	113.4	75	16	47	30	1.30
10B-22B	10B-22BH	10B-22BSS	22	111.55	118.0	80	16	50	30	1.41
10B-23B	10B-23BH	10B-23BSS	23	116.58	123.4	80	16	50	30	1.47
10B-24B	10B-24BH	10B-24BSS	24	121.62	128.3	80	16	50	30	1.53
10B-25B	10B-25BH	10B-25BSS	25	126.66	134.0	80	16	50	30	1.60
10B-26B	—	—	26	131.70	139.0	85	20	53	35	1.97
10B-27B	—	—	27	136.75	144.0	85	20	53	35	2.05
10B-28B	—	—	28	141.78	148.7	90	20	56	35	2.30
10B-29B	—	—	29	146.83	153.8	90	20	56	35	2.35
10B-30B	10B-30BH	10B-30BSS	30	151.87	158.8	90	20	56	35	2.43
10B-31B	—	—	31	156.92	163.9	95	20	60	35	2.63
10B-32B	—	—	32	161.95	168.9	95	20	60	35	2.75
10B-33B	—	—	33	167.00	174.5	95	20	60	35	2.85
10B-34B	—	—	34	172.05	179.0	95	20	60	35	3.00
10B-35B	—	—	35	177.10	184.1	95	20	60	35	3.05
10B-36B	—	—	36	182.15	189.1	100	20	63	35	3.15
10B-37B	—	—	37	187.20	194.2	100	20	63	35	3.40
10B-38B	—	—	38	192.24	199.2	100	20	63	35	3.48
10B-39B	—	—	39	197.29	204.2	100	20	63	35	3.60
10B-40B	—	—	40	202.34	209.3	100	20	63	35	3.71

**Note:** All sizes can be Induction Hardened. Finish Bore and Key-way available on request. Other Stainless sizes available on request.

# Metric Sprockets



## ISO 10B-2 and 10B-3 Hub Type B



**Chain Size: 10B-2 (5/8" x 3/8")**  
**Spkt Width: 25.5mm (bf<sub>2</sub>)**

**Chain Size: 10B-3 (5/8" x 3/8")**  
**Spkt Width: 42.1mm (bf<sub>3</sub>)**

Part No.	Teeth	d <sub>o</sub> mm	d <sub>k</sub> mm	d <sub>n</sub> mm	d <sub>1</sub> mm	d <sub>2</sub> * mm	L mm	Weight kg
10B-2-8B	8	41.48	47.0	25	12	16	40	0.21
10B-2-9B	9	46.42	52.6	30	12	18	40	0.27
10B-2-10B	10	51.37	57.5	35	12	20	40	0.35
10B-2-11B	11	56.34	63.0	39	14	23	40	0.45
10B-2-12B	12	61.34	68.0	44	14	26	40	0.55
10B-2-13B	13	66.32	73.0	49	14	30	40	0.68
10B-2-14B	14	71.34	78.0	54	14	34	40	0.84
10B-2-15B	15	76.36	83.0	59	14	37	40	0.95
10B-2-16B	16	81.37	88.0	64	16	40	45	1.25
10B-2-17B	17	86.39	93.0	69	16	43	45	1.45
10B-2-18B	18	91.42	98.3	74	16	46	45	1.65
10B-2-19B	19	96.45	103.3	79	16	49	45	1.90
10B-2-20B	20	101.49	108.4	84	16	52	45	2.10
10B-2-21B	21	106.52	113.4	85	16	53	45	2.27
10B-2-22B	22	111.55	118.0	90	16	46	45	2.58
10B-2-23B	23	116.58	123.4	95	16	60	45	2.80
10B-2-24B	24	121.62	128.3	100	16	63	45	3.12
10B-2-25B	25	126.66	134.0	105	16	66	45	3.40
10B-2-26B	26	131.70	139.0	110	20	70	45	3.70
10B-2-27B	27	136.75	144.0	110	20	70	45	3.90
10B-2-28B	28	141.78	148.7	115	20	73	45	4.25
10B-2-29B	29	146.83	153.8	115	20	73	45	4.50
10B-2-30B	30	151.87	158.8	120	20	76	45	4.85
10B-2-31B	31	156.92	163.9	120	20	76	45	4.95
10B-2-32B	32	161.95	168.9	120	20	76	45	5.10
10B-2-33B	33	167.00	174.5	120	20	76	45	5.20
10B-2-34B	34	172.05	179.0	120	20	76	45	5.30
10B-2-35B	35	177.10	184.1	120	20	76	45	5.45
10B-2-36B	36	182.15	189.1	120	20	76	45	5.60
10B-2-37B	37	187.20	194.2	120	20	76	45	6.30
10B-2-38B	38	192.24	199.2	120	20	76	45	7.00
10B-2-39B	39	197.29	204.2	120	20	76	45	7.30
10B-2-40B	40	202.34	209.3	120	20	76	45	7.52

Part No.	Teeth	d <sub>o</sub> mm	d <sub>k</sub> mm	d <sub>n</sub> mm	d <sub>1</sub> mm	d <sub>2</sub> * mm	L mm	Weight kg
10B-3-8B	8	41.48	47.0	25	12	16	55	0.28
10B-3-9B	9	46.42	52.6	30	12	18	55	0.38
10B-3-10B	10	51.37	57.5	35	16	20	55	0.50
10B-3-11B	11	56.34	63.0	39	16	23	55	0.62
10B-3-12B	12	61.34	68.0	44	16	26	55	0.77
10B-3-13B	13	66.32	73.0	49	16	30	55	0.97
10B-3-14B	14	71.34	78.0	54	16	34	55	1.16
10B-3-15B	15	76.36	83.0	59	16	37	55	1.35
10B-3-16B	16	81.37	88.0	64	16	40	60	1.65
10B-3-17B	17	86.39	93.0	69	16	43	60	1.96
10B-3-18B	18	91.42	98.3	74	16	46	60	2.25
10B-3-19B	19	96.45	103.3	79	16	49	60	2.50
10B-3-20B	20	101.49	108.4	84	16	52	60	2.90
10B-3-21B	21	106.52	113.4	85	20	53	60	3.10
10B-3-22B	22	111.55	118.0	90	20	46	60	3.44
10B-3-23B	23	116.58	123.4	95	20	60	60	4.05
10B-3-24B	24	121.62	128.3	100	20	63	60	4.33
10B-3-25B	25	126.66	134.0	105	20	66	60	4.60
10B-3-26B	26	131.70	139.0	110	20	70	45	5.00
10B-3-27B	27	136.75	144.0	110	20	70	60	5.40
10B-3-28B	28	141.78	148.7	115	20	73	60	5.80
10B-3-29B	29	146.83	153.8	115	20	73	60	6.18
10B-3-30B	30	151.87	158.8	120	20	76	60	6.69
10B-3-31B	31	156.92	163.9	120	20	76	60	7.20
10B-3-32B	32	161.95	168.9	120	20	76	60	7.50
10B-3-33B	33	167.00	174.5	120	20	76	60	8.00
10B-3-34B	34	172.05	179.0	120	20	76	60	8.57
10B-3-35B	35	177.10	184.1	120	20	76	60	8.80
10B-3-36B	36	182.15	189.1	120	25	76	60	9.30
10B-3-37B	37	187.20	194.2	120	25	76	60	9.78
10B-3-38B	38	192.24	199.2	120	25	76	60	9.90
10B-3-39B	39	197.29	204.2	120	25	76	60	10.30
10B-3-40B	40	202.34	209.3	120	25	76	60	10.80

\*Note: Approximate max bore, consult PTI for larger sizes.

# Metric Sprockets



## ISO 10B Plate Type A

### DIN 8187/ISO R 606

**Chain Size: 10B-1 (5/8" x 3/8")**

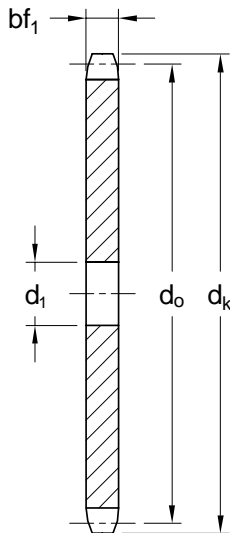
Pitch: 15.875 mm

Roller Width: 9.65 mm

Roller Dia.: 10.16 mm

Spkt. Width: 9.1 mm (bf<sub>1</sub>)

Material: Steel C 45



Part No.	Teeth	d <sub>o</sub> mm	d <sub>k</sub> mm	d <sub>1</sub> mm	Weight kg
10B-8A	8	41.48	47.0	10	0.10
10B-9A	9	46.42	52.6	10	0.10
10B-10A	10	51.37	57.5	10	0.11
10B-11A	11	56.30	63	10	0.14
10B-12A	12	61.30	68	10	0.17
10B-13A	13	66.30	73	10	0.20
10B-14A	14	71.30	78	10	0.23
10B-15A	15	76.40	83	10	0.27
10B-16A	16	81.40	88	12	0.31
10B-17A	17	86.40	93	12	0.35
10B-18A	18	91.40	98	12	0.39
10B-19A	19	96.50	103	12	0.44
10B-20A	20	101.50	108	12	0.49
10B-21A	21	106.50	113	12	0.55
10B-22A	22	111.60	118	12	0.61
10B-23A	23	116.60	123	12	0.67
10B-24A	24	121.60	128	12	0.73
10B-25A	25	126.70	134	12	0.79
10B-26A	26	131.70	139	16	0.84
10B-27A	27	136.70	144	16	0.91
10B-28A	28	141.80	149	16	1.00
10B-29A	29	146.80	154	16	1.07
10B-30A	30	151.90	159	16	1.14
10B-31A	31	156.92	164	16	1.10
10B-32A	32	162.00	169	16	1.30
10B-33A	33	167.00	174	16	1.39
10B-34A	34	172.10	179	16	1.48
10B-35A	35	177.10	184	16	1.55
10B-36A	36	182.10	190	20	1.63
10B-37A	37	187.20	194	20	1.74
10B-38A	38	192.20	200	20	1.83
10B-39A	39	197.30	204	20	1.91
10B-40A	40	202.30	210	20	2.04
10B-42A	42	212.40	220	20	2.28
10B-43A	43	217.50	225	20	2.35
10B-44A	44	222.50	230	20	2.49
10B-45A	45	227.60	235	20	2.58
10B-46A	46	232.60	240	20	2.70
10B-47A	47	237.70	245	20	2.81
10B-48A	48	242.70	250	20	2.90
10B-49A	49	247.80	255	20	3.09
10B-50A	50	252.80	261	20	3.18
10B-54A	54	273.10	280.5	20	3.20
10B-57A	57	288.20	296	25	4.24
10B-60A	60	303.30	311	25	4.70
10B-65A	65	328.60	336.5	25	5.50
10B-70A	70	353.80	362	25	6.30
10B-76A	76	384.20	392	25	7.46
10B-80A	80	404.40	412	25	8.28
10B-90A	90	454.90	463	30	10.75
10B-95A	95	480.14	488.5	30	11.88

Note:  
Double and triple sprockets including stainless steel available on request.

# Metric Sprockets



## Taper Lock Bushed Type TL

ISO 12B, DIN 8187 - ISO/R 606

Single, Double, Triple

Standard and Hardened Teeth

Material: Steel C45 E



Drawing Dimensions	Sprocket Sizes
	12B
h1	11.1
h2	30.3
h3	49.8
L	10.8

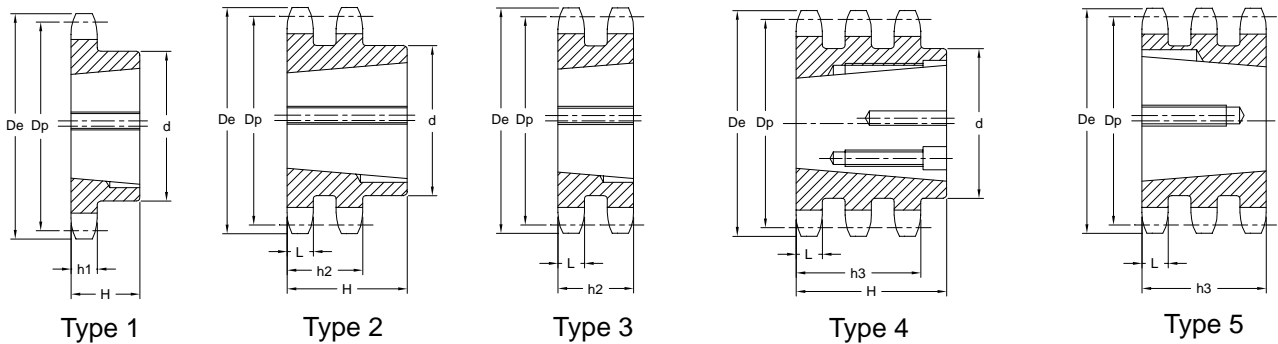
**Part No: 12B-21HTL-2517**

12B = Chain Size

21 = Number of Teeth

H = Hardened Teeth

TL-2517 = TL Bushing Size



Dimensions in mm

Chain Size 3/4" x 7/16"	Teeth	D <sub>e</sub>	D <sub>p</sub>	Single				Double				Triple					
				Part No.	Type	d	H	Part No.	Type	d	H	Part No.	Type	d	H		
12B	13	87.5	79.59	12B-13HTL-1210	1	60	25	—	—	—	—	—	—	—	—	—	—
	14	93.6	85.61	12B-14TL-1610	1	70	25	—	—	—	—	—	—	—	—	—	—
	15	99.8	91.63	12B-15HTL-1610	1	70	25	12B-2-15TL-1610	3	—	30.3	12B-3-15TL-1615	5	—	—	—	—
	16	105.5	97.65	12B-16TL-1610	1	75	25	12B-2-16TL-1610	3	—	30.3	—	—	—	—	—	—
	17	111.5	103.67	12B-17HTL-1610	1	76	25	12B-2-17TL-1610	3	—	30.3	12B-3-17TL-2012	5	—	—	—	—
	18	118.0	109.71	12B-18TL-2012	1	90	32	12B-2-18TL-2012	2	90	32	—	—	—	—	—	—
	19	124.2	115.75	12B-19HTL-2012	1	90	32	12B-2-19TL-2012	2	90	32	12B-3-19TL-2012	5	—	—	—	—
	20	129.7	121.78	12B-20TL-2012	1	90	32	12B-2-20TL-2517	2	108	45	—	—	—	—	—	—
	21	136.0	127.82	12B-21HTL-2517	1	102	45	12B-2-21TL-2517	2	108	45	12B-3-21TL-2517	5	—	—	—	—
	22	141.8	133.86	12B-22TL-2517	1	102	45	12B-2-22TL-2517	2	108	45	—	—	—	—	—	—
	23	149.0	139.90	12B-23HTL-2517	1	108	45	12B-2-23TL-2517	2	108	45	12B-3-23TL-2517	5	—	—	—	—
	24	153.9	145.94	12B-24TL-2517	1	108	45	12B-2-24TL-2517	2	108	45	—	—	—	—	—	—
	25	160.0	152.00	12B-25HTL-2517	1	108	45	12B-2-25TL-2517	2	108	45	12B-3-25TL-2517	5	—	—	—	—
	26	165.9	158.04	12B-26TL-2517	1	108	45	12B-2-26TL-2517	2	108	45	—	—	—	—	—	—
	27	172.3	164.00	12B-27HTL-2517	1	108	45	12B-2-27TL-2517	2	108	45	12B-3-27TL-3020	4	140	51	—	—
	28	178.0	170.13	12B-28TL-2517	1	108	45	12B-2-28TL-2517	2	108	45	—	—	—	—	—	—
	30	190.5	182.25	12B-30HTL-2517	1	108	45	12B-2-30TL-2517	2	108	45	12B-3-30TL-3020	4	140	51	—	—
	38	239.0	230.69	12B-38TL-2517	1	108	45	12B-2-38TL-3020	2	140	51	12B-3-38TL-3020	4	140	51	—	—
	45	282.5	273.10	12B-45TL-2517	1	108	45	12B-2-45TL-3020	2	140	51	12B-3-45TL-3020	4	140	51	—	—
	57	355.4	345.81	12B-57TL-2517	1	108	45	12B-2-57TL-3020	2	140	51	12B-3-57TL-3020	4	140	51	—	—
76	469.9	460.99	12B-76TL-2517	1	108	45	12B-2-76TL-3020	2	140	51	12B-3-76TL-3020	4	140	51	—	—	
95	585.1	576.17	12B-95TL-2517	1	108	45	12B-2-95TL-3020	2	140	51	—	—	—	—	—	—	
114	700.6	691.36	12B-114TL-2525	1	108	64	—	—	—	—	—	—	—	—	—	—	

Note: Shaded items with "H" in Part No. indicates Hardened Teeth.



# Metric Sprockets

## Standard, Hardened Teeth and Stainless Steel

### ISO 12B Hub Type B

#### DIN 8187/ISO R 606

Chain Size: 12B-1 (3/4" x 7/16")  
 Pitch: 19.05 mm  
 Roller Width: 11.68 mm  
 Roller Dia.: 12.07 mm  
 Spkt. Width: 11.1 mm (bf<sub>1</sub>)  
 Material: Standard Steel C45  
 Material: Stainless Steel 304L



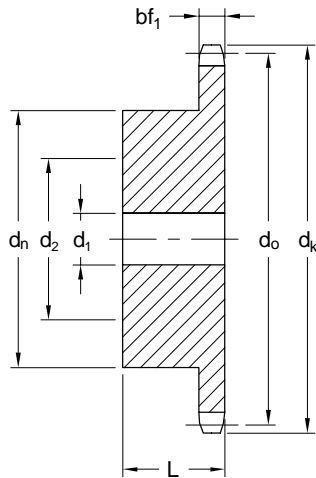
Standard



Hardened Teeth



Stainless Steel



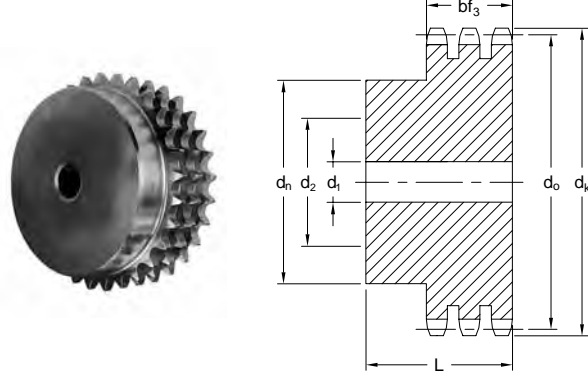
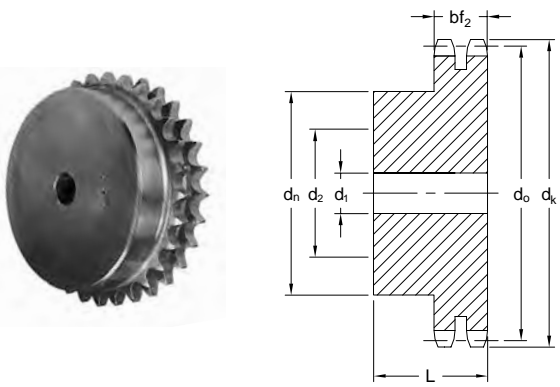
Part No. Standard	Part No. Hardened Teeth	Part No. Stainless Steel	Teeth	d <sub>o</sub> mm	d <sub>k</sub> mm	d <sub>n</sub> mm	d <sub>1</sub> mm	d <sub>2</sub> mm	L mm	Wt. kg
12B-8B	—	—	8	49.78	57.6	31	12	20	30	0.22
12B-9B	—	—	9	55.70	62.0	37	12	22	30	0.30
12B-10B	—	—	10	61.64	69.0	42	12	26	30	0.40
12B-11B	—	—	11	67.61	75.0	46	14	28	35	0.52
12B-12B	12B-12BH	12B-12BSS	12	73.60	81.5	52	14	32	35	0.67
12B-13B	12B-13BH	12B-13BSS	13	79.59	87.5	58	14	36	35	0.83
12B-14B	12B-14BH	12B-14BSS	14	85.61	93.6	64	14	41	35	1.00
12B-15B	12B-15BH	12B-15BSS	15	91.63	99.8	70	14	44	35	1.17
12B-16B	12B-16BH	12B-16BSS	16	97.65	105.5	75	16	47	35	1.36
12B-17B	12B-17BH	12B-17BSS	17	103.67	111.5	80	16	50	35	1.54
12B-18B	12B-18BH	12B-18BSS	18	109.71	118.0	80	16	50	35	1.65
12B-19B	12B-19BH	12B-19BSS	19	115.75	124.2	80	16	50	35	1.71
12B-20B	12B-20BH	12B-20BSS	20	121.78	129.7	80	16	50	35	1.82
12B-21B	12B-21BH	12B-21BSS	21	127.82	136.0	90	20	56	40	2.37
12B-22B	12B-22BH	12B-22BSS	22	133.86	141.8	90	20	56	40	2.45
12B-23B	12B-23BH	12B-23BSS	23	139.90	149.0	90	20	56	40	2.60
12B-24B	12B-24BH	12B-24BSS	24	145.94	153.9	90	20	56	40	2.73
12B-25B	12B-25BH	12B-25BSS	25	152.00	160.0	90	20	56	40	2.80
12B-26B	—	—	26	158.04	165.9	95	20	60	40	3.09
12B-27B	—	—	27	164.09	172.3	95	20	60	40	3.30
12B-28B	—	—	28	170.13	178.0	95	20	60	40	3.40
12B-29B	—	—	29	176.19	184.1	95	20	60	40	3.50
12B-30B	12B-30BH	12B-30BSS	30	182.25	190.5	95	20	60	40	3.65
12B-31B	—	—	31	188.31	196.3	100	20	63	40	3.85
12B-32B	—	—	32	194.35	203.3	100	20	63	40	4.00
12B-33B	—	—	33	200.40	209.3	100	20	63	40	4.10
12B-34B	—	—	34	206.46	214.6	100	20	63	40	4.35
12B-35B	—	—	35	212.52	221.0	100	20	63	40	4.60
12B-36B	—	—	36	218.58	226.8	100	20	63	40	4.85
12B-37B	—	—	37	224.64	232.9	100	20	63	40	4.95
12B-38B	—	—	38	230.69	239.0	100	20	63	40	5.10
12B-39B	—	—	39	236.75	245.1	100	20	63	40	5.27
12B-40B	—	—	40	242.81	251.3	100	20	63	40	5.50

**Note:** All sizes can be Induction Hardened. Finish Bore and Key-way available on request. Other Stainless sizes available on request.

# Metric Sprockets



## ISO 12B-2 and 12B-3 Hub Type B



**Chain Size: 12B-2 (3/4" x 7/16")**  
**Spkt Width: 30.3mm (bf<sub>2</sub>)**

Part No.	Teeth	d <sub>o</sub> mm	d <sub>k</sub> mm	d <sub>n</sub> mm	d <sub>1</sub> mm	d <sub>2</sub> * mm	L mm	Weight kg
12B-2-8B	8	49.78	57.6	31	12	20	45	0.32
12B-2-9B	9	55.70	62.0	37	12	22	45	0.45
12B-2-10B	10	61.64	69.0	42	12	26	45	0.65
12B-2-11B	11	67.61	75.0	47	16	29	50	0.80
12B-2-12B	12	73.60	81.5	53	16	32	50	1.03
12B-2-13B	13	79.59	87.5	59	16	36	50	1.25
12B-2-14B	14	85.61	93.6	65	16	40	50	1.50
12B-2-15B	15	91.63	99.8	71	16	44	50	1.78
12B-2-16B	16	97.65	105.5	77	20	48	50	2.05
12B-2-17B	17	103.67	111.5	83	20	51	50	2.40
12B-2-18B	18	109.71	118.0	89	20	54	50	2.70
12B-2-19B	19	115.75	124.2	95	20	60	50	3.10
12B-2-20B	20	121.78	129.7	100	20	63	50	3.43
12B-2-21B	21	127.82	136.0	100	20	63	50	3.70
12B-2-22B	22	133.86	141.8	100	20	63	50	3.40
12B-2-23B	23	139.90	149.0	110	20	70	50	4.55
12B-2-24B	24	145.94	153.9	110	20	70	50	4.85
12B-2-25B	25	152.00	160.0	120	20	76	50	5.45
12B-2-26B	26	158.04	165.9	120	20	76	50	5.74
12B-2-27B	27	164.09	172.3	120	20	76	50	6.15
12B-2-28B	28	170.13	178.0	120	20	76	50	6.45
12B-2-29B	29	176.19	184.1	120	20	76	50	6.83
12B-2-30B	30	182.25	190.5	120	20	76	50	7.20
12B-2-31B	31	188.31	196.3	130	20	80	50	7.25
12B-2-32B	32	194.35	203.3	130	20	80	50	7.30
12B-2-33B	33	200.40	209.3	130	20	80	50	8.15
12B-2-34B	34	206.46	214.6	130	20	80	50	8.40
12B-2-35B	35	212.52	221.0	130	20	80	50	8.75
12B-2-36B	36	218.58	226.8	130	25	80	50	9.10
12B-2-37B	37	224.64	232.9	130	25	80	50	9.70
12B-2-38B	38	230.69	239.0	130	25	80	50	10.30
12B-2-39B	39	236.75	245.1	130	25	80	50	10.35
12B-2-40B	40	242.81	251.3	130	25	80	50	10.40

**Chain Size: 12B-3 (3/4" x 7/16")**  
**Spkt Width: 49.8mm (bf<sub>3</sub>)**

Part No.	Teeth	d <sub>o</sub> mm	d <sub>k</sub> mm	d <sub>n</sub> mm	d <sub>1</sub> mm	d <sub>2</sub> * mm	L mm	Weight kg
12B-3-8B	8	49.78	57.6	31	16	20	65	0.50
12B-3-9B	9	55.70	62.0	37	16	22	65	0.50
12B-3-10B	10	61.64	69.0	42	16	26	65	0.90
12B-3-11B	11	67.61	75.0	47	20	29	70	1.10
12B-3-12B	12	73.60	81.5	53	20	32	70	1.37
12B-3-13B	13	79.59	87.5	59	20	36	70	1.75
12B-3-14B	14	85.61	93.6	65	20	40	70	2.11
12B-3-15B	15	91.63	99.8	71	20	44	70	2.47
12B-3-16B	16	97.65	105.5	77	20	48	70	2.90
12B-3-17B	17	103.67	111.5	83	20	51	70	3.26
12B-3-18B	18	109.71	118.0	89	20	54	70	3.81
12B-3-19B	19	115.75	124.2	95	20	60	70	4.35
12B-3-20B	20	121.78	129.7	100	20	63	70	4.85
12B-3-21B	21	127.82	136.0	100	20	63	70	5.25
12B-3-22B	22	133.86	141.8	100	20	63	70	5.88
12B-3-23B	23	139.90	149.0	110	20	70	70	6.50
12B-3-24B	24	145.94	153.9	110	20	70	70	6.93
12B-3-25B	25	152.00	160.0	120	20	76	70	7.65
12B-3-26B	26	158.04	165.9	120	20	76	70	8.20
12B-3-27B	27	164.09	172.3	120	20	76	70	8.85
12B-3-28B	28	170.13	178.0	120	20	76	70	9.30
12B-3-29B	29	176.19	184.1	120	20	76	70	9.95
12B-3-30B	30	182.25	190.5	120	20	76	70	10.60
12B-3-31B	31	188.31	196.3	130	25	80	70	11.40
12B-3-32B	32	194.35	203.3	130	25	80	70	15.40
12B-3-33B	33	200.40	209.3	130	25	80	70	12.50
12B-3-34B	34	206.46	214.6	130	25	80	70	13.50
12B-3-35B	35	212.52	221.0	130	25	80	70	14.50
12B-3-36B	36	218.58	226.8	130	25	80	70	15.00
12B-3-37B	37	224.64	232.9	130	25	80	70	15.50
12B-3-38B	38	230.69	239.0	130	25	80	70	16.15
12B-3-39B	39	236.75	245.1	130	25	80	70	17.20
12B-3-40B	40	242.81	251.3	130	25	80	70	18.20

\*Note: Approximate max bore, consult PTI for larger sizes.

# Metric Sprockets



## ISO 12B Plate Type A DIN 8187/ISO R 606

**Chain Size: 12B-1 (3/4" x 7/16")**

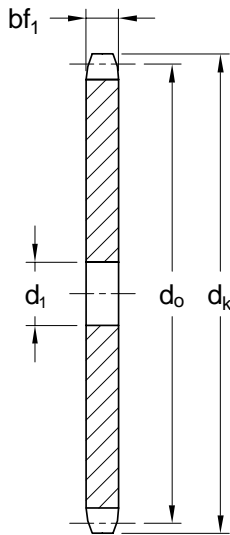
Pitch: 19.05 mm

Roller Width: 11.68 mm

Roller Dia.: 12.07 mm

Spkt. Width: 11.1 mm (bf<sub>1</sub>)

Material: Steel C 45



Part No.	Teeth	d <sub>o</sub> mm	d <sub>k</sub> mm	d <sub>1</sub> mm	Weight kg
12B-8A	8	49.8	57.6	12	0.15
12B-9A	9	55.7	62.0	12	0.15
12B-10A	10	61.6	69	12	0.20
12B-11A	11	67.6	75	14	0.24
12B-12A	12	73.6	82	14	0.29
12B-13A	13	79.6	88	14	0.35
12B-14A	14	85.6	94	14	0.41
12B-15A	15	91.6	100	14	0.47
12B-16A	16	97.6	105	14	0.54
12B-17A	17	103.7	112	14	0.62
12B-18A	18	109.7	118	14	0.70
12B-19A	19	115.7	124	14	0.78
12B-20A	20	121.8	130	14	0.87
12B-21A	21	127.8	136	16	0.95
12B-22A	22	133.9	142	16	1.05
12B-23A	23	139.9	149	16	1.15
12B-24A	24	145.9	154	16	1.26
12B-25A	25	152.0	160	16	1.37
12B-26A	26	158.0	166	16	1.50
12B-27A	27	164.1	173	16	1.64
12B-28A	28	170.1	179	16	1.78
12B-29A	29	176.2	184	16	1.88
12B-30A	30	182.3	191	16	1.99
12B-31A	31	188.3	196	20	2.12
12B-32A	32	194.4	204	20	2.26
12B-33A	33	200.4	209	20	2.38
12B-34A	34	206.5	215	20	2.56
12B-35A	35	212.5	221	20	2.70
12B-36A	36	218.6	227	20	2.84
12B-37A	37	224.6	233	20	3.38
12B-38A	38	230.7	239	20	3.21
12B-39A	39	236.7	245	20	3.40
12B-40A	40	242.8	252	20	3.58
12B-41A	41	248.8	257.5	25	3.72
12B-42A	42	254.9	264	25	3.93
12B-43A	43	261.0	270.5	25	3.98
12B-44A	44	267.0	276.5	25	4.40
12B-45A	45	273.1	283	25	4.60
12B-46A	46	279.2	288	25	4.93
12B-48A	48	291.3	301	25	5.13
12B-49A	49	297.3	306	25	5.40
12B-50A	50	303.4	313	25	5.64
12B-54A	54	327.6	337	25	6.62
12B-57A	57	345.8	355	25	7.56
12B-60A	60	364.0	373	25	8.20
12B-65A	65	394.3	404	25	9.60
12B-70A	70	424.6	434	30	11.25
12B-76A	76	461.0	471	30	13.08
12B-80A	80	485.2	494	30	15.19
12B-90A	90	545.8	555	30	18.89
12B-95A	95	576.2	585	30	21.12

Note: Double and triple sprockets including stainless steel available on request.

# Metric Sprockets



## Taper Bushed Type TL

ISO 16B, DIN 8187 - ISO/R 606

Single, Double, Triple

Standard and Hardened Teeth

Material: C45 E



Drawing Dimensions	Sprocket Sizes
	16B
h1	16.2
h2	47.7
h3	79.6
L	15.8

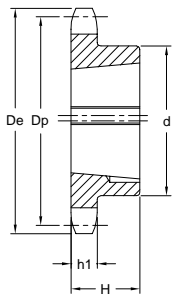
**Part No: 16B-21HTL-2517**

16B = Chain Size

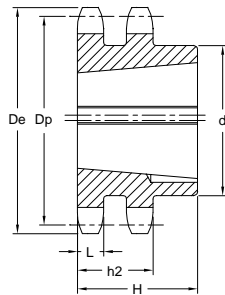
21 = Number of Teeth

H = Hardened Teeth

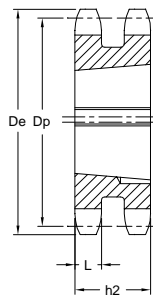
TL-2517 = TL Bushing Size



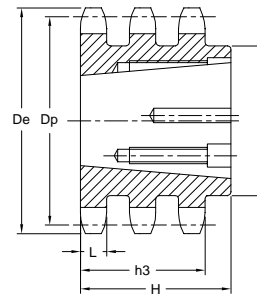
Type 1



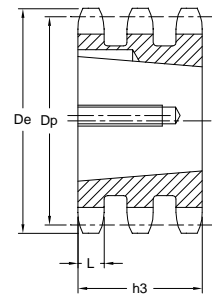
Type 2



Type 3



Type 4



Type 5

Dimensions in mm

Chain Size 1"x 17.02mm	Teeth	De	Dp	Single				Double				Triple			
				Part No.	Type	d	H	Part No.	Type	d	H	Part No.	Type	d	H
16B	13	117.0	106.12	16B-13TL-1610	1	73	25	16B-2-13TL-2012	3	—	47.7	—	—	—	—
	14	125.0	114.15	16B-14TL-1610	1	76	25	—	—	—	—	—	—	—	—
	15	133.0	122.17	16B-15HTL-1610	1	76	25	16B-2-15TL-2012	3	—	47.7	—	—	—	—
	16	141.0	130.20	16B-16TL-2012	1	90	32	—	—	—	—	—	—	—	—
	17	149.0	138.22	16B-17HTL-2012	1	90	32	16B-2-17TL-2012	3	—	47.7	16B-3-17TL-2517	5	—	79.6
	18	157.0	146.28	16B-18TL-2517	1	108	45	—	—	—	—	—	—	—	—
	19	165.2	154.33	16B-19HTL-2517	1	108	45	16B-2-19TL-2517	3	—	47.7	16B-3-19TL-3020	5	—	79.6
	20	173.2	162.38	16B-20TL-2517	1	108	45	—	—	—	—	—	—	—	—
	21	181.2	170.43	16B-21HTL-2517	1	110	45	16B-2-21TL-2517	2	140	51	16B-3-21TL-3030	5	—	79.6
	22	184.3	178.48	16B-22TL-2517	1	110	45	—	—	—	—	—	—	—	—
	23	197.5	186.53	16B-23HTL-2517	1	110	45	16B-2-23TL-3020	2	140	51	16B-3-23TL-3525	5	—	79.6
	24	205.5	194.59	16B-24TL-2517	1	110	45	—	—	—	—	—	—	—	—
	25	213.5	202.66	16B-25HTL-2517	1	110	45	16B-2-25TL-3020	2	140	51	16B-3-25TL-3525	5	—	79.6
	26	221.6	210.72	16B-26TL-2517	1	110	45	—	—	—	—	—	—	—	—
	27	229.6	218.79	16B-27HTL-2517	1	110	45	16B-2-27TL-3020	2	140	51	16B-3-27TL-3525	5	—	79.6
	28	237.7	226.85	16B-28TL-2517	1	110	45	—	—	—	—	—	—	—	—
	30	254.0	243.00	16B-30HTL-3020	1	140	51	16B-2-30TL-3020	2	140	51	16B-3-30TL-3525	5	—	79.6
	38	320.7	307.59	16B-38TL-3020	1	140	51	16B-2-38TL-3020	2	140	51	16B-3-38TL-3525	5	—	79.6
	45	377.1	364.13	16B-45TL-3020	1	140	51	16B-2-45TL-3020	2	140	51	16B-3-45TL-4030	4	216	79.6
	57	474.0	461.07	16B-57TL-3020	1	140	51	16B-2-57TL-3525	2	175	65	16B-3-57TL-4030	4	216	79.6
76	627.0	614.65	16B-76TL-3020	1	140	51	16B-2-76TL-3525	2	175	65	16B-3-76TL-4030	4	216	79.6	
95	781.1	768.22	16B-95TL-3020	1	140	51	16B-2-95TL-3525	2	215	65	16B-3-95TL-4030	4	240	79.6	
114	943.3	921.81	16B-114TL-3030	1	140	76	16B-2-114TL-4040	2	215	102	—	—	—	—	

Note: Shaded items with "H" in Part No. indicates Hardened Teeth.



# Metric Sprockets

## Standard, Hardened Teeth and Stainless Steel

### ISO 16B Hub Type B

Din 8187/ISO R 606

Chain Size: 16B-1 (1" x 17.02 mm)  
 Pitch: 25.4 mm  
 Roller Width: 17.02 mm  
 Roller Dia.: 15.88 mm  
 Spkt. Width: 16.2 mm (bf<sub>1</sub>)  
 Material: Standard Steel C45  
 Material: Stainless Steel 304L



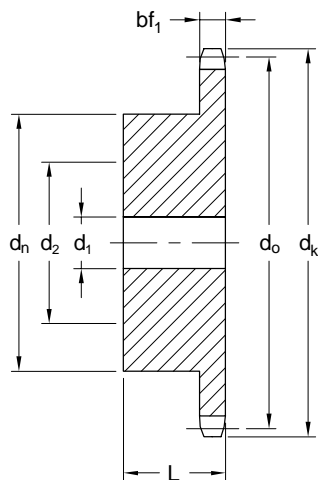
Standard



Hardened Teeth



Stainless Steel



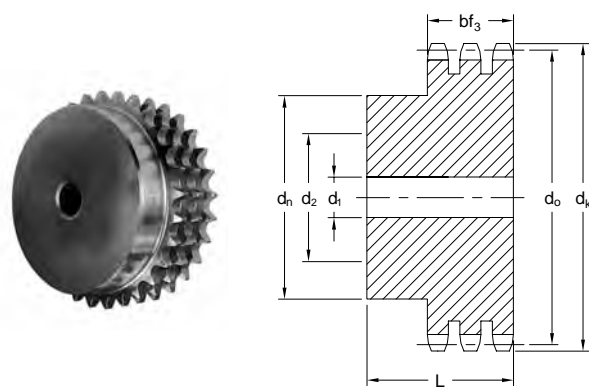
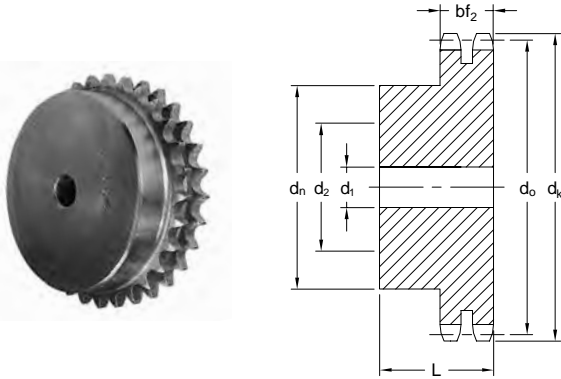
Part No. Standard	Part No. Hardened Teeth	Part No. Stainless Steel	Teeth	d <sub>o</sub> mm	d <sub>k</sub> mm	d <sub>n</sub> mm	d <sub>1</sub> mm	d <sub>2</sub> mm	L mm	Wt. kg
16B-8B	—	—	8	66.37	77.0	42	16	26	35	0.50
16B-9B	—	—	9	74.27	85.0	50	16	31	35	0.70
16B-10B	—	—	10	82.19	93.0	55	16	35	35	0.85
16B-11B	—	—	11	90.14	99.5	61	16	40	40	1.16
16B-12B	16B-12BH	16B-12BSS	12	98.14	109.0	69	16	43	40	1.50
16B-13B	16B-13BH	16B-13BSS	13	106.12	117.0	78	16	49	40	1.81
16B-14B	16B-14BH	16B-14BSS	14	114.15	125.0	84	16	52	40	2.10
16B-15B	16B-15BH	16B-15BSS	15	122.17	133.0	92	16	58	40	2.53
16B-16B	16B-16BH	16B-16BSS	16	130.20	141.0	100	20	63	45	3.20
16B-17B	16B-17BH	16B-17BSS	17	138.22	149.0	100	20	63	45	3.42
16B-18B	16B-18BH	16B-18BSS	18	146.28	157.0	100	20	63	45	3.62
16B-19B	16B-19BH	16B-19BSS	19	154.33	165.2	100	20	63	45	3.80
16B-20B	16B-20BH	16B-20BSS	20	162.38	173.2	100	20	63	45	4.15
16B-21B	16B-21BH	16B-21BSS	21	170.43	181.2	110	20	70	50	5.10
16B-22B	16B-22BH	16B-22BSS	22	178.48	189.3	110	20	70	50	5.40
16B-23B	16B-23BH	16B-23BSS	23	186.53	197.5	110	20	70	50	5.65
16B-24B	16B-24BH	16B-24BSS	24	194.59	205.5	110	20	70	50	5.90
16B-25B	16B-25BH	16B-25BSS	25	202.66	213.5	110	20	70	50	6.30
16B-26B	—	—	26	210.72	221.6	120	20	76	50	7.00
16B-27B	—	—	27	218.79	229.6	120	20	76	50	7.35
16B-28B	—	—	28	226.85	237.7	120	20	76	50	7.70
16B-29B	—	—	29	234.92	245.8	120	20	76	50	8.10
16B-30B	16B-30BH	16B-30BSS	30	243.00	254.0	120	25	76	50	8.40
16B-31B	—	—	31	251.08	262.0	120	25	76	50	9.50
16B-32B	—	—	32	259.13	270.0	120	25	76	50	9.09
16B-33B	—	—	33	267.21	278.5	120	25	76	50	9.50
16B-34B	—	—	34	275.28	287.0	120	25	76	50	11.40
16B-35B	—	—	35	283.36	296.2	120	25	76	50	11.80
16B-36B	—	—	36	291.44	304.6	120	25	76	50	12.10
16B-37B	—	—	37	299.51	312.6	120	25	76	50	12.40
16B-38B	—	—	38	307.59	320.7	120	25	76	50	13.15
16B-39B	—	—	39	315.67	328.8	120	25	76	50	13.80
16B-40B	—	—	40	323.73	336.9	120	25	76	50	14.05

**Note:** All sizes can be Induction Hardened. Finish Bore and Keyway available on request. Other Stainless sizes available on request.

# Metric Sprockets



## ISO 16B-2 and 16B-3 Hub Type B



**Chain Size: 16B-2 (1" x 17.02mm)**  
**Spkt Width: 47.7mm (bf<sub>2</sub>)**

**Chain Size: 16B-3 (1" x 17.02mm)**  
**Spkt Width: 79.6mm (bf<sub>3</sub>)**

Part No.	Teeth	d <sub>o</sub> mm	d <sub>k</sub> mm	d <sub>n</sub> mm	d <sub>1</sub> mm	d <sub>2</sub> * mm	L mm	Weight kg
16B-2-8B	8	66.37	77.0	42	16	26	65	0.90
16B-2-9B	9	74.27	85.0	50	16	31	65	1.20
16B-2-10B	10	82.19	93.0	56	16	35	65	1.63
16B-2-11B	11	90.14	99.5	64	20	40	70	2.10
16B-2-12B	12	98.14	109.0	72	20	45	70	2.68
16B-2-13B	13	106.12	117.0	80	20	50	70	3.20
16B-2-14B	14	114.15	125.0	88	20	53	70	3.89
16B-2-15B	15	122.17	133.0	96	20	61	70	4.50
16B-2-16B	16	130.20	141.0	104	20	65	70	5.30
16B-2-17B	17	138.22	149.0	112	20	72	70	5.80
16B-2-18B	18	146.28	157.0	120	20	76	70	6.75
16B-2-19B	19	154.33	165.2	128	20	78	70	8.00
16B-2-20B	20	162.38	173.2	130	20	80	70	8.50
16B-2-21B	21	170.43	181.2	130	25	80	70	9.50
16B-2-22B	22	178.48	189.3	130	25	80	70	9.80
16B-2-23B	23	186.53	197.5	130	25	80	70	10.05
16B-2-24B	24	194.59	205.5	130	25	80	70	11.50
16B-2-25B	25	202.66	213.5	130	25	80	70	11.70
16B-2-26B	26	210.72	221.6	130	25	80	70	11.90
16B-2-27B	27	218.79	229.6	130	25	80	70	12.15
16B-2-28B	28	226.85	237.7	130	25	80	70	12.30
16B-2-29B	29	234.92	245.8	130	25	80	70	16.50
16B-2-30B	30	243.00	254.0	130	25	80	70	17.50
16B-2-31B	31	251.08	262.0	140	25	85	70	19.00
16B-2-32B	32	259.13	270.0	140	25	85	70	20.00
16B-2-33B	33	267.21	278.5	140	25	85	70	21.00
16B-2-34B	34	275.28	287.0	140	25	85	70	23.00
16B-2-35B	35	283.36	296.2	140	25	85	70	24.50
16B-2-36B	36	291.44	304.6	140	25	85	70	25.00
16B-2-37B	37	299.51	312.6	140	25	85	70	26.60
16B-2-38B	38	307.59	320.7	140	25	85	70	27.50
16B-2-39B	39	315.67	328.8	140	25	85	70	30.00
16B-2-40B	40	323.73	366.9	140	25	85	70	30.70

Part No.	Teeth	d <sub>o</sub> mm	d <sub>k</sub> mm	d <sub>n</sub> mm	d <sub>1</sub> mm	d <sub>2</sub> * mm	L mm	Weight kg
16B-3-8B	8	66.37	77.0	42	20	26	95	1.50
16B-3-9B	9	74.27	85.0	50	20	31	95	1.85
16B-3-10B	10	82.19	93.0	56	20	35	95	2.20
16B-3-11B	11	90.14	99.5	64	25	40	100	2.80
16B-3-12B	12	98.14	109.0	72	25	46	100	3.15
16B-3-13B	13	106.12	117.0	80	25	50	100	4.50
16B-3-14B	14	114.15	125.0	88	25	53	100	5.40
16B-3-15B	15	122.17	133.0	96	25	60	100	6.45
16B-3-16B	16	130.20	141.0	104	30	65	100	7.40
16B-3-17B	17	138.22	149.0	112	30	70	100	8.50
16B-3-18B	18	146.28	157.0	120	30	76	100	9.65
16B-3-19B	19	154.33	165.2	128	30	78	100	11.00
16B-3-20B	20	162.38	173.2	130	30	80	100	11.55
16B-3-21B	21	170.43	181.2	130	30	80	100	12.15
16B-3-22B	22	178.48	189.3	130	30	80	100	12.70
16B-3-23B	23	186.53	197.5	130	30	80	100	13.20
16B-3-24B	24	194.59	205.5	130	30	80	100	13.70
16B-3-25B	25	202.66	213.5	130	30	80	100	17.40
16B-3-26B	26	210.72	221.6	130	30	80	100	20.00
16B-3-27B	27	218.79	229.6	130	30	80	100	21.60
16B-3-28B	28	226.85	237.7	130	30	80	100	23.80
16B-3-29B	29	234.92	245.8	130	30	80	100	25.00
16B-3-30B	30	243.00	254.0	130	30	80	100	28.00
16B-3-31B	31	251.08	262.0	140	30	85	100	30.00
16B-3-32B	32	259.13	270.0	140	30	85	100	31.00
16B-3-33B	33	267.21	278.5	140	30	85	100	32.00
16B-3-34B	34	275.28	287.0	140	30	85	100	35.00
16B-3-35B	35	283.36	296.2	140	30	85	100	38.00
16B-3-36B	36	291.44	304.6	140	30	85	100	39.00
16B-3-37B	37	299.51	312.6	140	30	85	100	21.95
16B-3-38B	38	307.59	320.7	140	30	85	100	43.80
16B-3-39B	39	315.67	328.8	140	30	85	100	47.00
16B-3-40B	40	323.73	366.9	140	30	85	100	48.82

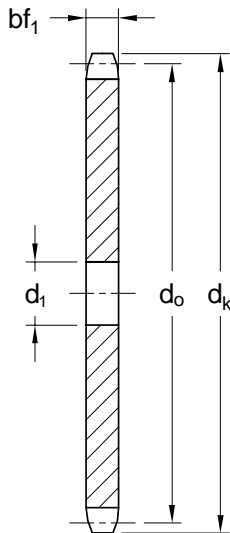
\*Note: Approximate max bore, consult PTI for larger sizes.

# Metric Sprockets



## ISO 16B Plate Type A DIN 8187/ISO R 606

**Chain Size: 16B-1**  
**(1" x 17.02 mm)**  
Pitch: 25.4 mm  
Roller Width: 17.02 mm  
Roller Dia.: 15.88 mm  
Spkt. Width: 16.2 mm (bf<sub>1</sub>)  
Material: Steel C 45



Note: Double and triple sprockets including stainless steel available on request.

Part No.	Teeth	d <sub>o</sub> mm	d <sub>k</sub> mm	d <sub>1</sub> mm	Weight kg
16B-8A	8	66.4	77.0	12	0.40
16B-9A	9	74.3	85.0	12	0.50
16B-10A	10	82.2	93	12	0.53
16B-11A	11	90.1	100	16	0.65
16B-12A	12	98.1	109	16	0.78
16B-13A	13	106.1	117	16	0.91
16B-14A	14	114.1	125	16	1.06
16B-15A	15	122.2	133	16	1.23
16B-16A	16	130.2	141	20	1.40
16B-17A	17	138.2	149	20	1.60
16B-18A	18	146.3	157	20	1.80
16B-19A	19	154.3	165	20	2.00
16B-20A	20	162.4	173	20	2.25
16B-21A	21	170.4	181	20	2.50
16B-22A	22	178.5	189	20	2.75
16B-23A	23	186.5	198	20	3.02
16B-24A	24	194.6	206	20	3.30
16B-25A	25	202.7	214	20	3.59
16B-26A	26	210.7	222	20	3.82
16B-27A	27	218.8	230	20	4.17
16B-28A	28	226.8	238	20	4.46
16B-29A	29	234.9	246	20	4.82
16B-30A	30	243.0	254	20	5.20
16B-31A	31	251.1	262	25	5.75
16B-32A	32	259.1	270	25	6.00
16B-33A	33	267.2	279	25	6.40
16B-34A	34	275.3	287	25	6.80
16B-35A	35	283.4	296	25	7.10
16B-36A	36	291.4	305	25	7.50
16B-37A	37	299.5	313	25	7.90
16B-38A	38	307.6	321	25	8.30
16B-39A	39	315.6	329	25	8.65
16B-40A	40	323.7	337	25	9.45
16B-41A	41	331.8	345	25	9.92
16B-42A	42	339.9	353	25	10.44
16B-43A	43	348.0	361	25	10.95
16B-44A	44	356.1	369	25	11.35
16B-45A	45	364.1	377	25	11.82
16B-46A	46	372.2	385	25	12.24
16B-47A	47	380.3	393	25	12.98
16B-48A	48	388.4	401	25	13.58
16B-49A	49	396.4	409	25	14.10
16B-50A	50	404.5	418	25	14.70
16B-54A	54	436.9	448	30	16.70
16B-57A	57	461.1	474	30	18.90
16B-60A	60	485.3	498	30	21.10
16B-65A	65	525.7	539	30	24.70
16B-70A	70	566.1	579	30	28.50
16B-76A	76	614.6	627	30	33.60
16B-80A	80	646.9	660	30	36.90
16B-90A	90	727.8	740	30	39.81
16B-95A	95	768.2	781	30	42.40

# Metric Sprockets



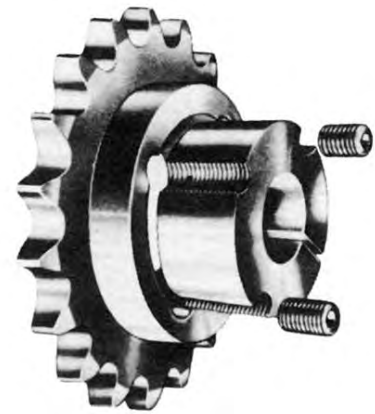
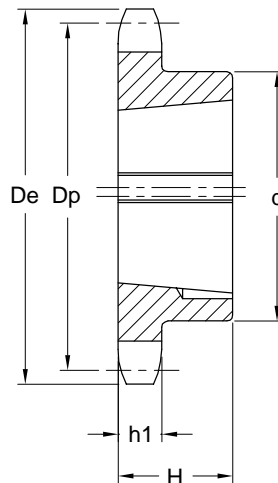
## Taper Bushed Type TL

ISO 20B, DIN 8187 - ISO/R 60

Standard and Hardened Teeth

Material: C45 E

Drawing Dimensions	Sprocket Sizes
	20B
h <sub>1</sub>	18.5
h <sub>2</sub>	54.6
h <sub>3</sub>	91



Type 1

Part No: 20B-17HTL-2517

20B = Chain Size

17 = Number of Teeth

H = Hardened Teeth

TL-2517 = TL Bushing Size

Dimensions in mm

Chain Size 1-1/4" x 3/4"	Teeth	D <sub>e</sub>	D <sub>p</sub>	Single				Wt. kg
				Part No.	Type	d	H	
20B	13	147.8	132.65	20B-13TL-2012	1	90	32	1.4
	14	157.8	142.68	20B-14TL-2012	1	90	32	1.9
	15	167.9	152.72	20B-15HTL-2517	1	108	45	2.5
	16	177.9	162.75	20B-16TL-2517	1	108	45	2.8
	17	187.9	172.78	20B-17HTL-2517	1	108	45	3.3
	18	198.0	182.85	20B-18TL-2517	1	108	45	3.5
	19	208.1	192.91	20B-19HTL-2517	1	108	45	4.0
	20	218.1	202.98	20B-20TL-2517	1	108	45	4.3
	21	228.2	213.04	20B-21HTL-2517	1	108	45	5.0
	22	238.3	223.11	20B-22TL-2517	1	108	45	5.5
	23	248.3	233.17	20B-23HTL-2517	1	108	45	6.0
	24	258.4	243.23	20B-24TL-2517	1	108	45	6.5
	25	268.5	253.33	20B-25HTL-2517	1	108	45	7.2
	27	288.6	273.40	20B-27TL-3020	1	150	51	9.0
	30	318.9	303.75	20B-30TL-3020	1	150	51	11.0
	38	399.6	384.49	20B-38TL-3020	1	160	51	17.5
	45	470.3	455.17	20B-45TL-3020	1	160	51	24.5
	57	591.5	576.36	20B-57TL-3020	1	160	51	38.0
76	783.5	768.32	20B-76TL-3020	1	160	51	67.0	

Note: Shaded items with "H" in Part No. indicates Hardened Teeth.



# Metric Sprockets



## ISO 20B Hub Type B

### DIN 8187/ISO R 606

**Chain Size: 20B-1 (1-1/4" x 3/4")**

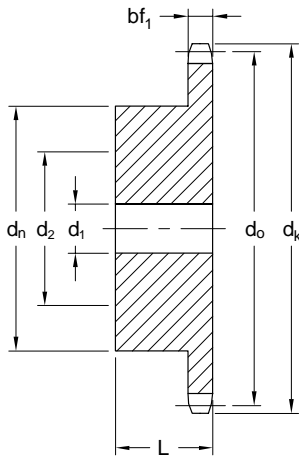
Pitch: 31.75 mm

Roller Width: 19.56 mm

Roller Dia.: 19.05 mm

Spkt. Width: 18.5 mm (bf<sub>1</sub>)

Material: Steel C45



Part No.	Teeth	d <sub>o</sub> mm	d <sub>k</sub> mm	d <sub>n</sub> mm	d <sub>1</sub> mm	d <sub>2</sub> mm	L mm	Wt. kg
20B-8B	8	82.96	98.1	53	20	25	40	0.95
20B-9B	9	92.84	108.0	63	20	35	40	1.20
20B-10B	10	102.7	118	70	20	40	40	1.60
20B-11B	11	112.6	127.8	77	20	47	45	2.15
20B-12B	12	122.7	138	88	20	54	45	2.73
20B-13B	13	132.7	148	98	20	61	45	3.30
20B-14B	14	142.7	158	108	20	68	45	3.90
20B-15B	15	152.7	168	118	20	75	45	4.65
20B-16B	16	162.7	178	120	25	75	50	5.40
20B-17B	17	172.8	188	120	25	75	50	5.80
20B-18B	18	182.8	198	120	25	75	50	6.20
20B-19B	19	192.9	208	120	25	75	50	6.60
20B-20B	20	202.9	218	120	25	75	50	7.05
20B-21B	21	213.0	228	140	25	90	55	9.10
20B-22B	22	223.1	238	140	25	90	55	9.40
20B-23B	23	233.2	248	140	25	90	55	10.0
20B-24B	24	243.2	258	140	25	90	55	10.1
20B-25B	25	253.3	268	140	25	90	55	10.2
20B-26B	26	263.4	279	150*	25	100	55	10.3
20B-27B	27	273.5	289	150*	25	100	55	10.4
20B-28B	28	283.6	299	150*	25	100	55	10.5
20B-29B	29	293.7	309	150*	25	100	55	11.0
20B-30B	30	303.8	319	150*	25	100	55	12.0
20B-31B	31	313.9	329	150*	25	100	55	13.5
20B-32B	32	323.9	339	150*	25	100	55	14.0
20B-33B	33	334.0	349	150*	25	100	55	15.5
20B-34B	34	344.1	359	150*	25	100	55	16.8
20B-35B	35	354.2	369	150*	25	100	55	16.9
20B-36B	36	364.3	379	150*	25	100	55	17.0
20B-37B	37	374.4	389	150*	25	100	55	18.5
20B-38B	38	384.5	400	150*	25	100	55	19.3
20B-39B	39	394.6	410	150*	25	100	55	20.0
20B-40B	40	404.7	420	150*	25	100	55	20.2

Note: \* Fabricated with welded hub.

# Metric Sprockets



## ISO 20B-2, 20B-3 Hub Type B

DIN 8187/ISO R 606

Chain Size: 20B-2 (1-1/4" x 3/4")

Pitch: 31.75 mm (1-1/4")

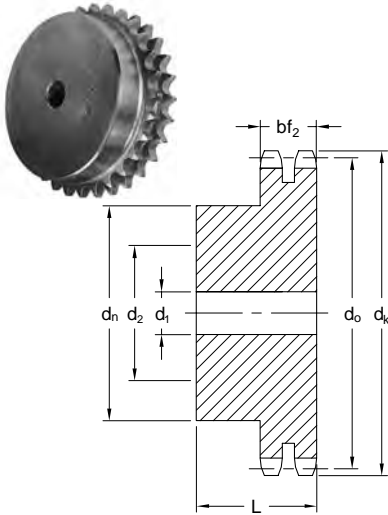
Roller Width: 19.56 mm

Roller Dia.: 19.05 mm

Material: Steel C45

### Chain Size: 20B-2

Spkt. Width: 54.6 mm (bf<sub>2</sub>)

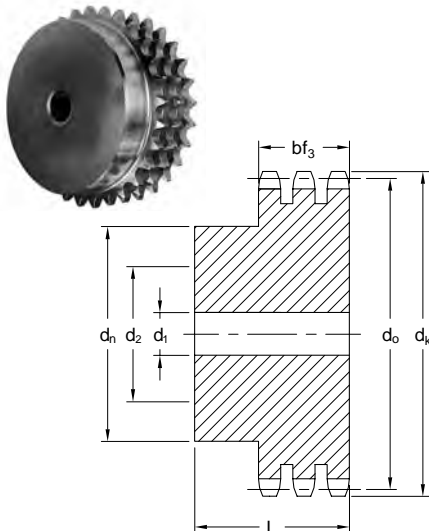


Part No.	Teeth	d <sub>o</sub> mm	d <sub>k</sub> mm	d <sub>n</sub> mm	d <sub>1</sub> mm	d <sub>2</sub> mm	L mm	Wt. kg
20B-2-10B	10	102.7	118	70	20	40	75	2.8
20B-2-11B	11	112.6	127.8	77	20	47	80	3.9
20B-2-12B	12	122.7	138	88	20	54	80	5.0
20B-2-13B	13	132.7	148	98	20	61	80	6.3
20B-2-14B	14	142.7	158	108	20	68	80	7.2
20B-2-15B	15	152.7	168	118	20	75	80	8.2
20B-2-16B	16	162.7	178	120	25	75	80	9.0
20B-2-17B	17	172.8	188	120	25	75	80	10.0
20B-2-18B	18	182.8	198	120	25	75	80	11.2
20B-2-19B	19	192.9	208	120	25	75	80	12.6
20B-2-20B	20	202.9	218	120	25	75	80	14.2

Larger sizes with welded hub on request.

### Chain Size: 20B-3

Spkt. Width: 91 mm (bf<sub>3</sub>)



Part No.	Teeth	d <sub>o</sub> mm	d <sub>k</sub> mm	d <sub>n</sub> mm	d <sub>1</sub> mm	d <sub>2</sub> mm	L mm	Wt. kg
20B-3-10B	10	102.7	118	70	20	40	110	4.6
20B-3-11B	11	112.6	127.8	77	20	47	115	6.0
20B-3-12B	12	122.7	138	88	20	54	115	7.4
20B-3-13B	13	132.7	148	98	20	61	115	8.9
20B-3-14B	14	142.7	158	108	20	68	115	10.5
20B-3-15B	15	152.7	168	118	20	75	115	12.4
20B-3-16B	16	162.7	178	120	25	75	115	13.9
20B-3-17B	17	172.8	188	120	25	75	115	15.1
20B-3-18B	18	182.8	198	120	25	75	115	16.8
20B-3-19B	19	192.9	208	120	25	75	115	19.1
20B-3-20B	20	202.9	218	120	25	75	115	22.4

Larger sizes with welded hub on request.

# Metric Sprockets



## ISO 20B Plate Type A DIN 8187/ISO R 606

**Chain Size: 20B-1 (1-1/4" x 3/4")**

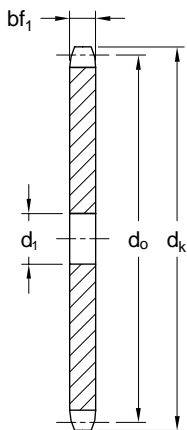
Pitch: 31.75 mm

Roller Width: 19.56 mm

Roller Dia.: 19.05 mm

Spkt. Width: 18.5 mm (bf<sub>1</sub>)

Material: Steel C45



Part No.	Teeth	d <sub>o</sub> mm	d <sub>k</sub> mm	d <sub>1</sub> mm	Wt. kg
20B-8A	8	82.96	98.1	16	1.0
20B-9A	9	92.8	108.0	16	1.1
20B-10A	10	102.7	117.9	16	1.2
20B-11A	11	112.7	127.8	20	1.3
20B-12A	12	122.7	138	20	1.50
20B-13A	13	132.7	148	20	1.72
20B-14A	14	142.7	158	20	2.00
20B-15A	15	152.7	168	20	2.32
20B-16A	16	162.7	178	25	2.65
20B-17A	17	172.8	188	25	2.97
20B-18A	18	182.8	198	25	3.50
20B-19A	19	192.9	208	25	3.73
20B-20A	20	203.0	218	25	4.10
20B-21A	21	213.0	228	25	4.60
20B-22A	22	223.1	238	25	5.00
20B-23A	23	233.2	248	25	5.60
20B-24A	24	243.2	258	25	6.10
20B-25A	25	253.3	269	25	6.65
20B-27A	27	273.5	289	25	7.80
20B-30A	30	303.8	319	25	9.65
20B-32A	32	323.9	339	25	11.00
20B-35A	35	354.2	369	25	13.18
20B-38A	38	384.5	400	25	15.46
20B-40A	40	404.7	420	25	17.20
20B-45A	45	455.2	470	30	21.70
20B-48A	48	485.5	501	30	25.00
20B-57A	57	576.4	592	30	34.50
20B-65A	65	657.2	672	30	50.40
20B-76A	76	768.2	784	30	62.90

Part No.	Teeth	d <sub>o</sub> mm	d <sub>k</sub> mm	d <sub>1</sub> mm	Wt. kg
24B-8A	8	99.6	115.0	20	2.2
24B-9A	9	111.4	126.4	20	2.4
24B-10A	10	123.3	138.0	20	2.5
24B-11A	11	135.2	150.0	25	2.7
24B-12A	12	147.2	162	20	2.80
24B-13A	13	159.2	174	20	3.10
24B-14A	14	171.2	186	20	3.60
24B-15A	15	183.3	199	20	4.10
24B-16A	16	195.3	211	25	4.70
24B-17A	17	207.3	222	25	5.30
24B-18A	18	219.4	234	25	6.00
24B-19A	19	231.5	246.5	25	6.70
24B-20A	20	243.5	259	25	7.50
24B-21A	21	255.6	271	25	8.30
24B-22A	22	267.7	283	25	9.20
24B-23A	23	279.8	295	25	10.00
24B-24A	24	291.9	307	25	11.10
24B-25A	25	304.0	319	25	11.80
24B-27A	27	328.2	343	30	14.20
24B-30A	30	364.5	380	30	17.00
24B-32A	32	388.6	404	30	18.00
24B-35A	35	425.0	440	30	20.00
24B-38A	38	461.4	477	30	27.60
24B-40A	40	485.6	501	30	29.00
24B-45A	45	546.2	562	30	39.10
24B-48A	48	582.5	597	30	41.20
24B-56A	56	679.5	694	30	60.00
24B-57A	57	691.6	706	30	62.00
24B-76A	76	921.9	937	40	95.00

## ISO 24B Plate Type A DIN 8187/ISO R 606

**Chain Size: 24B-1 (1-1/2" x 1")**

Pitch: 38.1 mm

Roller Width: 25.4 mm

Roller Dia.: 25.4 mm

Spkt. Width: 24.1 mm (bf<sub>1</sub>)

Material: Steel C45

Note:

Double and triple sprockets including stainless steel available on request. Larger sizes also available.

# Metric Sprockets



## ISO 24B Hub Type B

DIN 8187/ISO R 606

Chain Size: **24B-1 (1-1/2" x 1")**

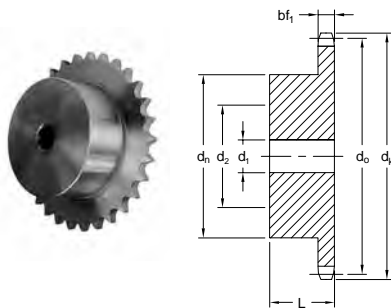
Pitch: 38.1 mm

Roller Width: 25.4 mm

Roller Dia.: 25.4 mm

Spkt. Width: 24.1 mm (bf<sub>1</sub>)

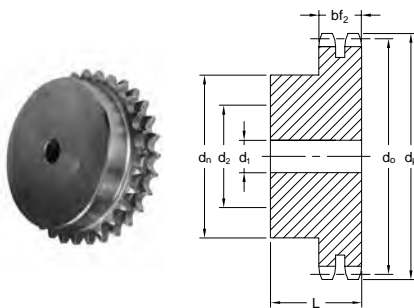
Material: Steel C45



Part No.	Teeth	d <sub>o</sub> mm	d <sub>k</sub> mm	d <sub>n</sub> mm	d <sub>1</sub> mm	d <sub>2</sub> mm	L mm	Weight kg
24B-10B	10	123.3	138	80	20	50	45	3.90
24B-11B	11	135.2	150	90	25	57	50	4.05
24B-12B	12	147.2	162	102	25	62	50	4.30
24B-13B	13	159.2	174	114	25	70	50	5.10
24B-14B	14	171.2	186	128	25	80	50	6.27
24B-15B	15	183.3	198	140	25	90	50	7.15
24B-16B	16	195.3	211	140	25	90	55	8.78
24B-17B	17	207.3	222	140	25	90	55	9.25
24B-18B	18	219.4	234	140	25	90	55	10.16
24B-19B	19	231.5	247	140	25	90	55	10.60
24B-20B	20	243.5	259	140	25	90	55	11.28
24B-21B	21	255.6	271	150	25	95	60	13.32
24B-22B	22	267.7	283	150	25	95	60	14.30
24B-23B	23	279.8	295	150	25	95	60	15.10
24B-24B	24	291.9	307	150	25	95	60	16.00
24B-25B	25	304.0	320	150	25	95	60	16.95

Chain Size: **24B-2**

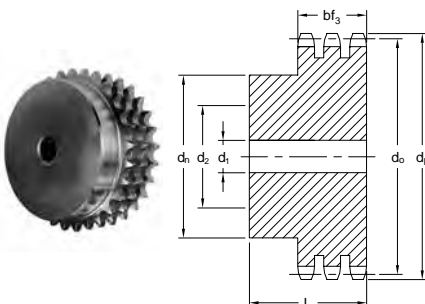
Spkt. Width: 72 mm (bf<sub>2</sub>)



Part No.	Teeth	d <sub>o</sub> mm	d <sub>k</sub> mm	d <sub>n</sub> mm	d <sub>1</sub> mm	d <sub>2</sub> mm	L mm	Weight kg
24B-2-10B	10	123.3	138	80	20	50	95	5.4
24B-2-11B	11	135.2	150	90	25	57	100	6.7
24B-2-12B	12	147.2	162	102	25	62	100	8.5
24B-2-13B	13	159.2	174	114	25	70	100	10.1
24B-2-14B	14	171.2	186	128	25	80	100	12.4
24B-2-15B	15	183.3	198	140	25	90	100	14.8
24B-2-16B	16	195.3	211	140	25	90	100	17.0
24B-2-17B	17	207.3	222	140	25	90	100	19.0
24B-2-18B	18	219.4	234	140	25	90	100	21.0
24B-2-19B	19	231.5	247	140	25	90	100	24.0
24B-2-20B	20	243.5	259	140	25	90	100	28.0

Chain Size: **24B-3**

Spkt. Width: 120.3 mm (bf<sub>3</sub>)



Part No.	Teeth	d <sub>o</sub> mm	d <sub>k</sub> mm	d <sub>n</sub> mm	d <sub>1</sub> mm	d <sub>2</sub> mm	L mm	Weight kg
24B-3-10B	10	123.3	138	80	20	50	140	8.0
24B-3-11B	11	135.2	150	90	25	57	150	9.5
24B-3-12B	12	147.2	162	102	25	62	150	12.6
24B-3-13B	13	159.2	174	114	25	70	150	15.8
24B-3-14B	14	171.2	186	128	25	80	150	18.8
24B-3-15B	15	183.3	198	140	25	90	150	21.9
24B-3-16B	16	195.3	211	140	25	90	150	24.9
24B-3-17B	17	207.3	222	140	25	90	150	28.9
24B-3-18B	18	219.4	234	140	25	90	150	33.4
24B-3-19B	19	231.5	247	140	25	90	150	37.5
24B-3-20B	20	243.5	259	140	25	90	150	41.8

Larger sizes on request.

# Metric Sprockets



## ISO 28B Hub Type B

### DIN 8187/ISO R 606

**Chain Size: 28B-1 (1-3/4" x 1-1/4")**

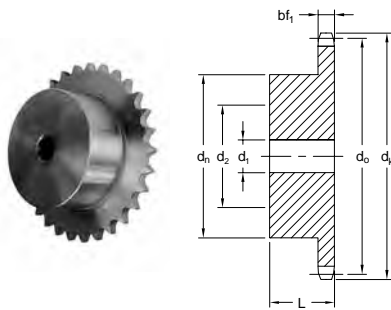
Pitch: 44.45 mm (1-3/4")

Roller Width: 30.99 mm

Roller Dia.: 27.94 mm

Spkt. Width: 28.0 mm (bf<sub>1</sub>)

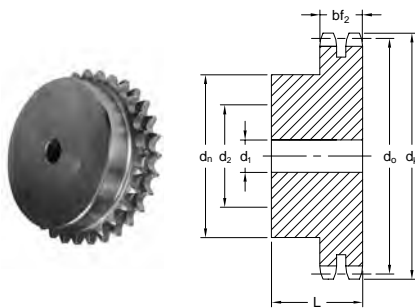
Material: Steel C45



Part No.	Teeth	d <sub>o</sub> mm	d <sub>k</sub> mm	d <sub>n</sub> mm	d <sub>1</sub> mm	d <sub>2</sub> mm	L mm	Wt. kg
28B-8B	8	116.2	132	74	25	45	70	1.9
28B-9B	9	129.9	148	88	25	55	70	2.1
28B-10B	10	143.9	162	100	25	60	70	5.5
28B-11B	11	157.8	176	112	25	70	70	7.0
28B-12B	12	171.7	186	125	25	90	70	8.0
28B-13B	13	185.8	204	130*	25	90	70	9.1
28B-14B	14	199.8	218	130*	25	90	70	10.35
28B-15B	15	213.8	232	145*	25	90	70	12.0
28B-16B	16	227.8	246	160*	30	100	75	7.5
28B-17B	17	241.9	260	160*	30	100	75	11.5
28B-18B	18	255.9	274	160*	30	100	75	17.5
28B-19B	19	270.0	289	160*	30	100	75	14.01
28B-20B	20	284.1	303	160*	30	100	75	20.0

**Chain Size: 28B-2**

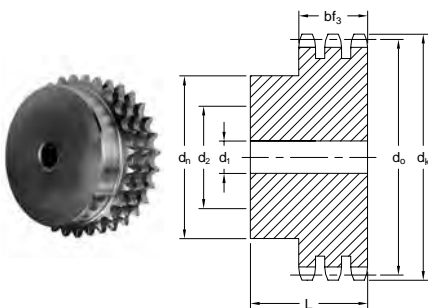
Spkt. Width: 87.5 mm (bf<sub>2</sub>)



Part No.	Teeth	d <sub>o</sub> mm	d <sub>k</sub> mm	d <sub>n</sub> mm	d <sub>1</sub> mm	d <sub>2</sub> mm	L mm	Wt. kg
28B-2-8B	8	116.2	132	74	25	45	120	5.0
28B-2-9B	9	129.9	148	88	25	55	120	7.0
28B-2-10B	10	143.9	162	100	25	60	120	9.5
28B-2-11B	11	157.8	176	112	25	70	120	12.5
28B-2-12B	12	171.7	186	125	25	90	120	14.65
28B-2-13B	13	185.8	204	130*	25	90	120	16.9
28B-2-14B	14	199.8	218	130*	25	90	120	16.95
28B-2-15B	15	213.8	232	145*	25	90	120	17.0
28B-2-16B	16	227.8	246	160*	30	100	120	17.15
28B-2-17B	17	241.9	260	160*	30	100	120	17.35
28B-2-18B	18	255.9	274	160*	30	100	120	17.50
28B-2-19B	19	270.0	289	180*	30	100	120	19.25
28B-2-20B	20	284.1	303	180*	30	100	120	42.6

**Chain Size: 28B-3**

Spkt. Width: 147.0 mm (bf<sub>3</sub>)



Part No.	Teeth	d <sub>o</sub> mm	d <sub>k</sub> mm	d <sub>n</sub> mm	d <sub>1</sub> mm	d <sub>2</sub> mm	L mm	Wt. kg
28B-3-8B	8	116.2	132	74	25	45	180	9.0
28B-3-9B	9	129.9	148	88	25	55	180	11.0
28B-3-10B	10	143.9	162	100	25	60	180	14.0
28B-3-11B	11	157.8	176	112	25	70	180	17.0
28B-3-12B	12	171.7	186	125	25	90	180	20.0
28B-3-13B	13	185.8	204	130*	25	90	180	25.3
28B-3-14B	14	199.8	218	130*	25	90	180	30.0
28B-3-15B	15	213.8	232	145*	25	90	180	35.0
28B-3-16B	16	227.8	246	160*	30	100	180	40.5
28B-3-17B	17	241.9	260	160*	30	100	180	46.0
28B-3-18B	18	255.9	274	160*	30	100	180	53.0
28B-3-19B	19	270.0	289	160*	30	100	180	59.0
28B-3-20B	20	284.1	303	160*	30	100	180	62.0

Note: \* Fabricated with welded hub.

# Metric Sprockets



## ISO 32B Hub Type B

DIN 8187/ISO R 606

Chain Size: **32B-1 (2" x 1-1/4")**

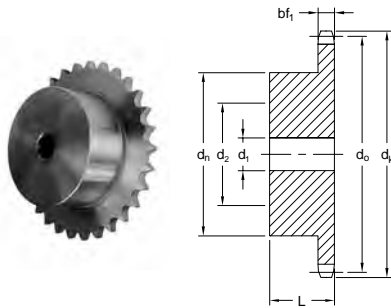
Pitch: 50.8 mm (2")

Roller Width: 30.99 mm

Roller Dia.: 29.21 mm

Spkt. Width: 29.4 mm (bf<sub>1</sub>)

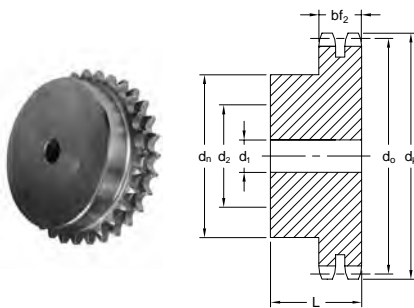
Material: Steel C45



Part No.	Teeth	d <sub>o</sub> mm	d <sub>k</sub> mm	d <sub>n</sub> mm	d <sub>1</sub> mm	d <sub>2</sub> mm	L mm	Wt. kg
32B-8B	8	132.7	153	82	25	50	80	6.00
32B-9B	9	148.5	169	88	25	55	80	5.55
32B-10B	10	164.4	185	104	25	60	80	8.00
32B-11B	11	180.3	200	120	30	75	80	8.70
32B-12B	12	196.3	217	133*	30	80	80	11.00
32B-13B	13	212.3	233	145*	30	90	80	9.00
32B-14B	14	228.3	249	160*	30	100	80	15.70
32B-15B	15	244.3	265	160*	30	100	80	18.00

Chain Size: **32B-2**

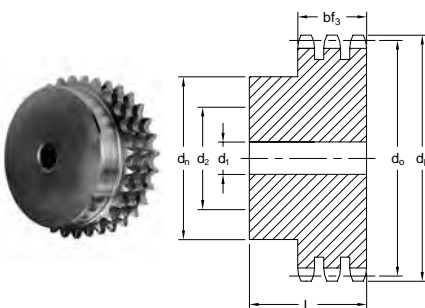
Spkt. Width: 87.4 mm (bf<sub>2</sub>)



Part No.	Teeth	d <sub>o</sub> mm	d <sub>k</sub> mm	d <sub>n</sub> mm	d <sub>1</sub> mm	d <sub>2</sub> mm	L mm	Wt. kg
32B-2-8B	8	132.7	153	82	25	50	120	10.0
32B-2-9B	9	148.5	169	88	25	55	120	12.0
32B-2-10B	10	164.4	185	104	25	60	120	14.5
32B-2-11B	11	180.3	200	120	30	75	120	16.0
32B-2-12B	12	196.3	217	133*	30	80	120	18.2
32B-2-13B	13	212.3	233	145*	30	90	120	21.5
32B-2-14B	14	228.3	249	160*	30	100	120	26.5
32B-2-15B	15	244.3	265	160*	30	100	120	31.0

Chain Size: **32B-3**

Spkt. Width: 146.0 mm (bf<sub>3</sub>)



Part No.	Teeth	d <sub>o</sub> mm	d <sub>k</sub> mm	d <sub>n</sub> mm	d <sub>1</sub> mm	d <sub>2</sub> mm	L mm	Wt. kg
32B-3-8B	8	132.7	153	82	25	50	180	21.0
32B-3-9B	9	148.5	169	88	25	55	180	23.0
32B-3-10B	10	164.4	185	104	25	60	180	25.0
32B-3-11B	11	180.3	200	120	30	75	180	27.0
32B-3-12B	12	196.3	217	133*	30	80	180	30.0
32B-3-13B	13	212.3	233	145*	30	90	180	33.9
32B-3-14B	14	228.3	249	160*	30	100	180	40.6
32B-3-15B	15	244.3	265	160*	30	100	180	46.0

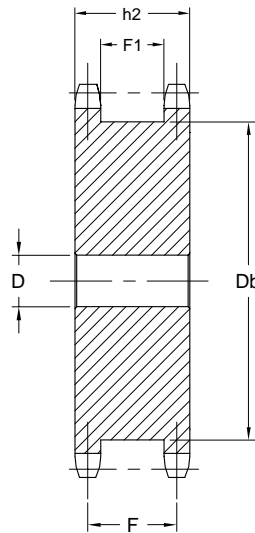
Note: \* Fabricated with welded hub.

# Metric Double Single Sprocket



Material: C45 E Steel

For 06B-1 Roller Chain (3/8" x 7/32", Roller Diameter 6.35mm)						
Part No.	Teeth	h2	F	F1	Db	D
06B-13DS	13	24.3	19	13.7	28	10
06B-14DS	14	24.3	19	13.7	31	10
06B-15DS	15	24.3	19	13.7	34	10
06B-16DS	16	24.3	19	13.7	37	10
06B-17DS	17	24.3	19	13.7	40	10
06B-18DS	18	24.3	19	13.7	43	10
06B-19DS	19	24.3	19	13.7	46	10
06B-20DS	20	24.3	19	13.7	49	10
06B-21DS	21	24.3	19	13.7	52	12
06B-23DS	23	24.3	19	13.7	59	12
06B-25DS	25	24.3	19	13.7	65	12



For 08B-1 Roller Chain (1/2" x 5/16", Roller Diameter 8.51mm)						
Part No.	Teeth	h2	F	F1	Db	D
08B-12DS	12	31	23.8	16.6	33	10
08B-13DS	13	31	23.8	16.6	37	10
08B-14DS	14	31	23.8	16.6	42	10
08B-15DS	15	31	23.8	16.6	45	10
08B-16DS	16	31	23.8	16.6	49	10
08B-17DS	17	31	23.8	16.6	53	12
08B-18DS	18	31	23.8	16.6	57	12
08B-19DS	19	31	23.8	16.6	62	12
08B-20DS	20	31	23.8	16.6	66	12
08B-21DS	21	31	23.8	16.6	70	14
08B-23DS	23	31	23.8	16.6	78	14
08B-24DS	24	31	23.8	16.6	82	14
08B-25DS	25	31	23.8	16.6	86	14

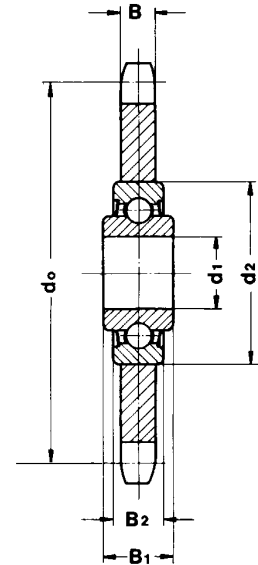
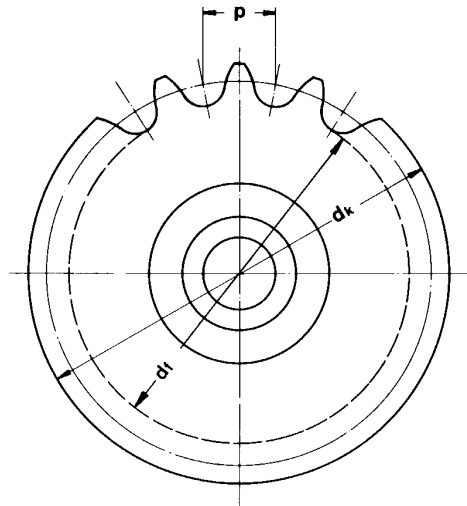
For 10B-1 Roller Chain (5/8" x 3/8", Roller Diameter 10.16mm)						
Part No.	Teeth	h2	F	F1	Db	D
10B-12DS	12	36.5	27.3	18.1	45	12
10B-13DS	13	36.5	27.3	18.1	50	12
10B-14DS	14	36.5	27.3	18.1	55	12
10B-15DS	15	36.5	27.3	18.1	60	12
10B-16DS	16	36.5	27.3	18.1	73	14
10B-17DS	17	36.5	27.3	18.1	70	14
10B-18DS	18	36.5	27.3	18.1	75	14
10B-19DS	19	36.5	27.3	18.1	80	14
10B-20DS	20	36.5	27.3	18.1	85	14
10B-21DS	21	36.5	27.3	18.1	90	16
10B-22DS	22	36.5	27.3	18.1	95	16
10B-23DS	23	36.5	27.3	18.1	100	16
10B-25DS	25	36.5	27.3	18.1	110	16

For 12B-1 Roller Chain (3/4" x 7/16", Roller Diameter 12.07mm)						
Part No.	Teeth	h2	F	F1	Db	D
12B-12DS	12	45	33.9	22.8	53	14
12B-13DS	13	45	33.9	22.8	59	14
12B-14DS	14	45	33.9	22.8	65	14
12B-15DS	15	45	33.9	22.8	71	14
12B-16DS	16	45	33.9	22.8	77	14
12B-17DS	17	45	33.9	22.8	83	16
12B-18DS	18	45	33.9	22.8	89	16
12B-19DS	19	45	33.9	22.8	95	16
12B-20DS	20	45	33.9	22.8	101	16
12B-21DS	21	45	33.9	22.8	107	20
12B-23DS	23	45	33.9	22.8	119	20
12B-25DS	25	45	33.9	22.8	131	20

For 16B-1 Roller Chain (1" x 17/2", Roller Diameter 15.88mm)						
Part No.	Teeth	h2	F	F1	Db	D
16B-13DS	13	63.5	47.3	31.1	81	16
16B-14DS	14	63.5	47.3	31.1	89	16
16B-15DS	15	63.5	47.3	31.1	97	16
16B-16DS	16	63.5	47.3	31.1	105	20
16B-17DS	17	63.5	47.3	31.1	113	20
16B-18DS	18	63.5	47.3	31.1	121	20
16B-19DS	19	63.5	47.3	31.1	129	20
16B-20DS	20	63.5	47.3	31.1	137	20
16B-21DS	21	63.5	47.3	31.1	145	20
16B-23DS	23	63.5	47.3	31.1	161	20
16B-25DS	25	63.5	47.3	31.1	177	20

Note: TL Taper Bushed version available on request.  
 Finished Bore also available on request.

# Metric Idler Sprockets



Part No.	Chain Size (ISO)	Pitch p mm	Teeth	d <sub>o</sub> mm	d <sub>k</sub> mm	B mm	d <sub>1</sub> mm *	d <sub>2</sub> mm	B <sub>1</sub> mm	B <sub>2</sub> mm	Wt. kg
S05B-1-23T	05B-1	8	23	58.75	62.0	7.0	16	40	18.3	12	0.14
S06B-1-21T	06B-1	9.525	21	63.9	68.0	5.3	16	40	18.3	12	0.15
S081B-1-18T	081B-1	12.7	18	73.1	78.9	7.0	16	40	18.3	12	0.20
S083B-1-16T	083B-1	12.7	16	65.1	70.9	7.0	16	40	18.3	12	0.20
S08B-1-16T	08B-1	12.7	16	65.1	69.5	7.2	16	40	18.3	12	0.20
S08B-1-18T	08B-1	12.7	18	73.1	78.0	7.2	16	40	18.3	12	0.20
S10B-1-15T	10B-1	15.875	15	86.4	93.0	9.1	16	40	18.3	12	0.20
S10B-1-17T	10B-1	15.875	17	86.4	93.0	9.1	16	40	18.3	12	0.30
S12B-1-15T	12B-1	19.05	15	91.6	100.0	11.1	16	40	18.3	12	0.40
S16B-1-12T	16B-1	25.4	12	98.1	109.0	16.2	20	47	17.7	14	0.65
S20B-1-13T	20B-1	31.75	13	132.7	148.0	18.5	25	52	25.4	15	0.73

Note: \*Bore Tolerance + 0.26/+ 0.13mm