

Table of Contents



Stock Product	Inside Cover	Metric Rod Ends	254
General Overview	2	Winkel Combined Bearings & Profiles	
Mounted Ball Bearings - Metric / Inch		Winkel Combined Bearings.	272
Ball Bearing Selection & Interchange	8	Profile for Combined Bearings	288
Pillow Blocks	14	Winkel Vulkollan & Polyamide Combined Brgs.	293
Tapped Base	36	Profiles for Vulkollan & Polyamide Bearings.	298
4-Bolt Flange & Piloted Flange	44	Roller Chain	
3-Bolt Flange & Piloted Flange	64	Selection	302
2-Bolt Flange (Standard & Piloted)	76	Roll-Ring® Chain Tensioner	303
Swivel Units	106	Metric (British Standard) Chain	304
Take Up	108	ANSI Chain	305
Hanger Units	120	Metric Attachment Chain	306
Cylindrical Units	122	Stainless & Nickel Chain	310
Standard Ball Bearing Inserts	124	Stainless Steel Attachment Chain	311
Thermoplastic / Stainless Units	140	Attachment Chain Design Worksheet	312
Nickel Plated	141	Double Pitch Chain	313
End Covers & Back Covers	168	Chain Breakers	314
All Stainless Steel Inserts	169	Hollow Pin Chain	315
Pillow Blocks & Specialty Housings		Marathon Lube Free Chain	318
SAF Series Split Blocks	172	Accumulator Chain	320
SDAF Series Split Blocks	187	Agricultural Chain, Lumber Chain	322
SNG & FSSNG Series Metric Split Blocks	198	Rubber Top Chain Specialty Chain	323
SN Series Metric Split Blocks	204	Heavy Conveyor Chain & Sprockets	324
Bronze Journal Bearings-Metric	212	Sprockets	
S3000K	213	Metric Sprocket Overview	329
SD 3100 Series Metric Split Blocks	214	Metric B-Hub Type Hardened Teeth	300-366
722500 Flange Series	216	Metric A-Plate Type	331-363
HSPA Take Up Series	218	Metric Taper Bushed Type.	335-360
HFO/HFOE Oil Lubricated Series	220	Metric Stainless.	366-357
PDNF Double Bearing Series	222	Double Single Sprockets.	367
Ball & Spherical Roller Bearings		Idler Sprockets	368
Double Row Ball	223	Taper Bushed Weld-On Hubs	369
Spherical Roller	225	Taper Bushings - Metric & Inch	370
Adapters & Hydraulic Nuts		Key Stock - Metric and Inch	370
Adapter Interchange	230	Metric Spur Gears & Racks	372
SNW & SNP Adapters-Inch	223	Belt Drives Products Overview	384
Spanner Wrenches	234	Synchronous Pulleys - Bushed, Bored To Size	385
H-Adapters-Metric & Inch	235	T - Series Metric Timing Pulleys	391
Hydraulic Adapter Sleeves	239	AT- Series Metric Timing Pulleys.	396
Hydraulic Nuts	241	HTD Pulleys - Taper Bushed	400
Withdrawal Sleeves, Nuts, Washers		Super Torque® Pulleys - Taper Bushed	407
Nuts & Washers	242	Metric Sheaves	
Withdrawal Sleeves	249	SPZ, SPA, SPB, SPC, Taper Bushed.	411
Eich Spring Wound Bearings	252	Metric Variable Pitch Sheaves	431
		HRC Taper Bushed Shaft Couplings	432
		Metric & Inch Conversions	434

General Overview



Stock Bearing Products

Mounted Ball and Roller Bearings

- SAF/SAFD/SAFS Split Pillow Blocks
- SDAF Split Pillow Blocks
- Metric SNG & FSSNG Split Plummer Blocks
- Metric SN/SNS Split Plummer Blocks
- S3000K & SD3100 Split Metric Plummer Blocks
- 722 Series Metric Flange Bearings
- Journal Bearing Plummer Blocks
- HFOE, HFO and PDNF Fan Bearing Units
- HSPA Take Up Units
- Spherical Roller and Double Row Ball Bearings



Metric/Inch Mounted Ball Bearings

- Pillow Blocks
- Tapped Base
- 2-Bolt Flanges
- 3-Bolt Flanges
- 4-Bolt Flanges
- Piloted Flanges
- Take-Up Units
- Set Screw, Eccentric, Adapter Lock, and Concentric Lock Inserts
- PTI Brand (Silver Series) and European Brand (Gold Series) Inserts
- Custom made Housings possible
- Hanger Units
- Swivel Flange Units
- Nickel Plated Units
- Stainless Units
- Expansion Units
- End Covers

Adapters, Withdrawal Sleeves, Nuts

- Metric/Inch Adapter Sleeves & Nuts
- Metric Withdrawal Sleeves & Nuts
- Hydraulic Removal Sleeves
- Hydraulic Nuts
- Spanner Wrenches
- Lock Washers
- Precision Locknuts



Corrosion Resistant Ball Bearings

- Stainless Steel Housing and Insert
- Nickel Plated Housing and Stainless Insert
- PBT Thermoplastic Housing and Stainless Insert
- PBT White and Black Housings
- PBT Covers for Thermoplastic Units
- Set Screw and Eccentric Lock Stainless Steel Bearings

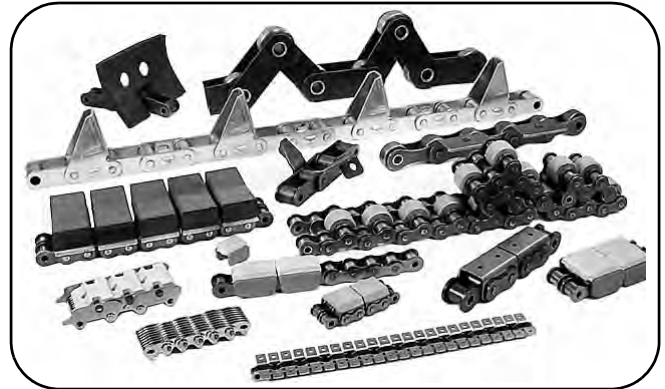


General Overview

Stock Drive Products

Chain

- Metric (British Standard) and ANSI Roller Chain
Single, Double, Triple-Standard,
Nickel Plated, Stainless
- Metric Attachment, Agricultural, Stainless
- Conveyor and Specialty Chain
- Lumber Chains
- Hollow Pin Chains
- Marathon Lube-Free Chain



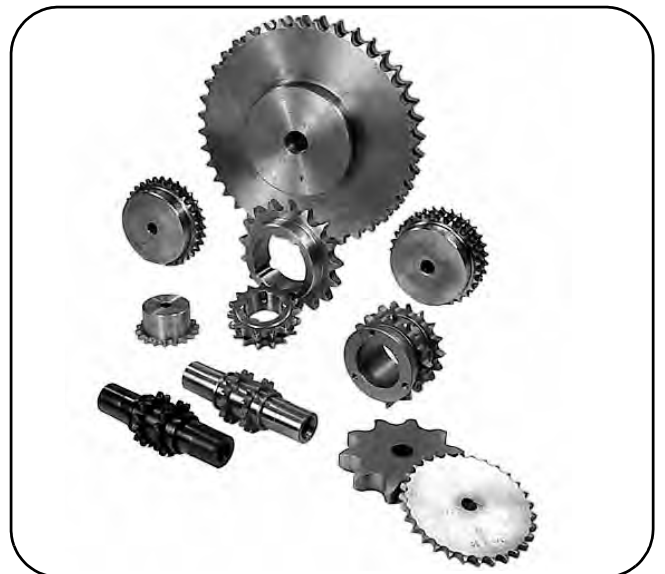
Sprockets

- Taper Bushed Type, Bored to Size
- Single, Double, Triple, Hardened Teeth
- Metric-Hub and Plate Type
- Specialty, Conveyor Chain Sprockets
- Idler Sprockets, Double Single Sprockets
- Stainless Sprockets
- Made to order Custom Sprockets
- ANSI Sprockets on request



Timing Belt Drives and Bushings

- Metric T-Series & AT Series Timing Pulleys
- HTD Pulleys, Taper Bushed, QD optional
- Taper Bushed Synchronous XL, L, H Pulleys
- Metric and Inch Bore Taper Bushings for
Sprockets, Sheaves and Timing Pulleys
- Super-Torque Timing Pulleys - TL Bushed



Metric Sheaves and Bushings

- Metric SPZ, SPA, SPB, SPC tl Sheaves
- Variable Pitch Metric Sheaves
- Metric and Inch Bore Taper Bushings
- AK & BK Sheaves-Bored to Size
- Custom Sheaves on request

Specialty Products



Linear Bearings & Profiles (Rails)

Stainless

New!

Heavy Duty

Vulkollan High Speed

Radial & Axial Adjustment

Simple Mounting

Radial and Thrust Capability

Re-lube Capability

Roller Bearings

SACRB Units

Misalignment and Axial Float Capability

Spring Wound Races — Spiral

Flexible Races

Caster & Furnace Bearings

High Temp, Heavy Load Capability

Operating Temps to 500°C +

Water Cooled Split Units

Installation Tools

Heavy Duty

Specialty Products



Metric Rod Ends

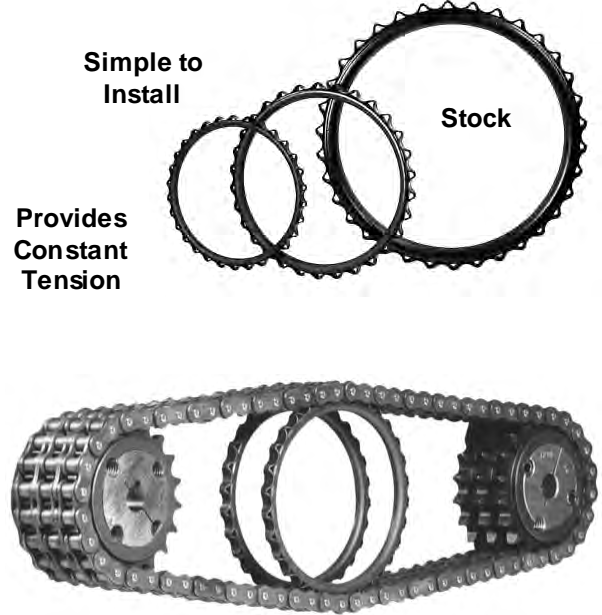


Roll-Ring® Chain Tensioners

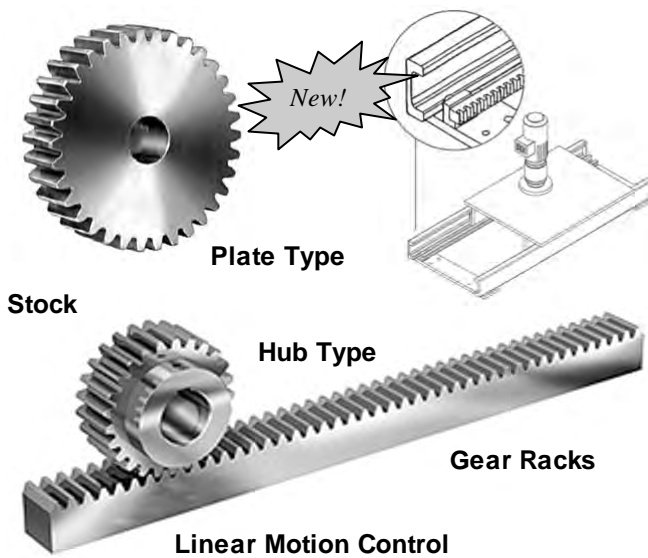
Fits Metric or ANSI Chain

Simple to Install

Provides Constant Tension



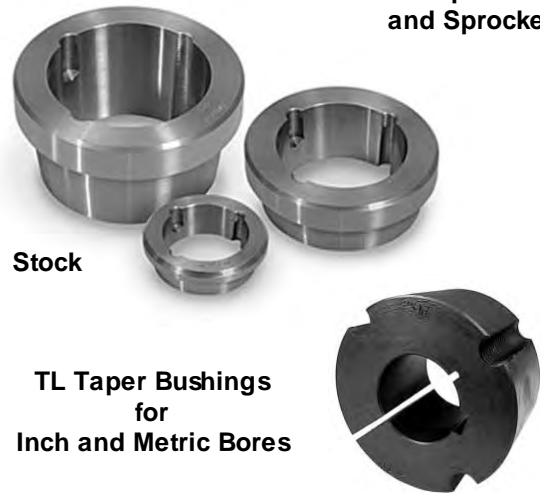
Metric Spur Gears



Weld On Hubs

For TL Bushings...

For Spur Gears and Sprockets



Mounted Ball Bearings

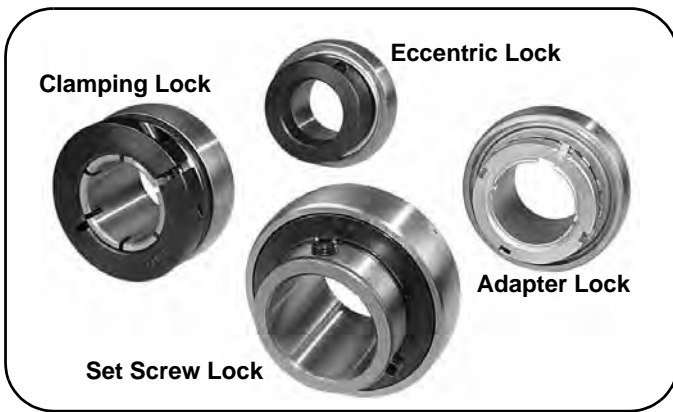


Product Overview

PTI offers the widest assortment of housings and ball bearing inserts in the industry. We have cataloged the more popular combinations, but others are available. So if you cannot find exactly what you want, let us know. We stock finished components as well as assemblies, so nearly every combination is possible.

Shaft Attachment

Typically mounted Ball Bearings attach to the shaft with set screws, eccentric locking collars, a tapered adapter or a clamping lock collar. PTI stocks all four types. The various inserts fit into any housing type.



Gold and Silver Series

PTI offers two brands of inserts in Set Screw and Eccentric Lock Mount. The Gold Series is a popular European Brand and uses a nylon type cage for higher speeds. The Silver Series is a PTI Brand and available in all 4 mounting types. See insert section for dimensions.



UC Gold



UC Silver

The choice allows 2 price points. A wide range of inserts are available. Wide Inner Ring, Narrow Inner Ring, Set Screw and Eccentric Collar Lock, Adapter Mount, Concentric Clamping collar type, stainless and cylindrical OD types. So, you have choices!

Housing Types

PTI stocks over 400 housing types and sizes including popular European Metric, Pacific Metric and American Standard configurations. Stainless and thermoplastic housings are stock as well. Custom housings are also possible.

Wide Assortment of Types



Pillow Blocks



Four Bolt Flange and Cartridge Types



Mounted Ball Bearings

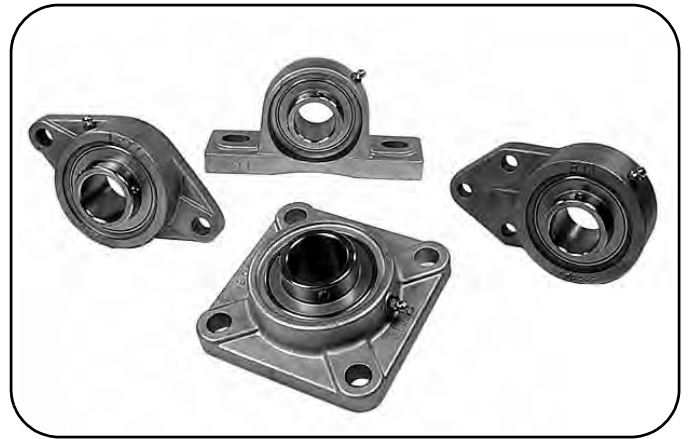


Product Overview Cont.

3-Bolt Flange Units



Corrosion Resistant All Stainless Steel



2-Bolt Flange Units



Thermoplastic Housings and Stainless Bearing Inserts



Take-ups, Hanger and Swivel Flange Units



Gold and Silver Insert Series, Wide and Narrow Inner Rings, Set Screw, Eccentric Collar and Adapter Locking Types.

