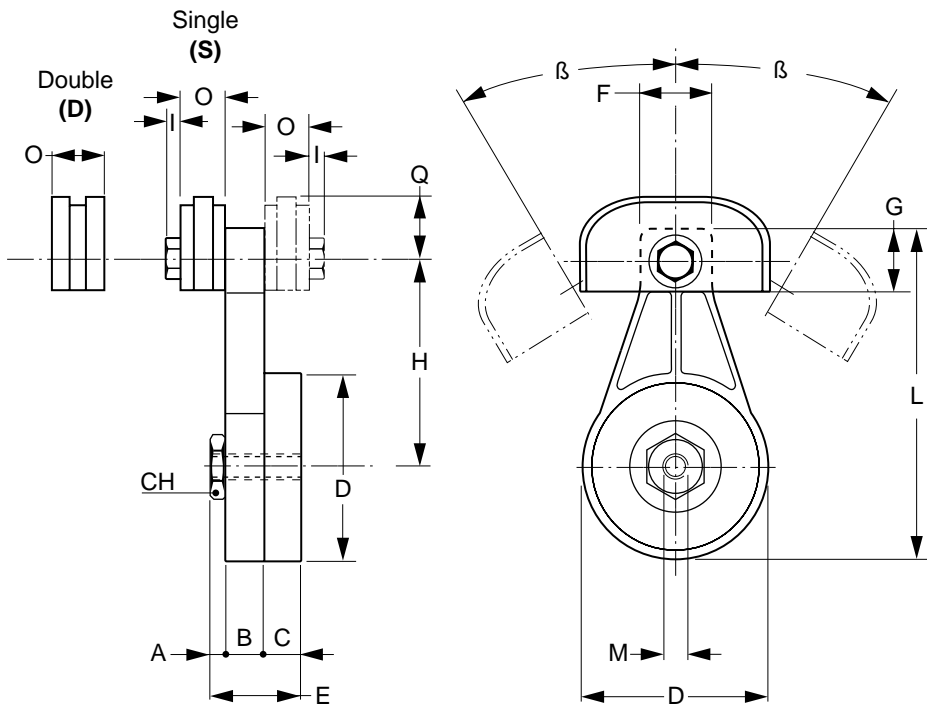




TCP Type Tensioner

For 3/8" to 1" Pitch Roller Chains
Low Friction Polyethylene Head – Spring-Loaded



Automatically keeps the tension constant.



MATERIAL: Arm – High-Tensile Die-Cast Aluminum Alloy (See*)
Head – Polyethylene (UHMW-PE)

MAX. OPERATING TEMPERATURE: 65°C (149°F)

Catalog Number	Chain Pitch	Load (N)		A	B	C	CH	D	E	F	G	H	I	L	M	N	O	Q	β	
		Min	Max																	
QCT-TCP003S**	3/8" x 7/32"	80	160	5	15	15	24	63	35	23	23	75.5	5.5	119	M10	70	20	22	45°	
QCT-TCP103S	3/8" x 7/32"	120	240	5	15.5	15.5	24	69	36	30	25	86.5	7	134	M10	70	20	22	45°	
QCT-TCP103D																				
QCT-TCP104S	1/2" x 5/16"	120	240	5	15.5	15.5	24	69	36	30	25	86.5	7	134	M10	70	20	22	45°	
QCT-TCP104D																				
QCT-TCP105S	5/8" x 3/8"	120	240	5	15.5	15.5	24	69	36	30	25	86.5	7	134	M10	90	22	25	29	45°
QCT-TCP105D																				
QCT-TCP205S	5/8" x 3/8"	240	380	7	18	18	27	90	43	34	30	100	8	159	M12	90	22	29	30°	
QCT-TCP205D																				
QCT-TCP206S#	3/4" x 7/16"	240	380	7	18	18	27	90	43	34	30	100	8	159	M12	90	22	29	35	30°
QCT-TCP208S#																				

*Acetal arm. #Head for double chain is not available.

NOTE: Orientation of head is supplied as shown. End user can reposition if necessary.

All dimensions are in mm unless otherwise noted.

QTC, Econobelt & Zetasassi products are available from: MARYLAND METRICS
P.O.Box 261 Owings Mills, MD 21117 USA E-mail: sales@mdmetric.com
phones: (410)358-3130 (800)638-1830 faxes: (410)358-3142 (800)872-9329 url: http://mdmetric.com

copyright 2003 maryland metrics/qtc/econobelt/zetasassi