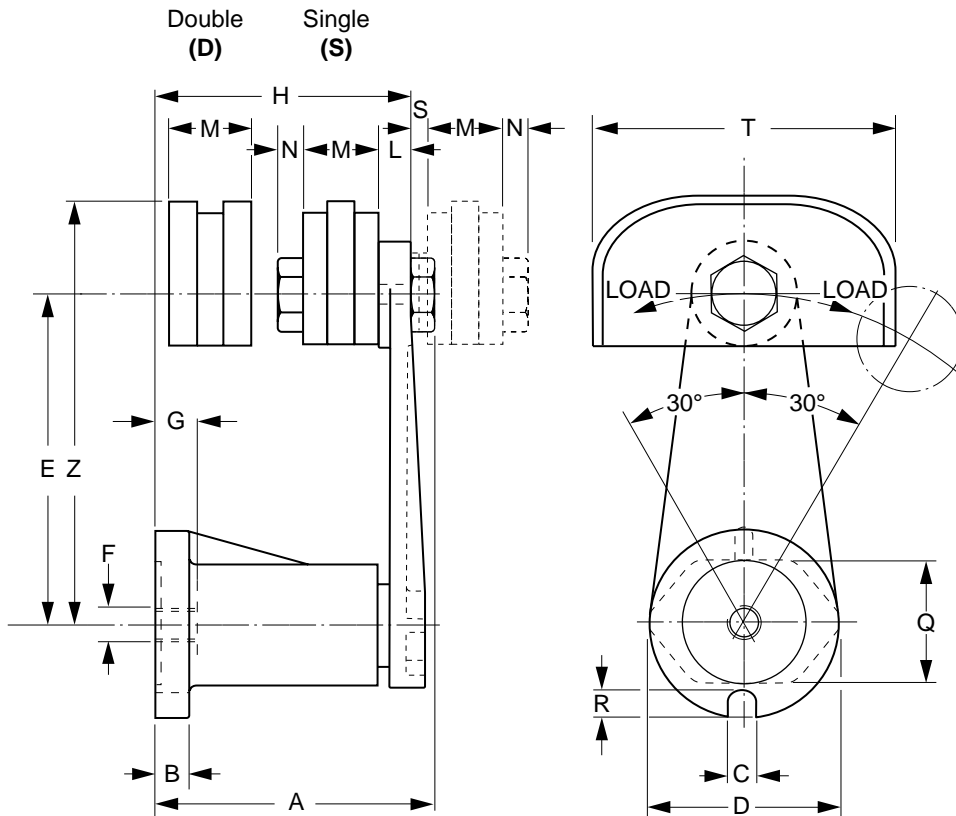




# RHP Type Tensioner

For 3/8" to 1" Pitch Roller Chains  
Low Friction Polyethylene Head – Spring-Loaded



Automatically keeps the tension constant.



**MATERIAL:** Arm – High-Tensile Die-Cast Aluminum Alloy  
Head – Polyethylene (UHMW-PE)  
**MAX. OPERATING TEMPERATURE:** 65°C (149°F)

Catalog Number	Chain Pitch	Load (N)		A ±1	B	C	D	E	F	G	H ±1	L	M	N	Q	R	S	T	Z
		Min	Max																
QCT-RHP11103S QCT-RHP11103D	3/8" x 7/32"	0	100	57	6	8	35	80	M6	8.5	51	8	20	7	22	5	4	70	102
QCT-RHP15503S QCT-RHP15503D	3/8" x 7/32"	0	150	70	8	8.5	45	100	M8	10.5	64	8	20	7	30	6	4	70	122
QCT-RHP15504S QCT-RHP15504D	1/2" x 5/16"	0	150	70	8	8.5	45	100	M8	10.5	64	8	20	7	30	6	4	70	122
QCT-RHP18804S QCT-RHP18804D	1/2" x 5/16"	0	300	84	10.5	8.5	58	100	M10	13	78	10	20	7	37	8	4	70	122
QCT-RHP18805S QCT-RHP18805D	5/8" x 3/8"	0	300	85	10.5	8.5	58	100	M10	13	78	10	22 25	8	37	8	5	90	129
QCT-RHP27706S* QCT-RHP27708S*	3/4" x 7/16" 1" x 17 mm.	0	900	114	15	10.5	78	130	M12	17	107	12	22 25	8	53	10	5	90 110	159 165

\*Head for double chain is not available.

**NOTE:** Orientation of head is supplied as shown. End user can reposition if necessary.

All dimensions are in mm unless otherwise noted.

**QTC, Econobelt & Zetasassi products are available from: MARYLAND METRICS**  
**P.O.Box 261 Owings Mills, MD 21117 USA E-mail: sales@mdmetric.com**  
**phones: (410)358-3130 (800)638-1830 faxes: (410)358-3142 (800)872-9329 url: http://mdmetric.com**  
 copyright 2003 maryland metrics/qtc/econobelt/zetasassi