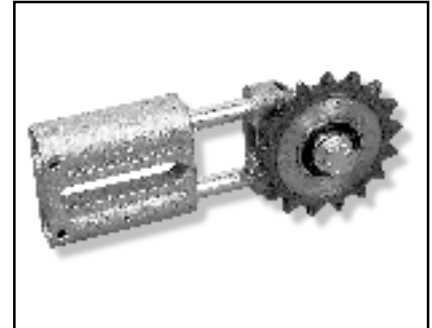
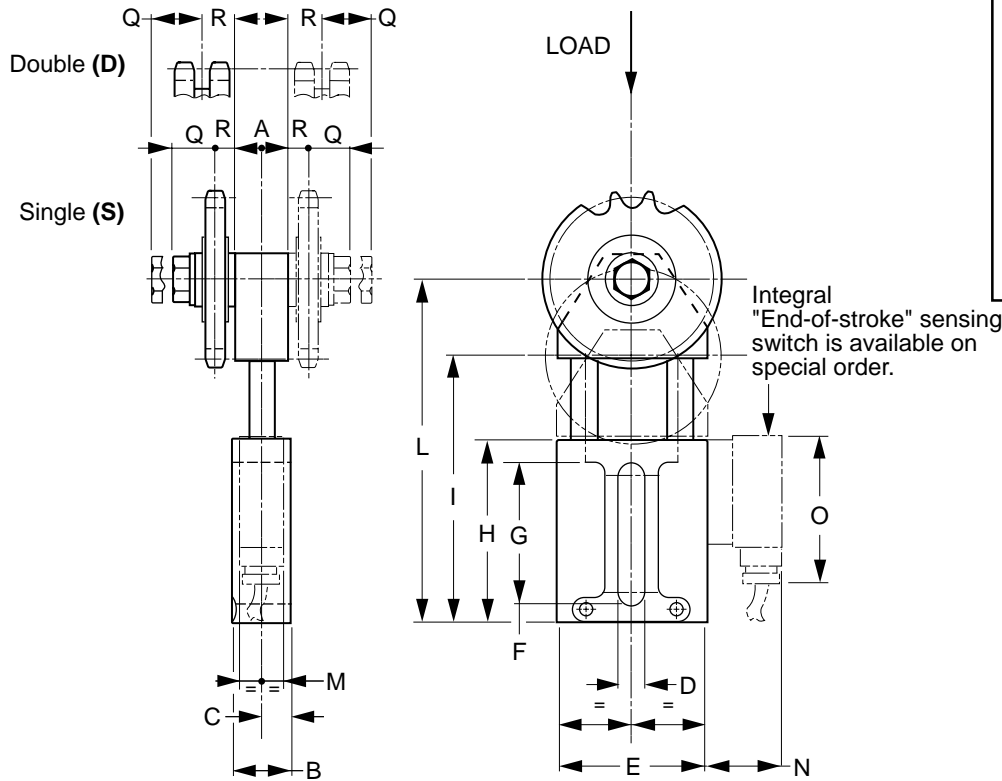




# ETR Type Tensioner

For 3/8" to 1" Pitch Roller Chains  
Sprockets with Ball Bearing – Spring-Loaded

Automatically keeps the tension constant.



**MATERIAL:** Base & Mounting Head – High-Tensile Die-Cast Aluminum Alloy  
Slide Arms – High-Tensile Steel (Zinc Plated)  
Sprocket – Steel (Heat-Treated)

Catalog Number	Chain Pitch	Teeth	Load (N)		A	B	C	D	E	F	G	H	I	L	Q	R	M	N	O
			Min	Max															
QCT-ETR103S QCT-ETR103D	3/8" X 7/32"	21	130	250	20	23	12.5	11	56.2	7	58	74	99	127	19.7 18	9.2 11	-	-	-
QCT-ETR104S QCT-ETR104D	1/2" x 5/16"	16	130	250	20	23	12.5	11	56.2	7	58	74	99	127	19.7 16.5	9.2 12.5	-	-	-
QCT-ETR205S QCT-ETR205D	5/8" x 3/8"	17	180	420	25	28	15	12.5	70.5	9	70	87	127	163	19.7 21.8	9.2 15.3	-	-	-
QCT-ETR206S QCT-ETR206D	3/4" x 7/16"	15	180	420	25	28	15	12.5	70.5	9	70	87	127	163	19.7 19.4	9.2 17.7	-	-	-
QCT-ETR308S QCT-ETR308D	1" x 17 mm.	12	300	650	30	33	17.5	14.5	82	9	86	104	151	193	19.4 26.4	8.9 26.4	21	35	70

NOTE: Orientation of sprocket is supplied as shown. End user can reposition if necessary.

All dimensions are in mm unless otherwise noted.

**QTC, Econobelt & Zetasassi products are available from: MARYLAND METRICS**  
**P.O.Box 261 Owings Mills, MD 21117 USA E-mail: sales@mdmetric.com**  
**phones: (410)358-3130 (800)638-1830 faxes: (410)358-3142 (800)872-9329 url: http://mdmetric.com**  
 copyright 2003 maryland metrics/qtc/econobelt/zetasassi