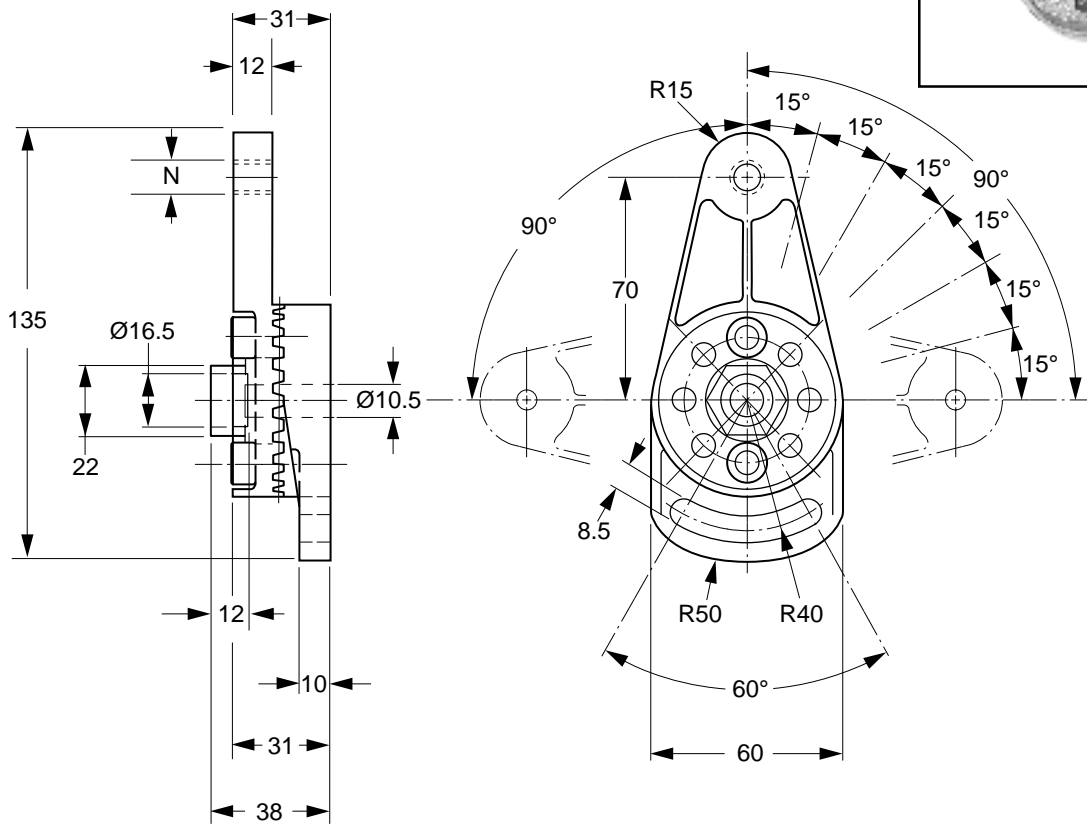




# ORIENT1 Type Tensioner Arm

Adjustable Angle – Not Spring-Loaded



**MATERIAL:** Arm – High-Tensile Die-Cast Aluminum Alloy

Catalog Number	N
QTA-OR1M08	M8
QTA-OR1M10	M10
QTA-OR1M12	M12

All dimensions are in mm unless otherwise noted.

**QTC, Econobelt & Zetasassi products are available from: MARYLAND METRICS**  
**P.O.Box 261 Owings Mills, MD 21117 USA E-mail: sales@mdmetric.com**  
**phones: (410)358-3130 (800)638-1830 faxes: (410)358-3142 (800)872-9329 url: http://mdmetric.com**

copyright 2003 maryland metrics/qtc/econobelt/zetasassi