

MARYLAND METRICS

phones: (410)358-3130 (800)638-1830

faxes: (410)358-3142 (800)872-9329

P.O.Box 261 Owings Mills, MD 21117 USA

Internet: <http://mdmetric.com>

E-mail: sales@mdmetric.com

SLIDE SHAFT

SLIDE GUIDE

BALL SPLINE
ROTARY BALL SPLINE

TOPBALL® PRODUCTS

SLIDE BUSH

SLIDE UNIT

STROKE BUSH
SLIDE ROTARY BUSH

SLIDE SHAFT

SLIDE WAY
SLIDE TABLE
GONIO WAY

ACTUATOR

SLIDE SCREW

NB CENTER-LINED TAPPED SHAFT

A larger diameter shaft can overcome problems in maintaining precision functionality when a high or unbalanced load is applied. The application of the center-lined tapped shaft together with the SA type support base is ideal in such cases (see SA dimensional table on pages E-32 and E-33). The center-lined tapped shaft is standardized to simplify selection.

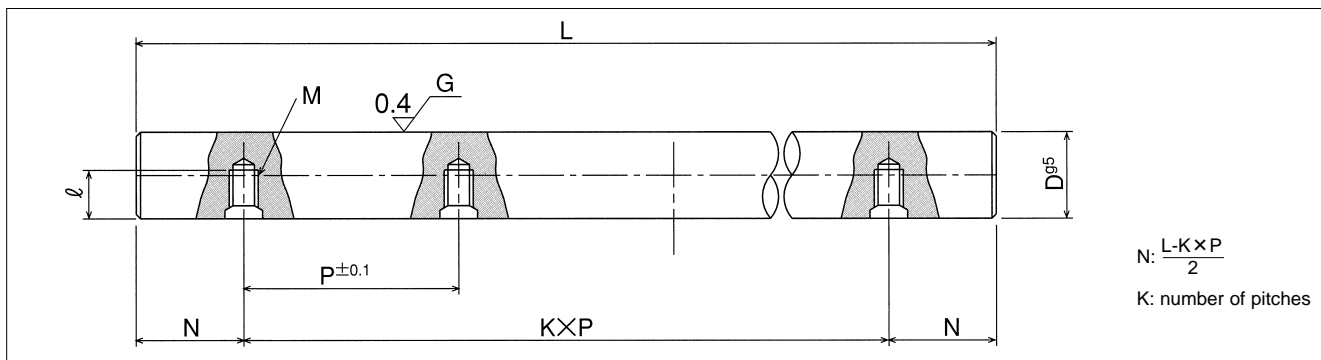
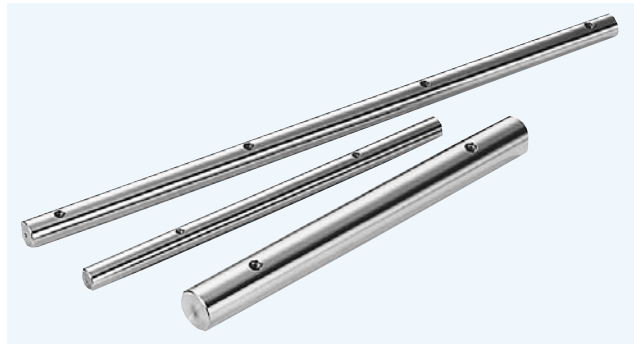
part number structure example

SNSB	25	×	576
------	----	---	-----

length (L)

outer diameter (D)

material	
SNB	SUJ2
SNSB	equivalent to SUS440C



NB Center-Lined Tapped Shaft

part number	outer diameter		pitch P mm	bolt size M	tap depth ℓ mm	maximum length Lmax mm
	D mm	tolerance g5* μm				
SNB10	10	-5/-11	100	M 4	4.5	1,500
SNB12	12	-6	100	M 4	5.5	1,800
SNB13	13	-14	100	M 4	6	2,000
SNB16	16	-7	150	M 5	7	2,000
SNB20	20	-16	150	M 6	9	3,000
SNB25	25	-7	200	M 6	12	4,000
SNB30	30	-16	200	M 8	15	4,500
SNB35	35	-9	200	M 8	15	5,000
SNB40	40	-20	300	M 8	18	6,000
SNB50	50	-20	300	M10	22	6,000

material: high-carbon chromium bearing steel (SUJ2)
 hardness: HV697 (60HRC) or more
 *g5 is standard tolerance for the outer diameter.

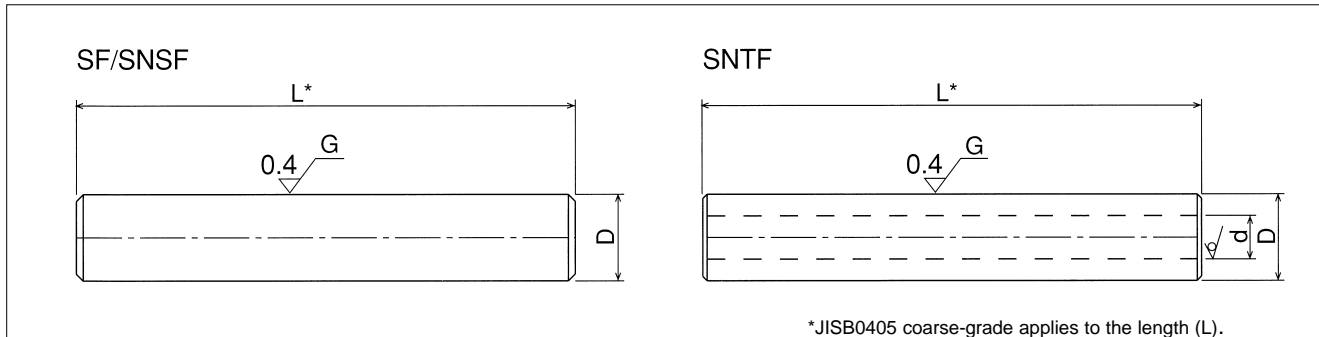
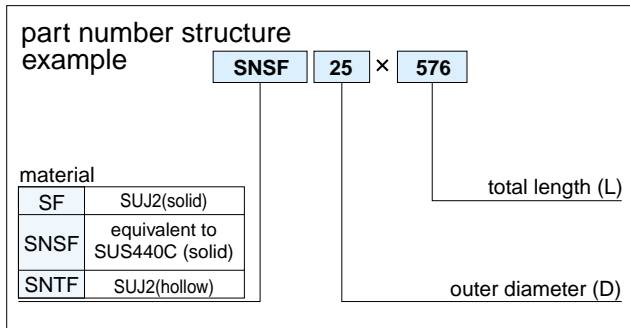
NB Center-Lined Stainless Tapped Shaft

part number	outer diameter		pitch P mm	bolt size M	tap depth ℓ mm	maximum length Lmax mm
	D mm	tolerance g5* μm				
SNSB16	16	-6/-14	150	M 5	7	2,000
SNSB20	20	-7	150	M 6	9	3,000
SNSB25	25	-16	200	M 6	12	4,000
SNSB30	30	-7	200	M 8	15	4,500
SNSB35	35	-9	200	M 8	15	5,000
SNSB40	40	-20	300	M 8	18	6,000
SNSB50	50	-20	300	M10	22	6,000

material: martensite stainless steel (equivalent to SUS440C)
 hardness: HV653 (58HRC) or more
 *g5 is standard tolerance for the outer diameter.

FINE SHAFT

The NB fine shaft is standardized as the most frequently used slide shafts with the NB slide bush. The diversification of industrial needs for rationalization, energy conservation, lower cost, etc. is proceeding rapidly. In such an environment, NB Fine Shafts are mass produced to maintain the highest quality and accuracy while lowering the component cost.



Fine Shaft (SF Type)

part number	outer diameter		length L													mass kg/m
	D mm	tolerance g6 μm	100	200	300	400	500	600	800	1000	1200	1500	1800	2000		
SF 6	6	-4/-12	100				600								0.23	
SF 8	8	-5						800							0.40	
SF10	10	-14		200					1000						0.62	
SF12	12	-6								1500					0.89	
SF13	13	-17													1.04	
SF16	16				300									2000	1.58	
SF20	20	-7													2.47	
SF25	25	-20				400									3.85	
SF30	30						400								5.55	
SF35	35	-9						500							7.55	
SF40	40	-25							600						9.87	
SF50	50									600					15.4	

material: high-carbon chromium bearing steel (SUJ2) hardness: HV697 (60HRC) or more

Stainless Fine Shaft (SNSF Type)

part number	outer diameter		length L													mass
	D	tolerance	L													
	mm	g6 μm	100	200	300	400	500	600	800	1000	1200	1500	1800	2000	kg/m	
SNSF 6	6	-4/-12	100					600								0.22
SNSF 8	8	-5							800							0.39
SNSF10	10	-14		200						1000						0.61
SNSF12	12	-6									1500					0.88
SNSF13	13	-17														1.03
SNSF16	16	-7			300									2000		1.56
SNSF20	20	-20				400										2.43
SNSF25	25	-9					500									3.80
SNSF30	30	-25						600								5.48
SNSF35	35								500							7.23
SNSF40	40									600						9.44
SNSF50	50										600					15.2

material: Martensite stainless steel (equivalent to SUS 440C)
 hardness: HV653 (58HRC) or more, HV613 (56HRC) or more for $\phi 3\sim 6$

Pipe Fine Shaft (SNTF Type)

part number	outer diameter		inner diameter d	length L													mass
	D	tolerance		L													
	mm	g6 μm	mm	100	200	300	400	500	600	800	1000	1200	1500	1800	2000	kg/m	
SNTF 6	6	-4/-12	2	100			400									0.20	
SNTF 8	8	-5	3						600							0.34	
SNTF10	10	-14	4		200					1000						0.52	
SNTF12	12	-6	5								1500					0.73	
SNTF13	13	-17	6													0.82	
SNTF16	16	-7	8			300								2000		1.18	
SNTF20	20	-20	10				400									1.85	
SNTF25	25	-9	15					500								2.46	
SNTF30	30	-25	16						600							3.97	
SNTF35	35		19							500						5.32	
SNTF40	40		20								600					7.39	
SNTF50	50		26									600				11.3	

material: high-carbon chromium bearing steel (SUJ2) hardness: HV697 (60HRC) or more