

## MARYLAND METRICS

phones: (410)358-3130 (800)638-1830

faxes: (410)358-3142 (800)872-9329

P.O.Box 261 Owings Mills, MD 21117 USA

Internet: <http://mdmetric.com>

E-mail: [sales@mdmetric.com](mailto:sales@mdmetric.com)

# SLIDE SHAFT

SLIDE GUIDE

BALL SPLINE  
ROTARY BALL SPLINE

TOPBALL® PRODUCTS

SLIDE BUSH

SLIDE UNIT

STROKE BUSH  
SLIDE ROTARY BUSH

SLIDE SHAFT

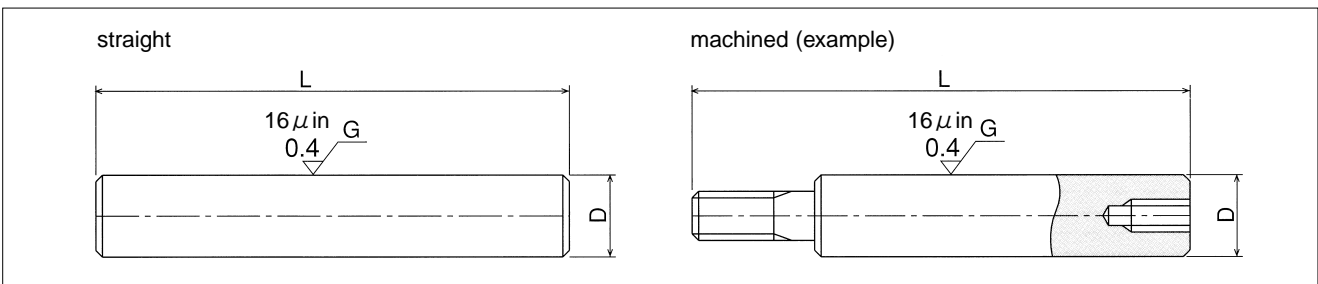
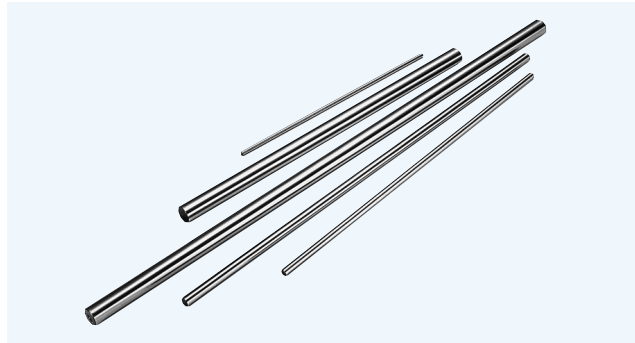
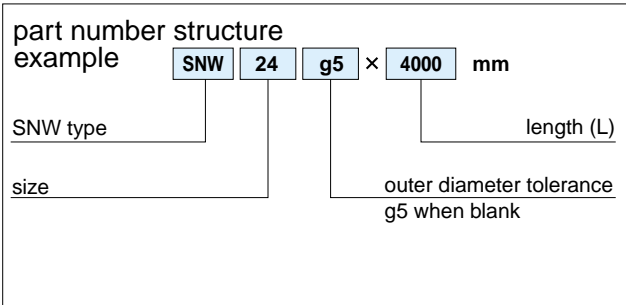
SLIDE WAY  
SLIDE TABLE  
GONIO WAY

ACTUATOR

SLIDE SCREW

## SNW TYPE

### — NB Inch Shaft —



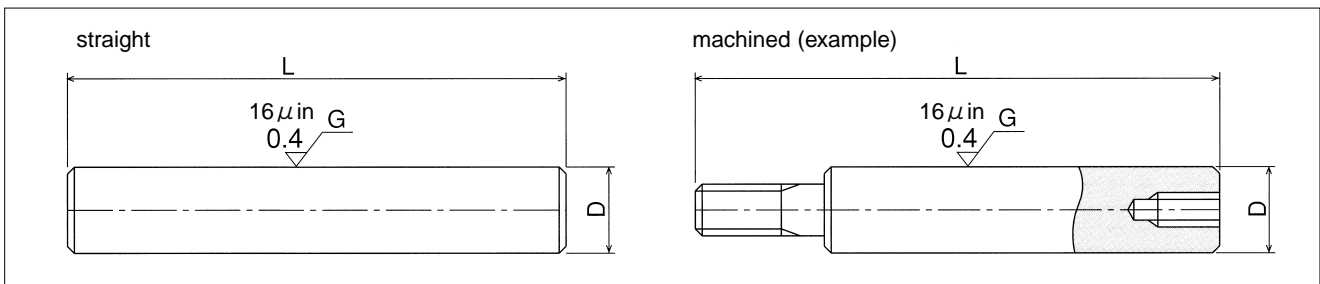
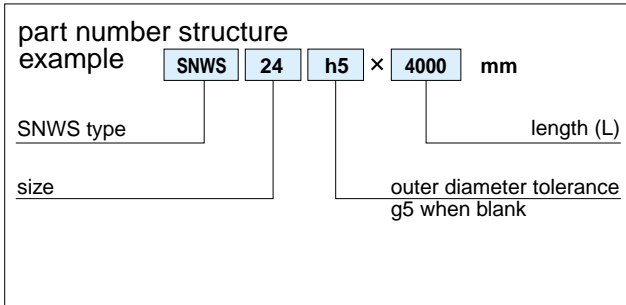
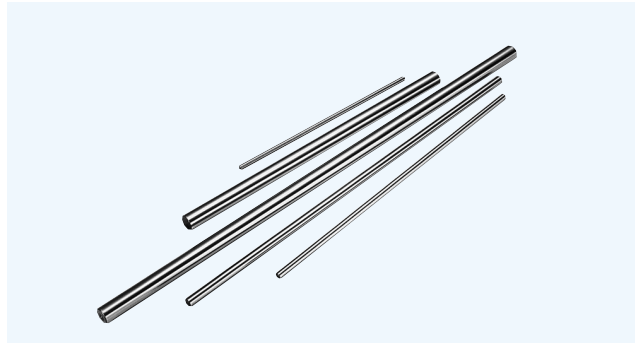
part number	outer diameter		length L		mass
	D inch mm	tolerance g5* inch/μm			
SNW 4	1/4 6.350	-.0002 -.0004	3.94 100	39.37 1000	0.014 0.25
SNW 6	3/8 9.525	-5 -11	7.84 200	59.06 1500	0.031 0.56
SNW 8	1/2 12.700	-.0002 -.0006	7.84 200	118.11 3000	0.056 0.99
SNW10	5/8 15.875	-6 -14	7.84 200	157.48 4000	0.086 1.55
SNW12	3/4 19.050	-.0003 -.0006	11.81 300	157.48 4000	0.125 2.24
SNW16	1 25.400	-7 -16	11.81 300	157.48 4000	0.222 3.98
SNW20	1-1/4 31.750	-.0004 -.0008	11.81 300	157.48 4000	0.420 6.22
SNW24	1-1/2 38.100	-9 -20	15.75 400	157.48 4000	0.500 8.95
SNW32	2 50.800	-.0004	19.69 500	157.48 4000	0.890 15.91
SNW40	2-1/2 63.500	-.0009 -10 -23	23.62 600	157.48 4000	1.391 25.00
SNW48	3 78.200	-10 -23	23.62 600	157.48 4000	2.003 37.92
SNW64	4 101.600	-.0005/-0.011 -12/-27	39.37 1000	157.48 4000	3.560 64.02

material : high-carbon chromium bearing steel (SUJ2)  
 hardness : HV 697 (60HRC) or more  
 Tolerances other than \*g5 are available upon request.  
 Longer length are also available.

1kg ≅ 2.205 lb

## SNWS TYPE

— NB Inch Stainless Steel Shaft —



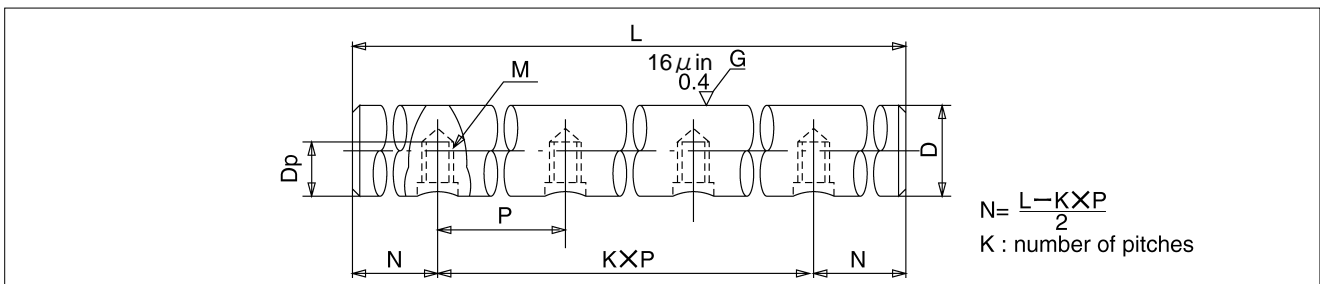
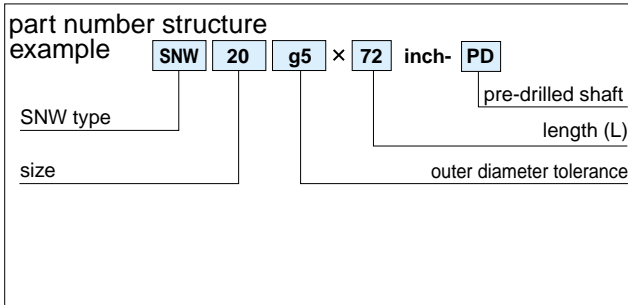
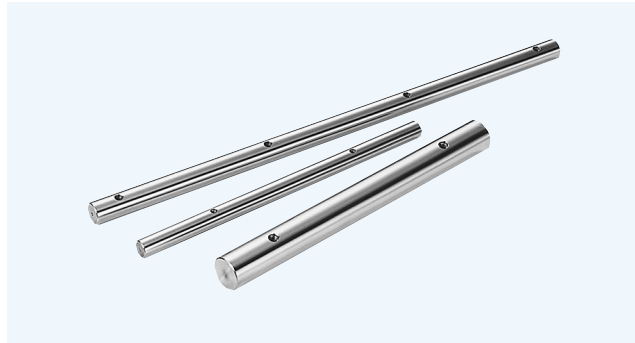
part number	outer diameter		length L		mass ℓ bs/inch kg/m
	D inch mm	tolerance g5* inch/μm	inch mm	inch mm	
SNWS 4	1/4 6.350	-.0002 -.0004	3.94 100	23.62 600	0.014 0.25
SNWS 6	3/8 9.525	-.0005 -.0011	7.84 200	39.37 1000	0.031 0.55
SNWS 8	1/2 12.700	-.0002 -.0006	7.84 200	98.43 2500	0.056 0.98
SNWS10	5/8 15.875	-.0006 -.0014	7.84 200	118.11 3000	0.086 1.54
SNWS12	3/4 19.050	-.0003 -.0006	11.81 300	157.48 4000	0.125 2.22
SNWS16	1 25.400	-.0007 -.0016	11.81 300	157.48 4000	0.222 3.95
SNWS20	1-1/4 31.750	-.0004 -.0008	11.81 300	157.48 4000	0.420 6.16
SNWS24	1-1/2 38.100	-.0009 -.0020	15.75 400	157.48 4000	0.500 8.88
SNWS32	2 50.800	-.0004/-0.0009 -.0010/-0.0023	19.69 500	157.48 4000	0.890 15.78

material : martensite stainless steel (equivalent to SUS440C)  
 hardness : HV 653 (58HRC) or more  
 Tolerances other than \*g5 are available upon request.  
 Longer length are also available.

1kg ≈ 2.205ℓ bs

# SNW-PD

## — NB Inch Pre-Drilled Shaft —



part number	outer diameter		pitch P inch/mm	bolt size M	tapped hole depth Dp inch/mm	maximum length L inch/mm
	D inch mm	tolerance g5* inch/μm				
SNW 8-PD	1/2 12.700	-.0002 -.0006	4 101.6	# 6-32	0.280 7.1	72 1,828.8
SNW10-PD	5/8 15.875	-6 -14		8-32	0.350 8.9	
SNW12-PD	3/4 19.050	-.0003 -.0006	6 152.4	10-32	0.400 10.2	
SNW16-PD	1 25.400	-7 -16		1/4-20	0.500 12.7	
SNW20-PD	1-1/4 31.750	-.0004 -.0008		5/16-18	0.650 16.5	
SNW24-PD	1-1/2 38.100	-9 -20	8 203.2	3/8-16	0.700 17.8	
SNW32-PD	2 50.800	-.0004/- .0010 -10/-23		1/2-13	0.850 21.6	

material : high-carbon chromium bearing steel (SUJ2) .

1kg ≅ 2.205 lb

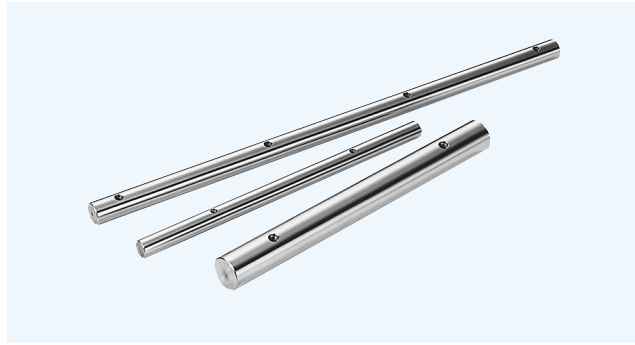
hardness : HV 697 (60HRC) or more

Tolerances other than \*g5 are available upon request.

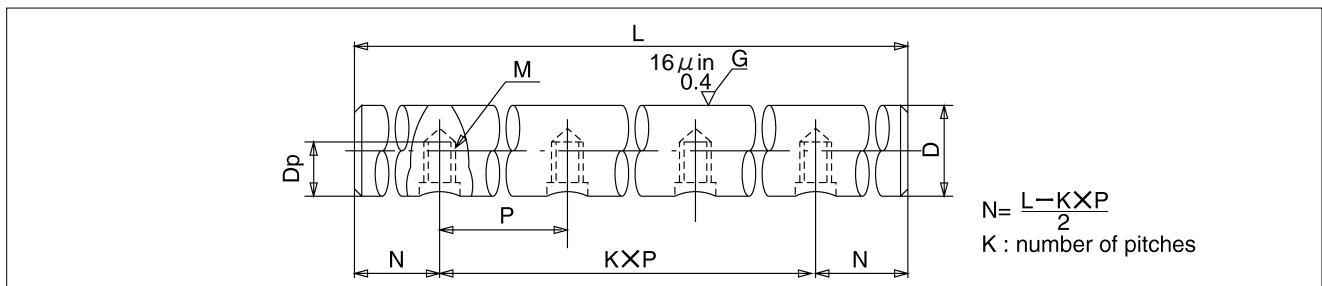
Longer length are also available.

## SNWS-PD

– NB Inch Pre-Drilled Stainless Steel Shaft –



part number structure	
example	SNWS 24 g5 × 72 inch- PD
SNWS type	pre-drilled shaft
size	length (L) outer diameter tolerance



part number	outer diameter		pitch P inch/mm	bolt size M	tapped hole depth Dp inch/mm	maximum length L inch/mm
	D inch mm	tolerance g5* inch/μm				
SNWS12-PD	3/4 19,050	-.0003 -.0006	6 152.4	# 10-32	0.400 10.2	72 1,828.8
SNWS16-PD	1 25,400	-7 -16		1/4-20	0.500 12.7	
SNWS20-PD	1-1/4 31,750	-.0004 -.0008		5/16-18	0.650 16.5	
SNWS24-PD	1-1/2 38,100	-9 -20	8 203.2	3/8-16	0.700 17.8	
SNWS32-PD	2 50,800	-.0004/-0.010 -10/-23		1/2-13	0.850 21.6	

material : martensite stainless steel (equivalent to SUS440C)

hardness : HV653 (58HRC) or more

Tolerances other than \*g5 are available upon request.

Longer length are also available.