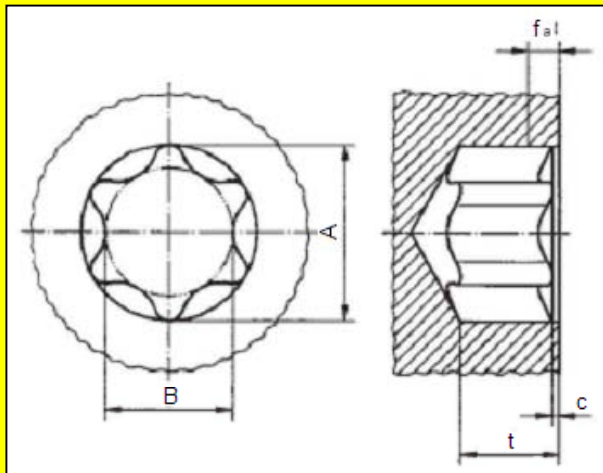


Internal dimensions of hexalobular drive for screws (DIN EN ISO 10664)

Basic dimensions



Penetration t: see relevant product standard

Drive size Number	Dimensions	
	A	B
6	1.75	1.27
8	2.40	1.75
10	2.80	2.05
15	3.35	2.40
20	3.95	2.85
25	4.50	3.25
30	5.60	4.05
40	6.75	4.85
45	7.93	5.64
50	8.95	6.45
55	11.35	8.05
60	13.45	9.60
70	15.70	11.20
80	17.75	12.80
90	20.20	14.40
100	22.40	16.00

dimensions in millimeters

The contour of the internal hexalobular drive is determined by the standard.
(Die Kontur des Innensechsrundes ist durch die Lehren festgelegt.)