

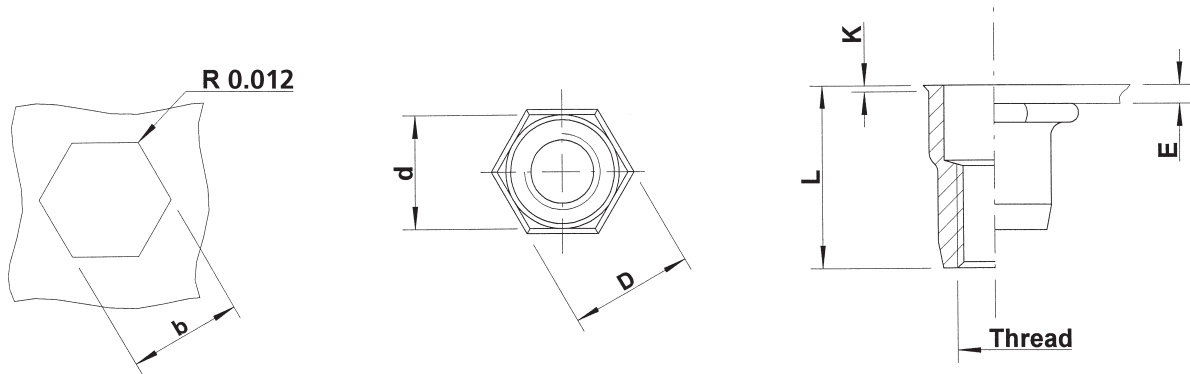
Stainless Steel 304

Low profile head
Semi-hexagonal shank
Open

dimensions
in inches



**HUKO
UNIFIED THREAD**



THREAD	TYPE	E = grip	L	b ^{+0,004} = hex hole	d = hex shank	D = hex head	K	lbs/1000	ORDER CODE
10-32 UNF	HUKO30	.020-.118	0.472	0.276	0.276	0.295	.020	3.30	549 530
1/4-20 UNC	HUKO30	.020-.118	0.571	0.354	0.354	0.374	.020	7.27	547 690
5/16-18 UNC	HUKO30	.020-.118	0.630	0.433	0.433	0.453	.020	10.79	547 850

*All dimensions in inches
Technical data subject to modification*

