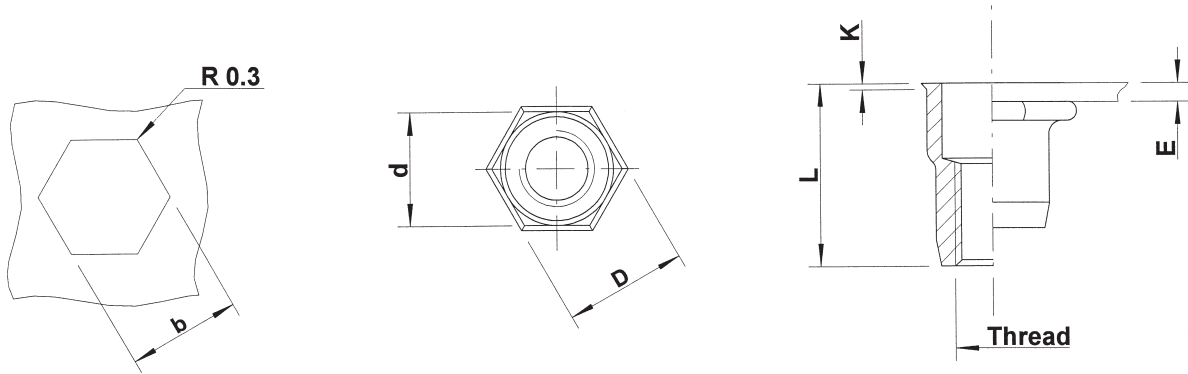


● **Stainless Steel 304**

Low profile head
Semi-hexagonal shank
Open

**HUKO
UNIFIED THREAD**



THREAD	TYPE	E = grip	L	b ^{+0,1} = hex hole	d = hex shank	D = hex head	K	kg/1000	ORDER CODE
10-32 UNF	HUKO30	0,5-3,0	12,0	7,0	7,0	7,5	0,5	1,5	549 530
1/4-20 UNC	HUKO30	0,5-3,0	14,5	9,0	9,0	9,5	0,5	3,3	547 690
5/16-18 UNC	HUKO30	0,5-3,0	16,0	11,0	11,0	11,5	0,5	4,9	547 850

*All dimensions in mm
Technical data subject to modification*

