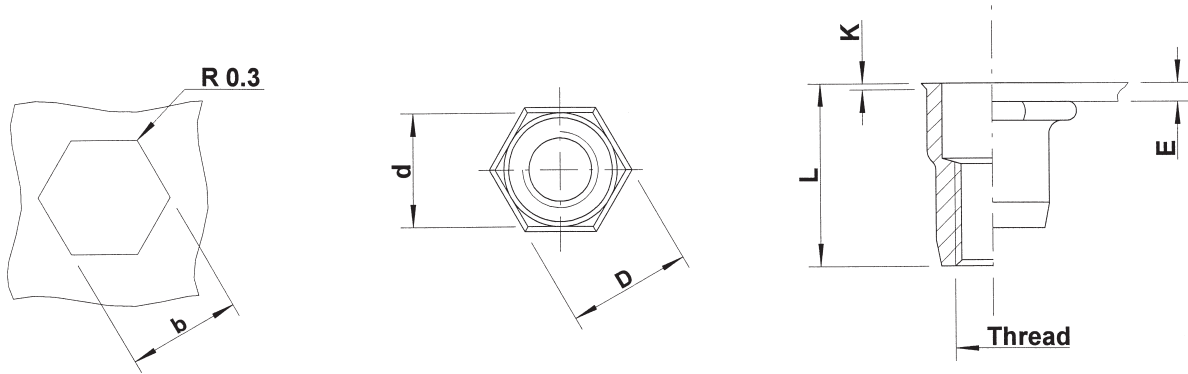


● **Stainless Steel 304**

Low profile head  
Semi-hexagonal shank  
Open

**HUKO**



THREAD	TYPE	E = grip	L	b <sup>+0,1</sup> = hex hole	d = hex shank	D = hex head	K	kg/1000	ORDER CODE
M4	HUKO20	0,5-2,0	11,0	6,0	6,0	6,5	0,5	1,2	544 600
M5	HUKO30	0,5-3,0	12,0	7,0	7,0	7,5	0,5	1,5	545 600
M6	HUKO30	0,5-3,0	14,5					3,3	546 500
	HUKO50	3,0-5,0	16,5	9,0	9,0	9,5	0,5	3,6	546 525
	HUKO70	5,0-7,0	18,5					3,9	546 580*
M8	HUKO30	0,5-3,0	16,0	11,0	11,0	11,5	0,5	4,9	548 300

\* Minimum order quantity required after depletion of stock

All dimensions in mm  
Technical data subject to modification

