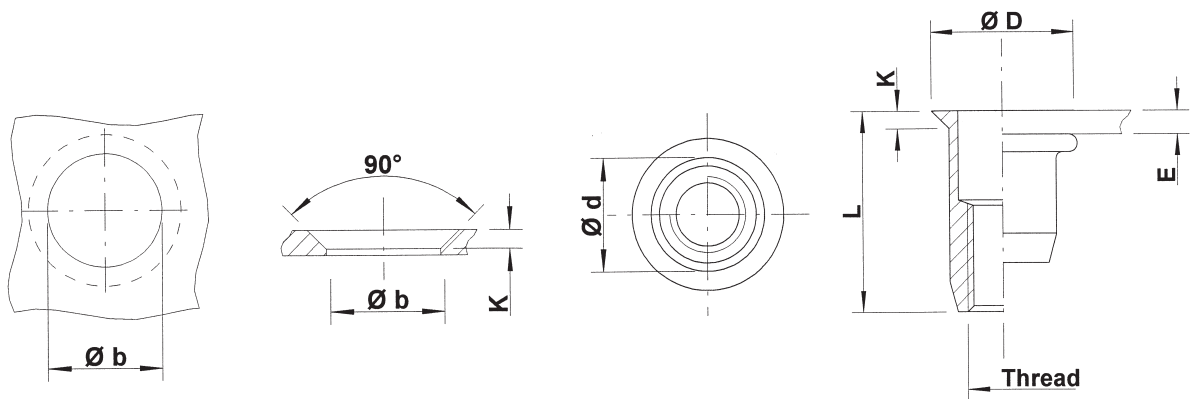


Stainless Steel 304

Countersunk head
Round shank
Open

UFO



THREAD	TYPE	E = grip	L	b ^{+0,1} = drill dia	d = shank dia	D	K	kg/1000	ORDER CODE
M4	UFO30	1,2-3,0	12,0	6,0	6,0	8,0	1,0	1,3	544 120
M5	UFO35	1,2-3,5	12,0	7,0	7,0	9,0	1,0	1,6	545 200
M6	UFO45	1,7-4,5	17,0	9,0	9,0	12,0	1,5	4,2	546 125
M8	UFO45	1,7-4,5	17,5	11,0	11,0	14,0	1,5	5,5	548 070
	UFO65	4,5-6,5	19,5					5,8	548 075
M10	UFO45	1,7-4,5	20,0	12,1	12,0	15,0	1,5	5,9	540 090

All dimensions in mm
Technical data subject to modification

