

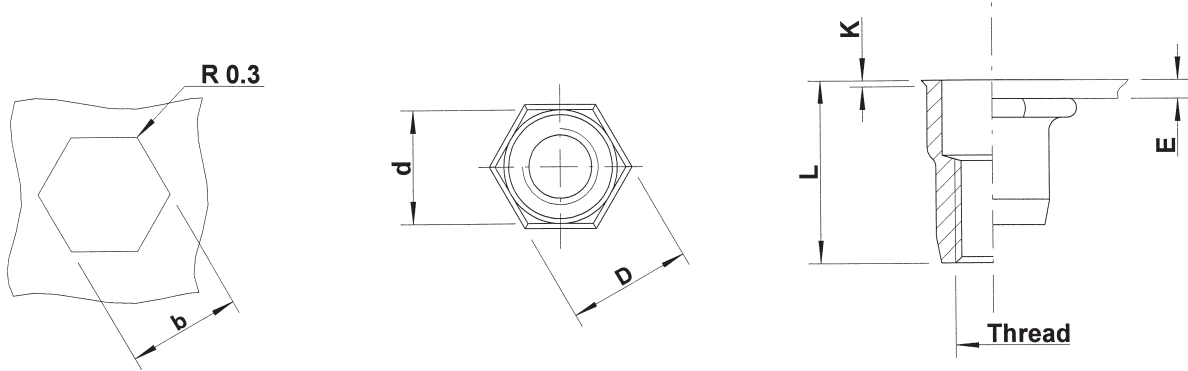
Stainless Steel 316
(contains Molybden)

Low profile head
Semi-hexagonal shank
Open

extra high
corrosion resistance



HUKO



THREAD	TYPE	E = grip	L	b ^{+0,1} = hex hole	d = hex shank	D = hex head	K	kg/1000	ORDER CODE
*M5	HUKO30	0,5-3,0	12,0	7,0	7,0	7,5	0,5	1,5	555 600
M6	HUKO30	0,5-3,0	14,5	9,0	9,0	9,5	0,5	3,3	556 500
M8	HUKO30	0,5-3,0	16,0	11,0	11,0	11,5	0,5	4,9	558 300

Availability: please contact our Sales Department

*M5: in progress

All dimensions in mm
Technical data subject to modification

