

**Stainless Steel 316**  
(contains Molybden)

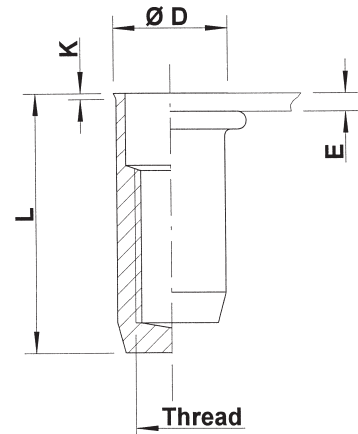
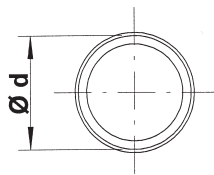
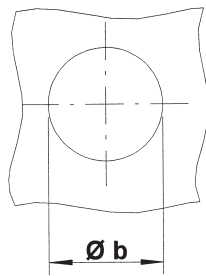
Low profile head  
Round shank  
Closed

extra high  
corrosion resistance



Stainless steel

**UKX**



THREAD	TYPE	E = grip	L	b <sup>+0,1</sup> = drill dia	d = shank dia	D	K	kg/1000	ORDER CODE
*M5	UKX30	0,5-3,0	18,0	7,0	7,0	7,5	0,5	2,7	555 450
M6	UKX30	0,5-3,0	21,5	9,0	9,0	9,5	0,5	5,8	556 450
M8	UKX30	0,5-3,0	24,0	11,0	11,0	11,5	0,5	8,8	558 190

Availability: please contact our Sales Department

\*M5: in progress

All dimensions in mm  
Technical data subject to modification

