

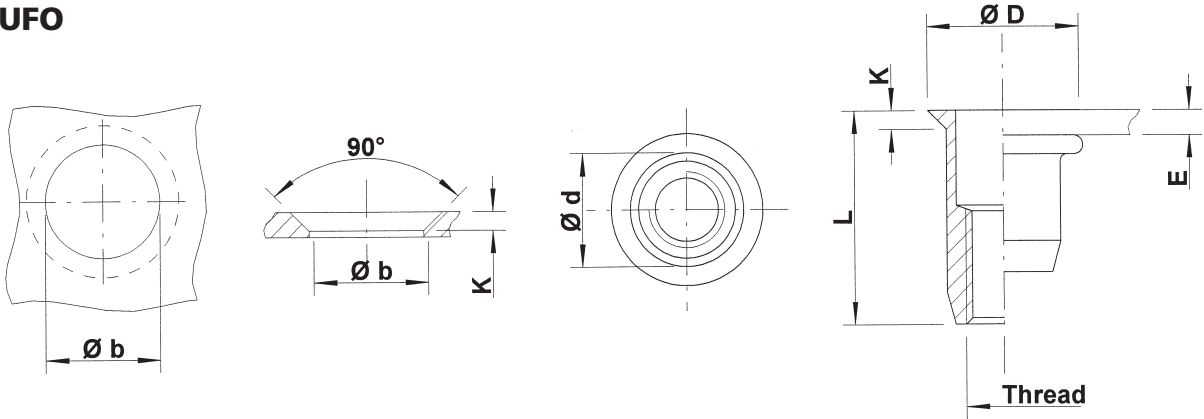
● Steel

Countersunk head
Round shank
Open

Zinktop (A)
Zinc plated, yellow passivated (B)



UFO



THREAD	TYPE	E = grip	L	b ^{+0,1} = drill dia	d = shank dia	D	K	kg/1000	ORDER CODE (A)	ORDER CODE (B)
M3	UFO35	1,7-3,5	11,25	5,1	5,0	8,0	1,5	1,1	523 209*	523 200*
M4	UFO35	1,7-3,5	11,5	6,0	6,0	9,0	1,5	1,3	524 309	524 300
	UFO50	3,5-5,0	13,0					1,5	524 329*	524 320*
M5	UFO40	1,7-4,0	13,0	7,0	7,0	10,0	1,5	2,0	525 269	525 260
	UFO65	4,0-6,5	16,0					2,3	525 289	525 280
M6	UFO45	1,7-4,5	17,0	9,0	9,0	12,0	1,5	4,2	526 309	526 300
	UFO65	4,5-6,5	19,0					4,7	526 329	526 320
M8	UFO45	1,7-4,5	19,0	11,0	11,0	14,0	1,5	6,3	528 269	528 260
	UFO65	4,5-6,5	21,0					7,0	528 289	528 280
M10	UFO45	1,7-4,5	21,0	12,5	12,4	15,4	1,5	7,6	520 229	520 220
	UFO65	4,5-6,5	23,0					8,2	520 249	520 240
M12	UFO45	2,0-4,5	26,0	16,0	16,0	19,0	1,8	16,9	522 269	522 260
	UFO75	4,5-7,5	29,0					18,0	522 289	522 280

* Minimum order quantity required after depletion of stock



All dimensions in mm
Technical data subject to modification