

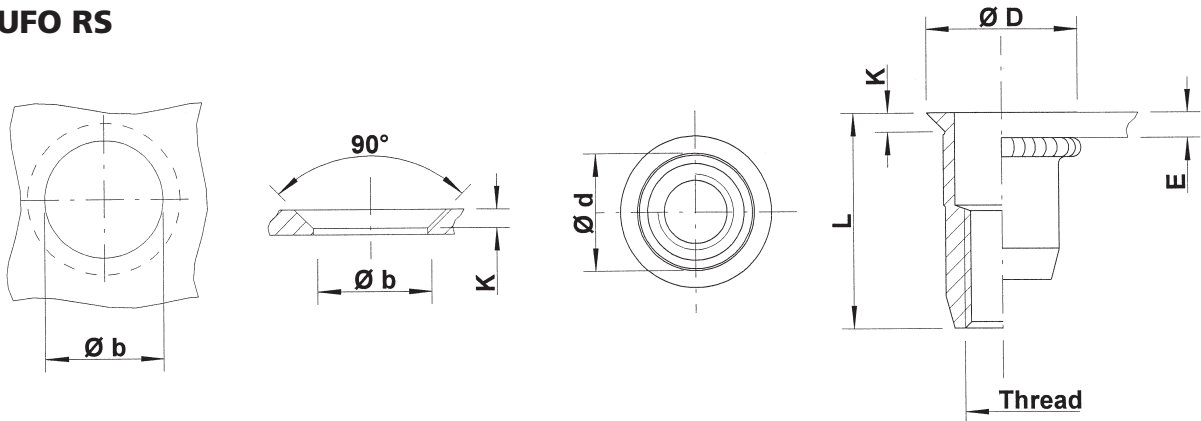
● Steel

Countersunk head
Splined shank
Open

Zinktop (A)
Zinc plated, yellow passivated (B)



UFO RS



Steel

| THREAD | TYPE | E = grip | L | b ^{+0,1} = drill dia | d = splined dia | D | K | kg/1000 | ORDER CODE (A) | ORDER CODE (B) |
|--------|----------|----------|------|-------------------------------|-----------------|------|-----|---------|----------------|----------------|
| M4 | UFO35 RS | 1,7-3,5 | 11,5 | 6,4 | 6,3 | 9,0 | 1,5 | 1,4 | 524 749* | 524 740* |
| | UFO50 RS | 3,5-5,0 | 13,0 | | | | | 1,5 | 524 769* | 524 760* |
| M5 | UFO40 RS | 1,7-4,0 | 13,0 | 7,4 | 7,3 | 10,0 | 1,5 | 2,1 | 525 749 | 525 740 |
| | UFO65 RS | 4,0-6,5 | 16,0 | | | | | 2,4 | 525 769* | 525 760* |
| M6 | UFO45 RS | 1,7-4,5 | 17,0 | 9,4 | 9,3 | 12,0 | 1,5 | 4,4 | 526 769 | 526 760 |
| | UFO65 RS | 4,5-6,5 | 19,0 | | | | | 4,7 | 526 789 | 526 780 |
| M8 | UFO45 RS | 1,7-4,5 | 19,0 | 11,5 | 11,4 | 14,0 | 1,5 | 6,4 | 528 749 | 528 740 |
| | UFO65 RS | 4,5-6,5 | 21,0 | | | | | 6,8 | 528 769 | 528 760 |
| M10 | UFO45 RS | 1,7-4,5 | 21,0 | 13,0 | 12,9 | 15,4 | 1,5 | 7,9 | 520 749 | 520 740 |
| | UFO65 RS | 4,5-6,5 | 23,0 | | | | | 8,5 | 520 769 | 520 760 |

* Minimum order quantity required after depletion of stock

All dimensions in mm
Technical data subject to modification

