

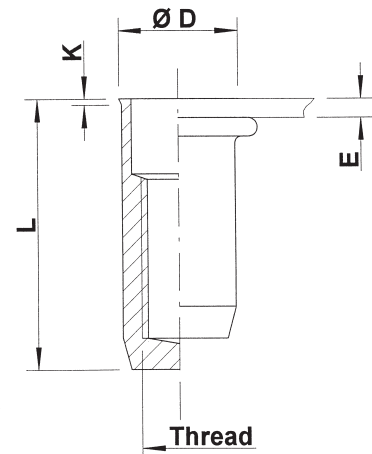
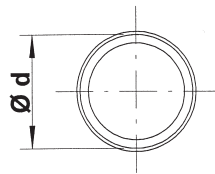
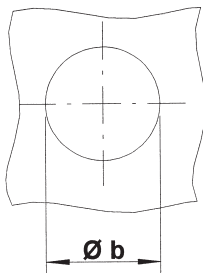
● Steel

Low profile head
Round shank
Closed

Zinktop (A)
Zinc plated, yellow passivated (B)



UKX



Steel

THREAD	TYPE	E = grip	L	b ^{+0,1} = drill dia	d = shank dia	D	K	kg/1000	ORDER CODE (A)	ORDER CODE (B)
M4	UKX30	0,5-3,0	15,0	6,0	6,0	6,5	0,5	1,8	524 579*	524 570*
M5	UKX30	0,5-3,0	18,0	7,0	7,0	7,5	0,5	2,8	525 559*	525 550*
M6	UKX30	0,5-3,0	21,5	9,0	9,0	9,5	0,5	5,8	526 519*	526 510*
M8	UKX30	0,5-3,0	22,5	11,0	11,0	11,5	0,5	8,3	528 479*	528 470*

* Minimum order quantity required after depletion of stock

All dimensions in mm
Technical data subject to modification

