



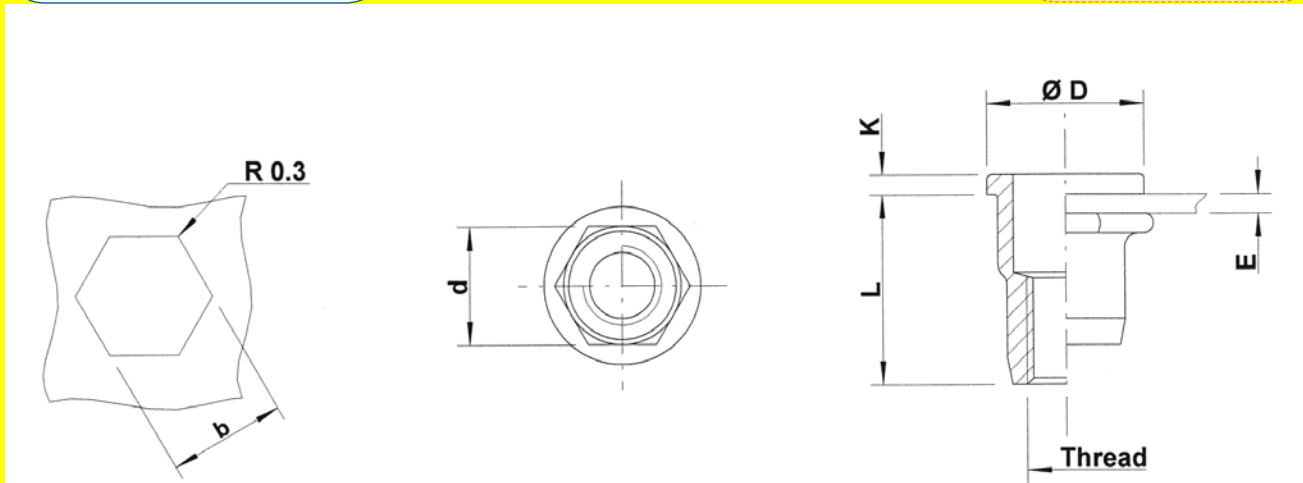
## Stainless Steel 316

(contains > 2% Molybden)

Semi-hexagonal shank  
 Flat head  
 Open end

HUPO / HSPO

extra high  
 corrosion resistance



THREAD	TYPE	E = grip	L	b <sup>+0,1</sup> = hex hole	d = hex shank	D	K	kg/1000	ORDER CODE	BOX Q
M4	HUPO20	0,5-2,0	11,0	6,0	6,0	9,0	1,0	1,5	554 500	2500
M5	HUPO30	0,5-3,0	11,5	7,0	7,0	10,0	1,0	1,8	555 500	2000
M6	HUPO30	0,5-3,0	14,5	9,0	9,0	12,0	1,5	4,0	556 460	1000
	HUPO50	3,0-5,0	16,5						-	556 485*
M8	HUPO30	0,5-3,0	16,0	11,0	11,0	15,0	1,5	6,1	558 250	500
	HUPO55	3,0-5,5	18,5						-	558 270*
M10	HSPO35	0,8-3,5	21,5	13,0	13,0	17,0	1,5	10,1	550 632	400

\* **Non-stock item:** minimum order quantity required after depletion of stock

All dimensions in mm - Technical data subject to modification  
 Tolerances and characteristics see chapter 'Technical Information'



How to order or inquire: Please prefix the TUBTARA order code with 'R852-' example: R852-513550