



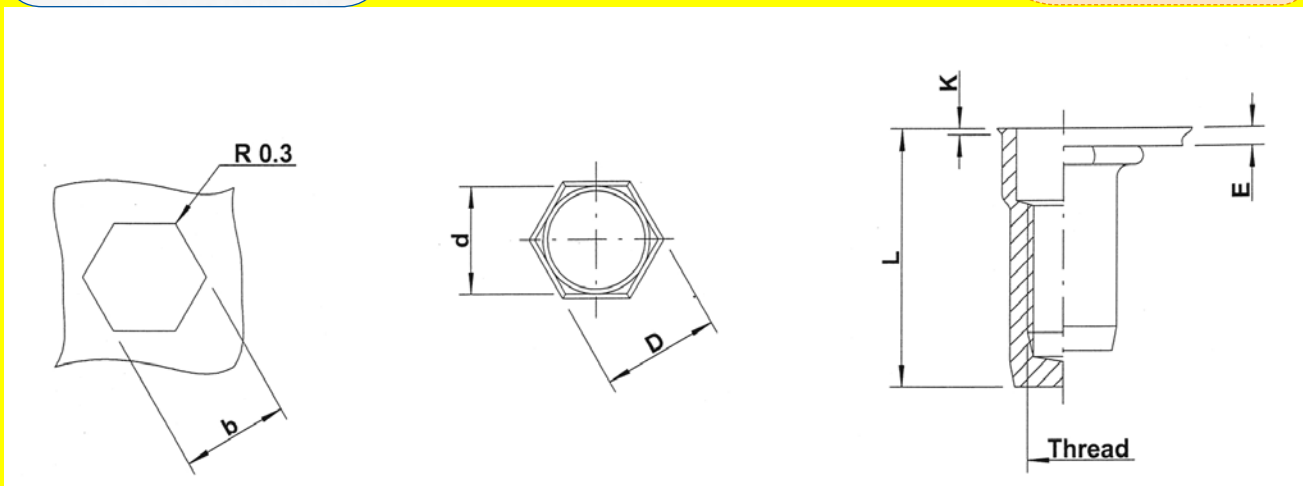
Stainless Steel 316

(contains > 2% Molybden)

Semi-hexagonal shank
 Low profile head
 Closed end

HUKX

extra high
 corrosion resistance



THREAD	TYPE	E = grip	L	b ^{+0,1} = hex hole	d = hex shank	D = hex head	K	kg/1000	ORDER CODE	BOX Q
M4	HUKX20	0,5-2,0	15,5	6,0	6,0	6,5	0,5	1,8	554 620	2500
M5	HUKX30	0,5-3,0	18,0	7,0	7,0	7,5	0,5	2,7	555 620	2000
	HUKX50	3,0-5,0	20,5					3,0	555 640	1500
M6	HUKX30	0,5-3,0	21,5	9,0	9,0	9,7	0,5	5,7	556 540	1000
	HUKX50	3,0-5,0	23,5					6,1	556 565*	-
M8	HUKX30	0,5-3,0	24,0	11,0	11,0	11,8	0,5	8,7	558 320	500
	HUKX55	3,0-5,5	26,5					9,1	558 340	500

* **Non-stock item:** minimum order quantity required after depletion of stock

M10: programme in progress

All dimensions in mm - Technical data subject to modification

Tolerances and characteristics see chapter 'Technical Information'



How to order or inquire: Please prefix the TUBTARA order code with 'R852-' example: R852-513550