

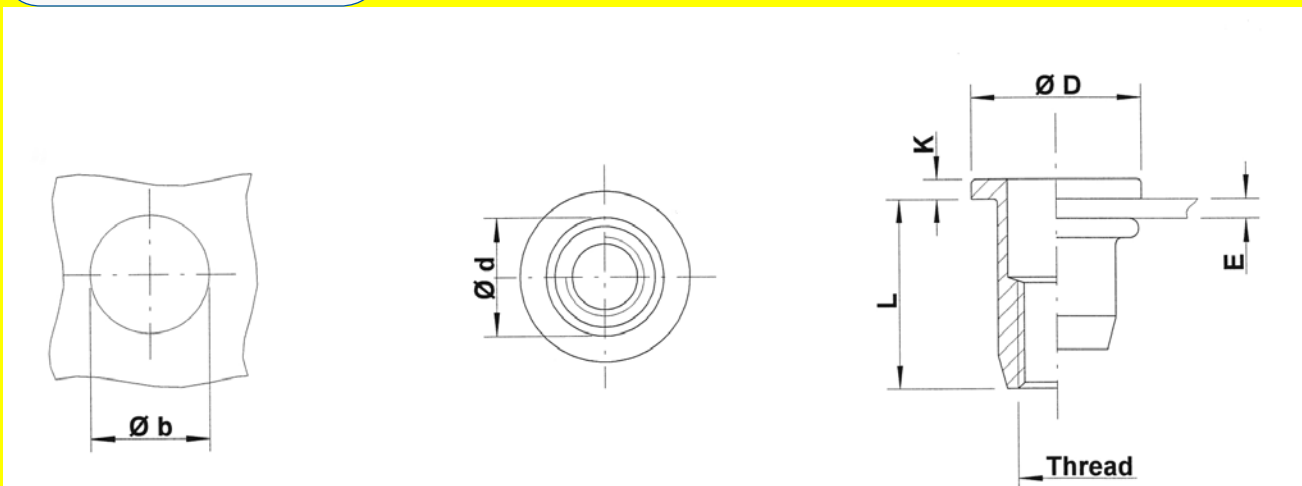


Steel

Round shank
 Flat head
 Open end

Zinktop 480h, Cr^{VI}- free

UPO / SPO



THREAD	TYPE	E = grip	L	b ^{+0,1} = drill dia	d = shank dia	D	K	kg/1000	ORDER CODE	BOX Q
M3	UPO20	0,5-2,0	9,75	5,0	5,0	8,0	0,75	1,0	523 029	10000
	UPO30	2,0-3,0	10,75					1,1	523 049	10000
M4	UPO30	0,5-3,0	10,75	6,0	6,0	10,0	0,75	1,5	524 029	5000
	UPO45	3,0-4,5	12,25					1,5	524 049	5000
M5	UPO30	0,5-3,0	12,0	7,0	7,0	11,0	1,0	2,1	525 029	4000
	UPO55	3,0-5,5	15,0					2,5	525 049	3000
M6	UPO30	0,5-3,0	14,5	9,0	9,0	13,0	1,5	4,3	526 029	2000
	UPO55	3,0-5,5	16,5					4,7	526 069	2000
	UPO80	5,5-8,0	19,0					5,0	526 089	1500
M8	UPO30	0,5-3,0	16,0	11,0	11,0	16,0	1,5	6,4	528 022	1250
	UPO55	3,0-5,5	18,5					7,0	528 069	1200
	UPO80	5,5-8,0	21,5					7,8	528 089	1000
M10	UPO35	0,8-3,5	19,75	12,5	12,4	18,5	2,25	9,8	520 029	750
	UPO60	3,5-6,0	22,75					10,8	520 049	700
M10	SPO35	0,8-3,5	21,0	13,0	13,0	19,0	2,0	11,4	520 609	750
	SPO60	3,5-6,0	24,0					12,1	520 629	500
M12	UPO40	1,0-4,0	25,0	16,0	16,0	23,0	2,0	19,6	522 029	400
	UPO70	4,0-7,0	28,0					21,1	522 059	300

All dimensions in mm - Technical data subject to modification
 Tolerances and characteristics see chapter 'Technical Information'



How to order or inquire: Please prefix the TUBTARA order code with 'R852-' example: R852-513550