

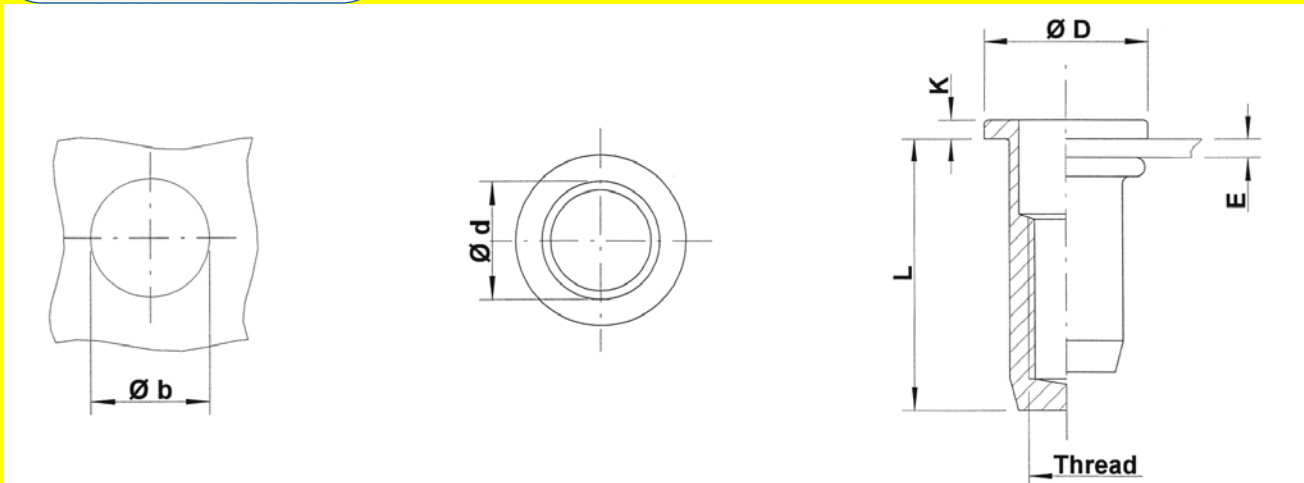


## Steel

Round shank  
 Flat head  
 Closed end

Zinktop 480h, Cr<sup>VI</sup>- free

UPX



THREAD	TYPE	E = grip	L	b <sup>+0,1</sup> = drill dia	d = shank dia	D	K	kg/1000	ORDER CODE	BOX Q
M4	UPX30	0,5-3,0	14,75	6,0	6,0	10,0	0,75	2,1	524 189	5000
	UPX45	3,0-4,5	16,25						524 229*	4000
M5	UPX30	0,5-3,0	18,0	7,0	7,0	11,0	1,0	3,4	525 169	2500
	UPX55	3,0-5,5	20,5						525 189	2500
M6	UPX30	0,5-3,0	21,5	9,0	9,0	13,0	1,5	6,8	526 169	1500
	UPX55	3,0-5,5	24,5						526 209	1250
M8	UPX30	0,5-3,0	22,5	11,0	11,0	16,0	1,5	9,7	528 189	1000
	UPX55	3,0-5,5	25,5						528 209	750

\* **Non-stock item:** minimum order quantity required after depletion of stock

All dimensions in mm - Technical data subject to modification

Tolerances and characteristics see chapter 'Technical Information'



How to order or inquire: Please prefix the TUBTARA order code with 'R852-' example: R852-513550