

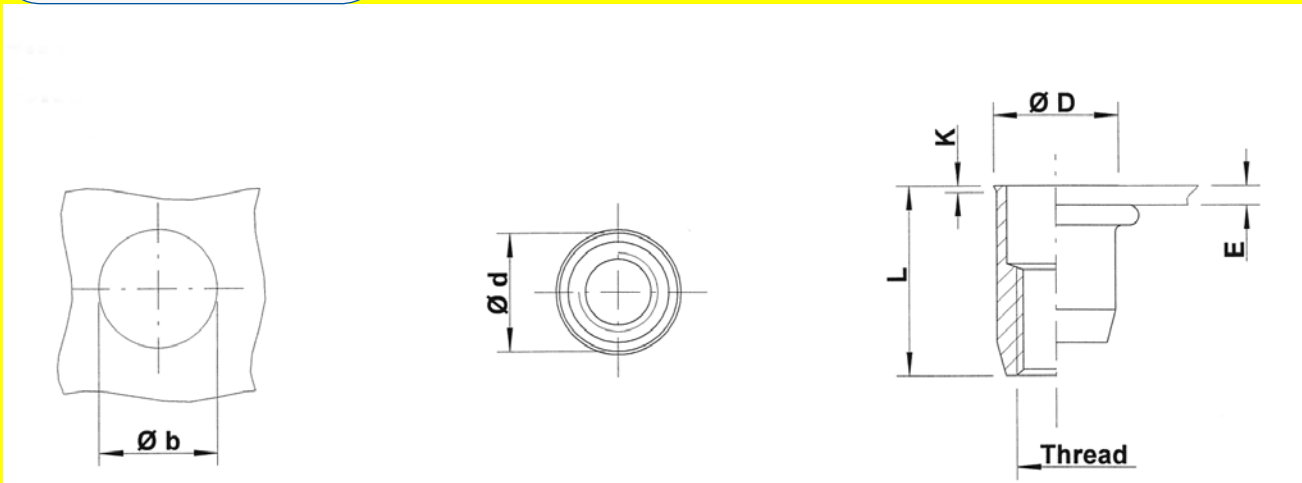


Steel

Round shank
 Low profile head
 Open end

Zinktop 480h, Cr^{VI} - free

UKO



THREAD	TYPE	E = grip	L	b ^{+0,1} = drill dia	d = shank dia	D	K	kg/1000	ORDER CODE	BOX Q
M4	UKO30	0,5-3,0	10,75	6,0	6,0	6,5	0,5	1,1	524 529	10000
	UKO50	3,0-5,0	12,75	6,0	6,0	6,5	0,5	1,2	524 539	7500
M5	UKO30	0,5-3,0	12,0	7,0	7,0	7,5	0,5	1,6	525 469	5000
	UKO55	3,0-5,5	15,0	7,0	7,0	7,5	0,5	1,8	525 489	4000
M6	UKO30	0,5-3,0	14,5	9,0	9,0	9,5	0,5	3,4	526 469	3000
	UKO55	3,0-5,5	16,5	9,0	9,0	9,5	0,5	3,7	526 489	2500
M8	UKO30	0,5-3,0	16,0	11,0	11,0	11,5	0,5	5,0	528 449	2000
	UKO55	3,0-5,5	18,5	11,0	11,0	11,5	0,5	5,5	528 459	1500
M10	UKO35	0,8-3,5	19,5	12,5	12,4	12,9	0,5	6,7	520 459	1250

All dimensions in mm - Technical data subject to modification
 Tolerances and characteristics see chapter 'Technical Information'



How to order or inquire: Please prefix the TUBTARA order code with 'R852-' example: R852-513550