



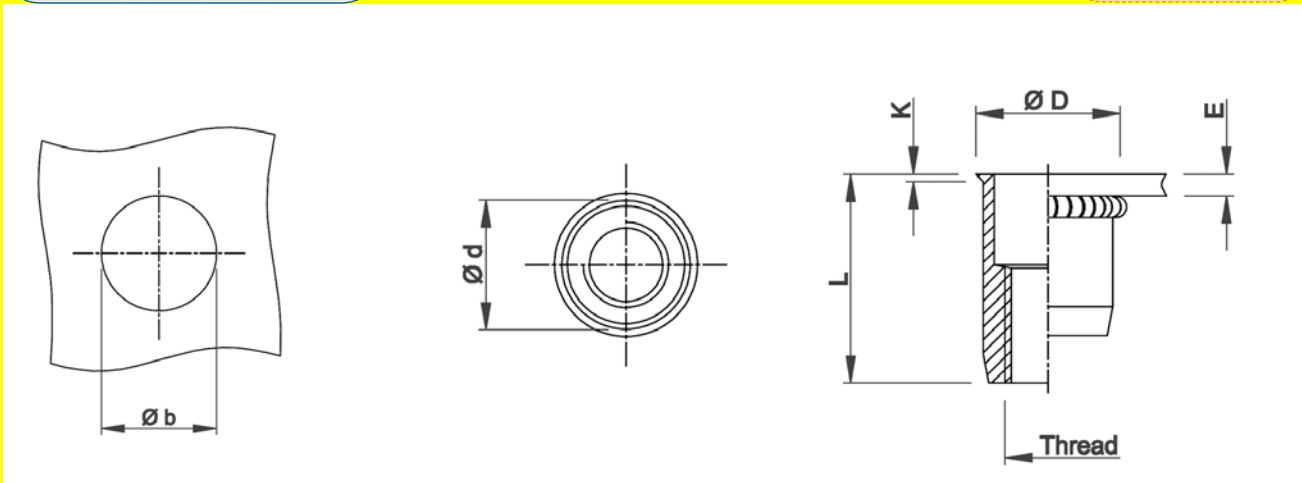
Steel

Knurled shank
 Low profile head
 Open end

Zinktop 480h, Cr^{VI}- free

UKO KN

improved
 nominal knurl



| THREAD | TYPE | E = grip | L | b ^{+0,1} = drill dia | d = shank dia | D | K | kg/1000 | ORDER CODE | BOX Q |
|--------|----------|-------------|-------|-------------------------------------|---------------------|------|-----|---------|---------------|----------|
| M4 | UKO30 KN | 0,5-3,0 | 10,75 | 6,0 | 6,0 | 6,5 | 0,5 | 1,1 | 524 5297 | 10000 |
| | UKO50 KN | 3,0-5,0 | 12,75 | | | | | 1,2 | 524 5397* | 7500 |
| M5 | UKO30 KN | 0,5-3,0 | 12,0 | 7,0 | 7,0 | 7,5 | 0,5 | 1,6 | 525 4697 | 5000 |
| | UKO55 KN | 3,0-5,5 | 15,0 | | | | | 1,8 | 525 4897* | 4000 |
| M6 | UKO30 KN | 0,5-3,0 | 14,5 | 9,0 | 9,0 | 9,5 | 0,5 | 3,4 | 526 4697 | 3000 |
| | UKO55 KN | 3,0-5,5 | 16,5 | | | | | 3,7 | 526 4897* | 2500 |
| M8 | UKO30 KN | 0,5-3,0 | 16,0 | 11,0 | 11,0 | 11,5 | 0,5 | 5,0 | 528 4497* | 2000 |
| | UKO55 KN | 3,0-5,5 | 18,5 | | | | | 5,5 | 528 4597* | 1500 |

* **Non-stock item:** minimum order quantity required after depletion of stock

KN programme in progress (also UFO version)

All dimensions in mm - Technical data subject to modification

Tolerances and characteristics see chapter 'Technical Information'



How to order or inquire: Please prefix the TUBTARA order code with 'R852-' example: R852-513550