

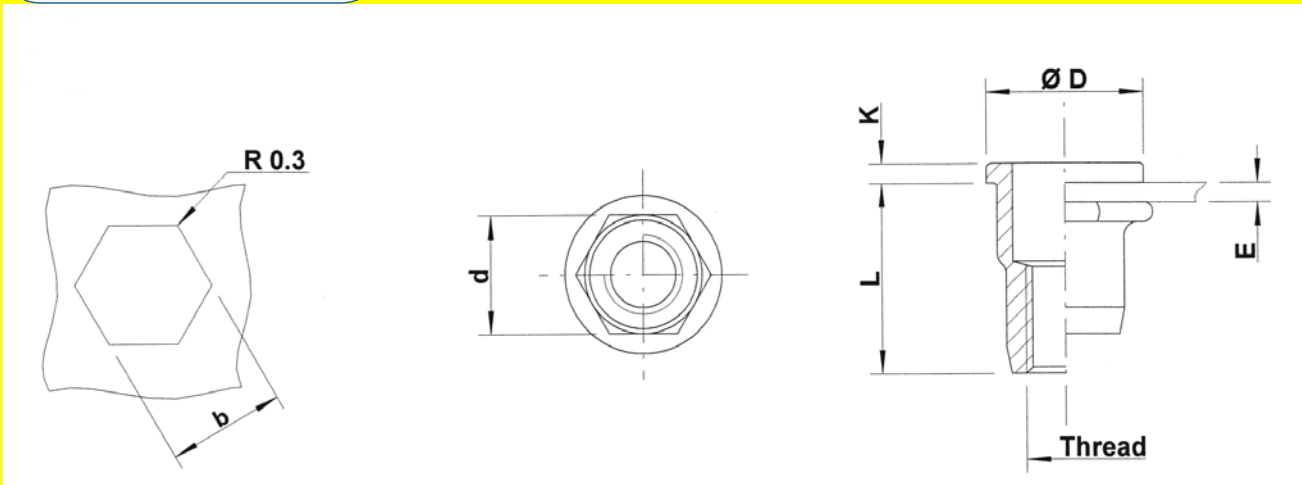


## Steel

Semi-hexagonal shank  
 Flat head  
 Open end

Zinktop 480h, Cr<sup>VI</sup>- free

HUPO



THREAD	TYPE	E = grip	L	b <sup>+0,1</sup> = hex hole	d = hex shank	D	K	kg/1000	ORDER CODE	BOX Q
M12	HUPO40	1,0-4,0	25,0	16,0	16,0	23,0	2,0	19,6	522 509	350

All dimensions in mm - Technical data subject to modification  
 Tolerances and characteristics see chapter 'Technical Information'



How to order or inquire: Please prefix the TUBTARA order code with 'R852-' example: R852-513550