

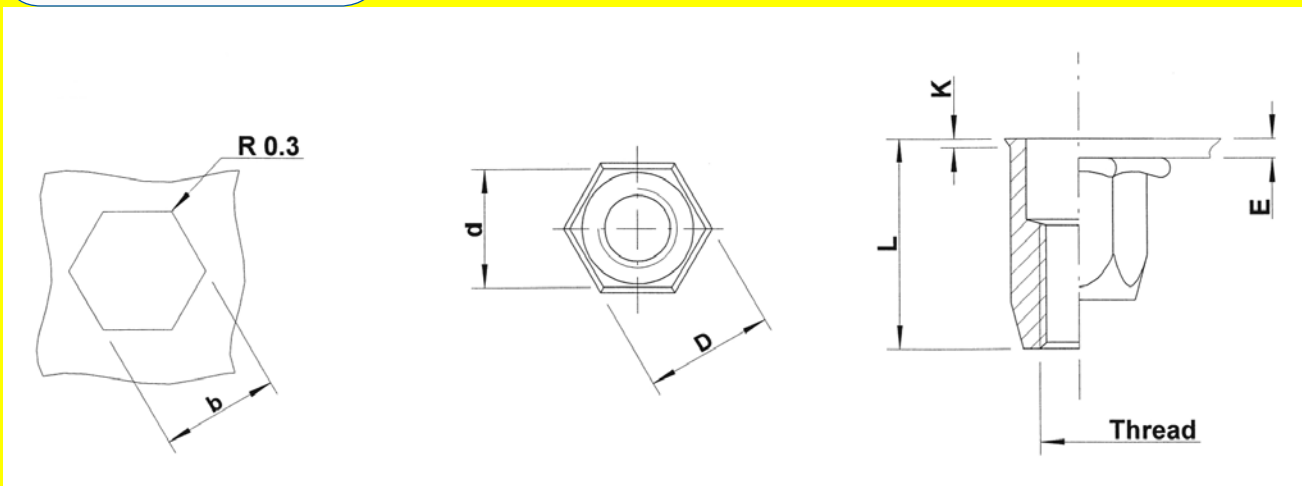


Steel

Full-hexagonal shank
 Low profile head
 Open end

Zinktop 480h, Cr^{VI}- free

HUKO / HSKO



THREAD	TYPE	E = grip	L	b ^{+0,1} = hex hole	d = hex shank	D = hex head	K	kg/1000	ORDER CODE	BOX Q
M4	HUKO20	0,5-2,0	11,0	6,0	6,0	6,6	0,6	1,2	524 629	7500
M5	HUKO30	0,5-3,0	14,0	7,0	7,0	7,7	0,6	2,0	525 609	5000
	HUKO55	3,0-5,5	16,5					2,3	525 629	4000
M6	HUKO30	0,5-3,0	16,0	9,0	9,0	9,8	0,7	4,2	526 589	2500
	HUKO55	3,0-5,5	18,5					4,6	526 609	2000
M8	HUKO30	0,5-3,0	18,0	11,0	11,0	11,8	0,7	6,2	528 549	1250
	HUKO55	3,0-5,5	20,5					6,9	528 569	1250
M10	HSKO35	0,8-3,5	23,0	13,0	13,0	13,8	0,7	10,5	520 669	750
	HSKO60	3,5-6,0	25,5					11,0	520 679	700

All dimensions in mm - Technical data subject to modification
 Tolerances and characteristics see chapter 'Technical Information'

Semi-hexagonal programme available on demand



How to order or inquire: Please prefix the TUBTARA order code with 'R852-' example: R852-513550