

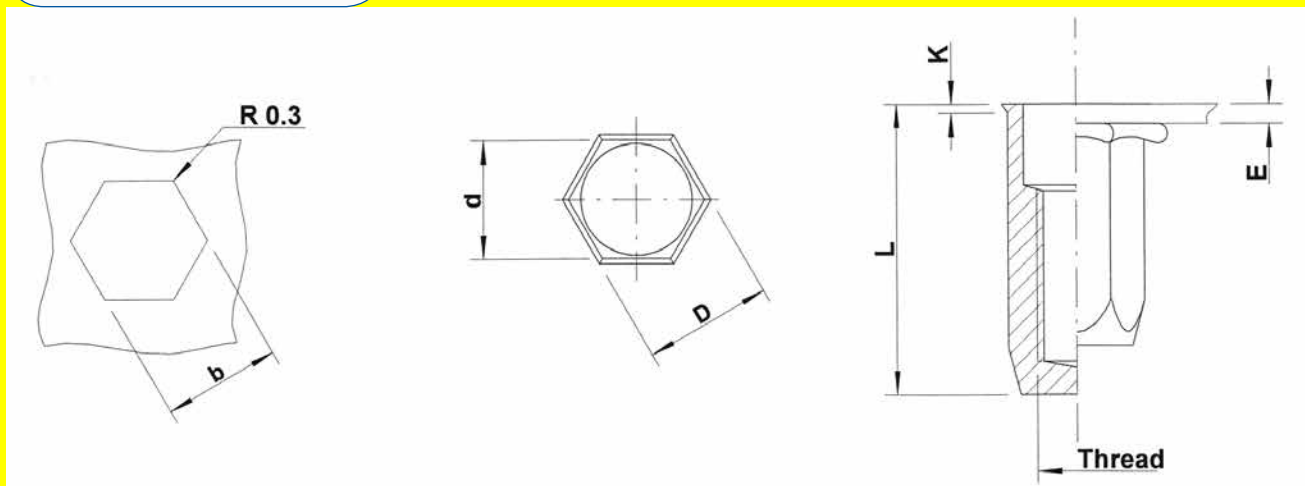


Steel

Full-hexagonal shank
 Low profile head
 Closed end

Zinktop 480h, Cr^{VI} - free

HUKX



THREAD	TYPE	E = grip	L	b ^{+0,1} = hex hole	d = hex shank	D = hex head	K	kg/1000	ORDER CODE	BOX Q
M4	HUKX20	0,5-2,0	15,5	6,0	6,0	6,6	0,6	2,0	524 649	5000
M5	HUKX30	0,5-3,0	20,0	7,0	7,0	7,7	0,6	3,3	525 649	3000
M6	HUKX30	0,5-3,0	22,0	9,0	9,0	9,8	0,7	6,6	526 629	1750
M8	HUKX30	0,5-3,0	25,0	11,0	11,0	11,8	0,7	10,5	528 589	1000
	HUKX55	3,0-5,5	27,5					10,7	528 590	750
M10	HSKX35	0,8-3,5	32,0	13,0	13,0	13,8	0,7	-	520 645	-

All dimensions in mm - Technical data subject to modification
 Tolerances and characteristics see chapter 'Technical Information'

Semi-hexagonal programme available on demand



How to order or inquire: Please prefix the TUBTARA order code with 'R852-' example: R852-513550