



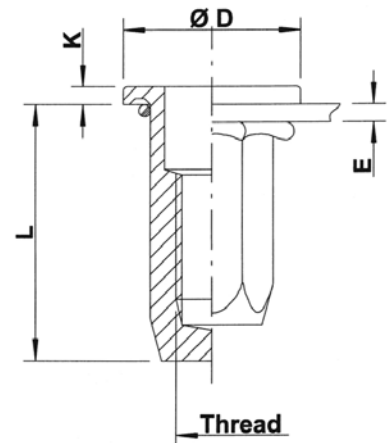
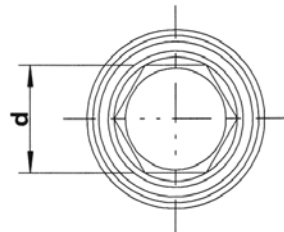
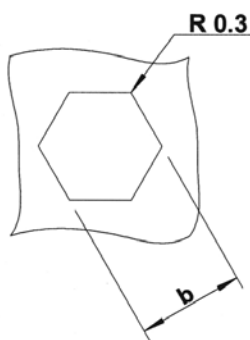
Steel

Full-hexagonal shank
 Flat head with underhead seal
 Closed end

Zinktop 480h, Cr^{VI} - free

HX

watertight
 10 bar (IP68¹)



THREAD	TYPE	E = grip	L	b ^{+0,1} = hex hole	d = hex shank	D	K	kg/1000	ORDER CODE	BOX Q
M5	HX3001	0,5-3,0	19,0	7,0	7,0	12,5	1,5	4,3	525 925*	2500
M6	HX3001	0,5-3,0	21,5	9,0	9,0	15,0	1,5	8,0	526 942	1250
M8	HX3001	0,5-3,0	26,7	11,0	11,0	20,0	2,0	14,8	528 935	500

* **Non-stock item:** minimum order quantity required after depletion of stock

All dimensions in mm - Technical data subject to modification
 Tolerances and characteristics see chapter 'Technical Information'

General and technical information (seal and storage): [see pg 61](#) and [pg 80](#)

¹ IP 68 guaranteed under Dejongd test conditions



How to order or inquire: Please prefix the TUBTARA order code with 'R852-' example: R852-513550