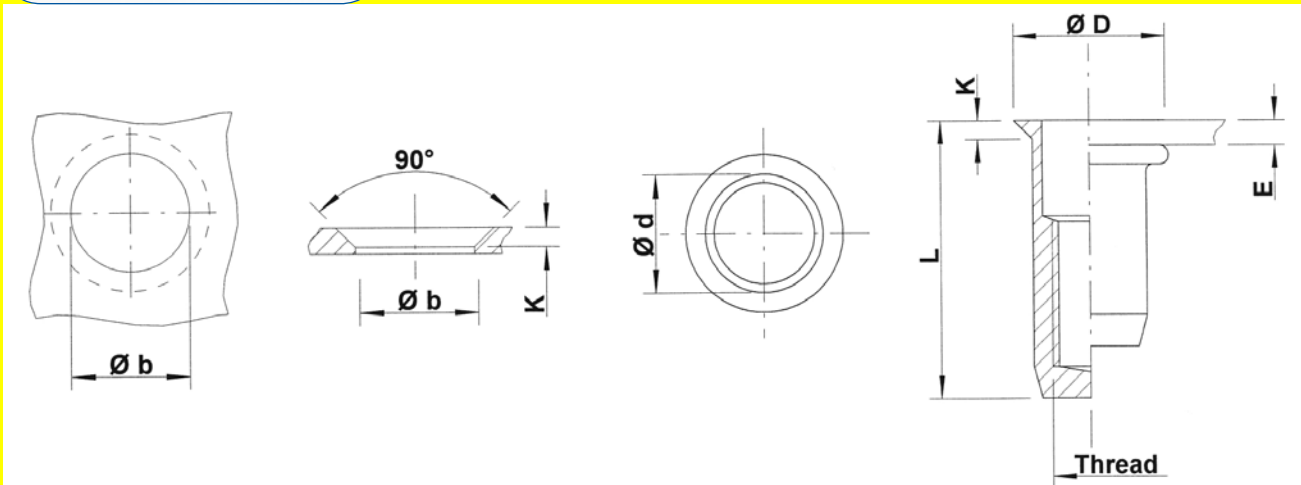




Aluminium

Round shank
 Countersunk head
 Closed end

UFX



THREAD	TYPE	E = grip	L	b ^{+0,1} = drill dia	d = shank dia	D	K	kg/1000	ORDER CODE	BOX Q
M4	UFX35	1,7-3,5	15,5	6,0	6,0	9,0	1,5	0,7	514 450	5000
	UFX50	3,5-5,0	17,0					0,7	514 475*	5000
M5	UFX40	1,7-4,0	18,0	7,0	7,0	10,0	1,5	1,0	515 375	3000
	UFX65	4,0-6,5	20,5					1,1	515 400*	3000
M6	UFX45	1,7-4,5	22,0	9,0	9,0	12,0	1,5	2,1	516 400	1500
	UFX65	4,5-6,5	24,0					2,3	516 425*	1500
M8	UFX45	1,7-4,5	25,0	11,0	11,0	14,0	1,5	3,3	518 325*	1000
	UFX65	4,5-6,5	28,0					3,7	518 350*	750

* **Non-stock item:** minimum order quantity required after depletion of stock

All dimensions in mm - Technical data subject to modification
 Tolerances and characteristics see chapter 'Technical Information'



How to order or inquire: Please prefix the TUBTARA order code with 'R852-' example: R852-513550