

Materials

The **Tubtara**® is available from stock in steel, aluminium and stainless steel 304 & 316.

For critical bearing environments, we can also offer the following solutions to cope with most environmental conditions :

- superior cold formed stainless A5 or A6 quality on demand,
- several finishing options on stainless like Cadmium, ZnNi, Seal Inox®,
- passivated stainless steel.

Available from stock:

Material			W Nr
Aluminium	AlMg2,5	5052	3.3523
Steel	C8C	QST 34-3	1.0213
Stainless steel A2	304Cu		1.4567
Stainless steel A4	316Cu		1.4578

Available on request :

Material		W Nr
Stainless steel A5	316Ti	1.4571
Stainless steel A6	904L	1.4539

Material specifications are always subject to modifications.

• How to choose the right material ?

A proper choice of the right material and coating of the **Tubtara**® is very important to obtain optimal functionality during the whole life cycle, especially when environmental conditions are unknown or critical. Influences can be chemical (in water dissolved elements), abrasive (sand), heat, friction, contact with other metals, corrosive environments etc.



● Requirements & solutions

	Aluminium	Steel with appropriate coating	Stainless A2	Stainless A4	Stainless A5	Stainless A6
colour distinction		xxx				
visual identification		xxx				
weight-saving	xxx		x	x	x	x
durable	x	x → xxx	xx	xxx	xxx	xxx
easily recycable	xxx	xxx	xxx	xxx	xxx	xxx
electrical conductivity	xxx	xx	xx	xx	xx	xx
high/low temperature properties	x	xx	xx	xxx	xxx	xxx
non-magnetic	xxx		x	x	x	x
increased corrosion resistance	xx	o	xxx	xxx	xxx	xxx
resistant to atmospheric exposure	xx	o	xxx	xxx	xxx	xxx
resistant to chloride atmospheres		o		xxx	xxx	xxx
resistant to polluted environments		o		xxx	xxx	xxx
resistant to harsh environments		o			xxx	xxx
resistant to process fluids		o			xxx	xxx
top coating possible		xxx				
passivation possible			x	x	x	x

Legend	
o	possible influence
x	small influence
xx	larger influence
xxx	largest influence

● Galvanic couples

A suited material choice is not always easy and all conditions should be taken into account. The table below shows some connection guidelines for corrosion:

		Blind rivet nut material		
		zinc plated steel	aluminium	stainless steel 304 & 316
base metal wherein Tubtara is set	aluminium			
	zinc plated steel			
	brass, copper	T T®	T T®	
	stainless steel 4xx	T T®	T T®	
	stainless steel 304 & 316	T T®	T T®	

Legend	
	base metal and Tubtara ® ok
	base metal corrodes where in contact with Tubtara ®
T T®	base metal ok but Tubtara ® will corrode
	corrosion base metal heavily increased by Tubtara ®

We strongly advise to do some tests in the specific application environment. Samples are available on request.

Coatings

A suitable coating choice can offer additional characteristics to your **Tubtara®**.

- Coating on steel available from stock

Zinktop

High-quality Cr⁶⁺ & Ni free plating
 Conforms with ROHS 2, Reach, ELV directives
 96 h white rust - 480 h red rust
 10µ ±2µ

- Survey available coating offer



photo	coating description	standard / on request	salt spray test (h) ISO 9227		colour / aspect	corrosion protection	RoHS / Reach compliant	remarks
			white rust	red rust				
1	Zinc blue/white Cr ³⁺	REQ	24	72	blue/white	*	<input checked="" type="checkbox"/>	Cr ⁶⁺ free
2	Zinc black Cr ³⁺	REQ	48	96	black	*	<input checked="" type="checkbox"/>	Cr ⁶⁺ free
3/4	Zinc yellow Cr ⁶⁺ *	ST	96	240	yellow	***	<input type="checkbox"/>	phase out 2017*
5	Zinktop	ST	96	480	light grey	****	<input checked="" type="checkbox"/>	Cr ⁶⁺ and Ni free
6	Zinktop Cobalt free	REQ	96	480	light grey	****	<input checked="" type="checkbox"/>	Cr ⁶⁺ , Ni and Co free
7	Ultra 1000	REQ	240	1000	matt grey	*****	<input checked="" type="checkbox"/>	Cr ⁶⁺ and Ni free
8	ZnNi (Zinc Nickel)	REQ	quality according to customer's specs					
9	Vibraseal®	REQ	x	x	red, green			seals + anti-vibration
10	Gleitmo®	REQ	x	x	-			friction reduction
-	Seal inox®	REQ	x	x	-			avoids galling stainless steel

The Ultra 1000 is more than doubling the resistance to red rust in the salt spray test compared to the standard Zinktop. The offer of blue and black trivalent coatings, as well as the Cobalt free Zinktop, are developed to tackle imminent Reach regulations and can be delivered on demand.

* Zinc yellow Cr⁶⁺ plating is no longer standard and has been omitted from this catalogue.

Due to REACH phase out, production of steel yellow hexavalent chromated parts is being cut back, to discontinue completely latest March 21st, 2016 (latest application date).

For availability, only until depletion of stock and not later than September 21st, 2017 (sunset date), please contact our customer service.

How to order or inquire: Please prefix the TUBTARA order code with 'R852-' example: R852-513550

● Stainless Steel

All stainless steel Tubtara's have been treated by a special process to obtain a natural passivation layer, improving the corrosion resistance compared to common stainless steel parts in the market.

Optional coatings on stainless steel are

- Gleitmo® / Seal Inox®
- full passivation.

● Why use a coating ?

Requirements & solutions :

	Zinktop on steel	Coloured plating on steel	Passivation on stainless steel	Gleitmo®	Vibraseal®	Seal Inox®	Molykote®
appropriate visual aspects		+					
colour distinction		+			o	o	
to avoid galling				+		+	+
reduction of friction				+		+	+
increase of friction				-		-	-
to avoid galvanic couple	o	o	+		+	+	
electrical conductivity	+				-	-	-
anti-vibration function					+		
increased corrosion resistance	+		+			+	
seal function					+	+	
UV illumination				+			

Legend	
-	negative influence
o	possible influence
+	positive influence

We strongly advise to do some tests in the specific application environment.
 Samples are available on request.



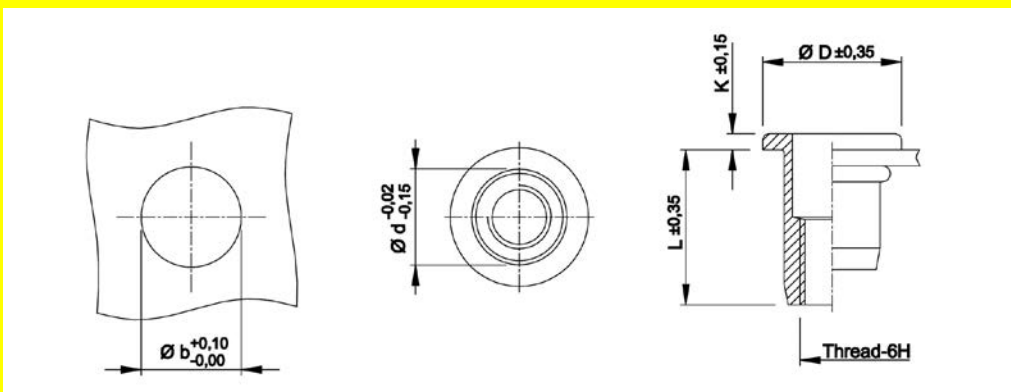
How to order or inquire: Please prefix the TUBTARA order code with 'R852-' example: R852-513550

Technical Data

● General tolerances

	Head form	Dimensions in mm	Dimensions in inches
D (head diameter)	Flat head Countersunk head Low profile head	$\pm 0,35$ $0 -0,5$ $-0,15 +0,3$	$\pm .014$ $0 -.020$ $-.006 +.012$
K (head thickness)	Flat head Countersunk head Low profile head	$\pm 0,15$ $0 +0,3$ $-0,05 +0,3$	$\pm .006$ $0 +.012$ $-.002 +.012$
L (length)	General Stainless M10 shank 13 mm	$\pm 0,35$ $\pm 0,5$	$\pm .014$ $\pm .020$
Metric thread= 6H			
Shank size	General (incl. KN) Splined shank (RS) M10 shank 12,4 mm	$-0,02 -0,15$ $\pm 0,08$ $\pm 0,08$	$-.001 -.006$ $\pm .003$ $\pm .003$

Example:



● Recommended tightening torque values (Nm)

Max. recommended torque to avoid damaging the threaded connection and ensure optimal screw-nut assembly:

	M3	M4	M5	M6	M8	M10	M12
Aluminium	2,0	2,2	4,5	9,5	17,0	30,0	
Steel	2,5	3,0	5,9	11,0	25,0	49,0	80,0
Stainless Steel	2,5	3,0	5,9	11,0	25,0	49,0	

Recommendations for 8.8 bolts in steel and class A2-70 bolts in stainless steel.

● Mechanical properties

The tables below show some indicative standard values for Tubtara's with round or hexagonal shank and flat head in first grip:

Mechanical reference values

product	material	pull-out	max. torque	torque-to-turn	shear test
		kN	Nm	Nm	kN
Round shank					
	Steel C8C	> 5,8	> 2,0	1,8	1,9
M3 UPO 20	Alu 5052	> 3,1	1,9	0,8	0,6
	SS 304Cu	-	-	-	-
M4 UPO 30	Steel C8C	> 10,8	> 7,5	2,7	2,6
M4 UPO 30	Alu 5052	> 4,5	4,9	1,4	1,1
M4 UPO 20	SS 304Cu	> 11,0	7,1	2,6	3,5
	Steel C8C	> 12,0	> 10,0	4,7	3,5
M5 UPO 30	Alu 5052	> 5,2	4,9	1,5	1,6
	SS 304Cu	> 14,5	> 16,0	3,0	4,8
	Steel C8C	> 21,0	> 19,0	7,0	5,0
M6 UPO 30	Alu 5052	> 10,5	16,0	3,2	2,4
	SS 304Cu	> 27,0	> 22,0	6,8	7,3
	Steel C8C	> 33,0	> 50,0	13,0	6,0
M8 UPO 30	Alu 5052	> 15,0	33,0	5,3	2,9
	SS 304Cu	> 40,0	> 70,0	9,0	9,0
	Steel C8C	> 40,0	> 70,0	15,0	8,0
M10 UPO 35	Alu 5052	> 20,0	39,5	7,0	3,7
	SS 304Cu	> 43,0	> 70,0	8,0	8,5
	Steel C8C	> 40,0	> 70,0	15,0	8,0
M10 SPO 35	Alu 5052	-	-	-	-
	SS 304Cu	> 43,0	> 70,0	13,0	8,4
	Steel C8C	> 63,0	> 150,0	32,0	11,5
M12 UPO 40	Alu 5052	-	-	-	-
	SS 304Cu	-	-	-	-
Hexagonal shank					
M4 HUPO 20	Steel C8C	> 8,8	> 7,5	> 5,5	2,6
	SS 304Cu	> 10,8	> 7,1	6,0	3,7
M5 HUPO 30	Steel C8C	> 12,0	12,0	> 6,5	3,6
	SS 304Cu	> 15,5	15,0	> 9,0	4,8
M6 HUPO 30	Steel C8C	23,0	> 24,5	> 21,0	5,1
	SS 304Cu	24,5	> 23,0	> 22,0	7,2

product	material	pull-out	max. torque	torque-to-turn	shear test
		kN	Nm	Nm	kN
M8 HUPO 30	Steel C8C	32,8	> 50,0	> 30,0	6,6
	SS 304Cu	39,0	> 64,0	32,0	9,4
M10 HSPO 35	Steel C8C	> 40,0	> 70,0	50,0	7,9
	SS 304Cu	> 43,0	> 70,0	> 50,0	10,2
M12 HUPO 40	Steel C8C	> 63,0	> 150,0	68,0	12,5
	SS 304Cu	-	-	-	-

- Bolts class 8.8 were used
- > : value will be higher, but test could not be completed due to breakage of bolt or min. value is used as reference
- Steel plate (HRB 55) was used to set the **Tubtara®** (approximately middle of grip range)

Geometrical reference values (open end parts)

product	material	setting force	stroke	size bulb forming	length under plate
		kN	mm	mm	mm
Round shank					
	Steel C8C	4,0	2,6	6,6 to 6,7	5,9 to 6,1
M3 UPO 20	Alu 5052	2,3	1,9	6,0 to 6,1	6,4 to 6,6
	SS 304Cu	-	-	-	-
M4 UPO 30	Steel C8C	4,5	2,8	7,8 to 7,9	6,7 to 6,8
M4 UPO 30	Alu 5052	2,2	2,7	7,7 to 7,8	6,8 to 7,0
M4 UPO 20	SS 304Cu	6,0	2,4	7,3 to 7,4	7,6 to 7,8
	Steel C8C	6,5	3,8	9,4 to 9,5	7,3 to 7,4
M5 UPO 30	Alu 5052	3,4	3,6	9,3 to 9,4	7,3 to 7,4
	SS 304Cu	8,0	3,5	8,9 to 9,2	7,3 to 7,5
	Steel C8C	9,5	4,0	11,6 to 11,8	9,3 to 9,6
M6 UPO 30	Alu 5052	4,9	3,3	11,2 to 11,3	10,0 to 10,2
	SS 304Cu	13,0	4,0	11,3 to 11,6	9,6 to 10,0
	Steel C8C	12,0	4,0	13,6 to 13,8	10,9 to 11,2
M8 UPO 30	Alu 5052	5,5	3,8	13,6 to 13,8	11,1 to 11,3
	SS 304Cu	15,4	4,2	13,6 to 13,7	11,3 to 11,6
	Steel C8C	14,5	4,4	15,7 to 15,8	14,4 to 14,5
M10 UPO 35	Alu 5052	8,0	4,7	15,6 to 15,9	14,1 to 14,4
	SS 304Cu	15,5	4,0	14,8 to 15,0	13,6 to 14,0
	Steel C8C	15,5	4,5	16,1 to 16,3	15,5 to 15,7
M10 SPO 35	Alu 5052	-	-	-	-
	SS 304Cu	23,5	4,6	15,9 to 16,1	16,6 to 16,9

How to order or inquire: Please prefix the TUBTARA order code with 'R852-' example: R852-513550

product	material	setting force	stroke	size bulb forming	length under plate
		kN	mm	mm	mm
	Steel C8C	20,5	6,5	20,8 to 21,0	17,5 to 18,0
M12 UPO 40	Alu 5052	-	-	-	-
	SS 304Cu	-	-	-	-
Hexagonal shank					
M4 HUPO 20	Steel C8C	5,5	2,8	7,6 to 8,3	6,1 to 6,4
	SS 304Cu	5,3	2,5	7,5 to 7,9	7,5 to 7,9
M5 HUPO 30	Steel C8C	6,1	4,0	9,8 to 10,4	7,8 to 8,2
	SS 304Cu	7,2	3,3	9,1 to 9,5	7,1 to 7,3
M6 HUPO 30	Steel C8C	11,5	3,6	11,4 to 12,5	9,7 to 10,1
	SS 304Cu	10,0	4,3	11,9 to 12,3	9,0 to 9,3
M8 HUPO 30	Steel C8C	14,0	4,6	14,3 to 15,4	10,7 to 11,1
	SS 304Cu	14,0	4,5	14,0 to 14,5	10,7 to 11,1
M10 HSPO 35	Steel C8C	13,0	5,5	17,5 to 18,6	14,4 to 14,7
	SS 304Cu	19,0	6,0	17,0 to 17,6	16,0 to 16,7
M12 HUPO 40	Steel C8C	21,0	6,6	20,7 tot 21,6	15,0 to 16,1
	SS 304Cu	-	-	-	-

Length under plate of open end parts: values obtained after setting.

To obtain the length under the plate after setting of **closed end parts**, you can add the following sizes to the above-mentioned:

Steel and aluminium (mm)	
M3	3,5
M4	4,5
M5	6,0
M6	7,0
M8	8,0
M10	10,0
M12	10,0

Stainless steel (mm)	
M4	4,5
M5	6,0
M6	7,0
M8	8,0
M10	7,0

In some cases the real length will be shorter. All dimensions can be checked on the technical data sheets in our catalogue.

Variations due to setting and environmental conditions can be expected in practice. The values can be used as reference and optimized by using additional features.

Grip range influences

The following values can be used as a guidance for other versions :

TYPE	Grip	ALUMINIUM			STEEL			STAINLESS STEEL 304 + 316		
		SETTING FORCE	STROKE	PULL-OUT	SETTING FORCE	STROKE	PULL-OUT	SETTING FORCE	STROKE	PULL-OUT
	mm	N	mm	N	N	mm	N	N	mm	N
M3 UPO 20	1,0	2000	2,0	3750	4000	2,5	> 5000			
	2,0	2600	1,5	3280	4750	2,0	> 5000			
M3 UPO 30	2,0	1850	1,5	3900	3700	2,5	> 5000			
	3,0	2050	1,0	3968	4750	2,0	> 5000			
M4 UPO 20	1,0							4900	2,0	> 9000
	2,0							5500	1,5	> 9000
M4 UPO 30	1,0	2100	3,0	5170	4300	2,5	> 8000			
	3,0	2430	1,0	4330	5650	1,5	> 8000			
M4 UPO 35	2,0							5500	2,6	> 9000
	3,5							6000	1,7	> 9000
M4 UPO 45	3,0	2050	2,8	4838	4200	2,5	> 8000			
	4,5	2875	1,5	4421	5000	1,5	> 8000			
M5 UPO 30	1,0	3050	3,5	5500	6150	3,5	12240	7500	3,0	> 15000
	3,0	3650	2,0	5000	7200	2,5	9600	8500	1,7	> 15000
M5 UPO 50	3,0							7500	4,0	> 15000
	5,0							8500	2,0	> 15000
M5 UPO 55	3,0	3000	3,5	6450	5750	4,0	11800			
	5,5	4300	1,5	5525	9650	2,0	10300			
M6 UPO 30	1,0	4500	3,0	11000	9400	4,0	21200	11850	4,0	> 24000
	3,0	5750	2,0	10000	12000	3,0	18500	14460	3,0	> 24000
M6 UPO 50	3,0							13500	4,5	> 24000
	5,0							15000	2,8	> 24000
M6 UPO 55	3,0	4500	3,5	11000	9000	3,5	22700			
	5,5	6100	1,8	10000	11000	2,0	19700			
M6 UPO 80	5,5	4950	4,7	9160	8700	4,0	19900			
	8,0	5400	2,0	8200	11750	2,5	17200			
M8 UPO 30	1,0	5000	3,0	14900	11500	4,0	30400	14500	4,2	> 41000
	3,0	6600	2,0	14000	13750	2,5	26100	18000	2,8	> 41000
M8 UPO 55	3,0	5400	4,0	15500	11500	4,0	32500	14500	5,5	> 41000
	5,5	7400	2,0	11200	15500	2,5	31900	18500	3,0	> 41000

How to order or inquire: Please prefix the TUBTARA order code with 'R852-' example: R852-513550

TYPE	Grip	ALUMINIUM			STEEL			STAINLESS STEEL 304 + 316		
		SETTING FORCE	STROKE	PULL-OUT	SETTING FORCE	STROKE	PULL-OUT	SETTING FORCE	STROKE	PULL-OUT
	mm	N	mm	N	N	mm	N	N	mm	N
M8 UPO 80	5,5	5900	4,0	16100	10700	4,0	32400			
	8,0	7850	2,0	13600	14700	2,5	26500			
M10 UPO 30	1,0							14500	3,5	> 45000
	3,0							18500	2,5	> 45000
M10 UPO 35	1,0	6750	4,0	22100	13600	4,5	39600			
	3,5	9000	2,5	17700	17000	2,5	32400			
M10 UPO 50	3,0							14500	3,5	> 39500
	5,0							18500	2,5	> 37000
M10 UPO 60	3,5	9000	5,0	25250	14900	4,0	42300			
	6,0	13000	3,0	23000	17900	2,5	31700			
M10 SPO 35	1,0				13500	4,5	40500	19500	4,5	> 45000
	3,5				16100	2,5	36100	26500	3,5	> 45000
M10 SPO 60	3,5				15900	5,5	48000			
	6,0				20400	3,0	37500			
M12 UPO 40	1,0				19500	5,5	> 50000			
	4,0				25000	4,0	> 50000			
M12 UPO 70	4,0				19500	5,5	> 50000			
	7,0				25000	4,0	> 50000			

Setting Force or Upset Load: Force (in Newton) necessary to deform the **Tubtara®** referred to in an adequate way.

Upset Stroke: Stroke (in mm) that should be set on the setting tool to give the **Tubtara®** referred to, the adequate deformation.

Pull-out or Ultimate Thread Strength: Surpassing this ultimate force (in Newton), the thread of the set **Tubtara®** will be pulled out.

The mentioned values are average reference values only.

We strongly advise the customer to do his own tests in the proper material thickness and specific application.

● Testing methods

In addition to the standard inspections during the production process the following tests can be done on customer's request :

- Pull-out test
- Maximum torque
- Push-out test
- Shear test
- Torque-to-turn
- Length under plate
- Size bulb forming

● HX Tubtara® with seal under the head

Information about NBR O-Ring & compatibility with other products					
Shore Hardness	70 - 95	Aromatic Hydrocarbons	x	Lye	x
Hydraulic fluids	xxxx	Aliphatic Hydrocarbons	xxx	Chlorinated Hydrocarbons	x
Fuel Oils	xx	Water under 80°C	xxx	Ozone & Sunlight	x
Organic Oils	xxxx	Water over 80°C	x	Temperature range °C	-35 +120
Brake Fluid	-	Alcohols	xx	Electr. properties	-
Silicone & Grease	xx	Ketone	-	Compression sets	xxx
Gasoline	xxx	Acid (concentrated)	-	Flame resistance	No
Aromatic fluids up to 50 %	xx	Acid (diluted)	x		
Kerosene	xxx				

Key: xxxx very good --> x satisfactory - not suitable.

Storage: protect against UV-light; store in a dry and dark place (all boxes are marked)

Seals in other materials like Viton on request.

● (H)DPX Tubtara® with seal under the head

Information about the non-reactive, peripheral seal, made of flexible organic based material:

Material	Polyurethane	Reusability	yes
Colour	blue	Bead form	concave
Sealing capacity	> 150 bar	Cure method	heat cure
Temperature range	-40 +100 °C	Waterproof	IP67 *
Shore hardness	50/65 A range		

Compatibility with other products : resistant to many automotive oils, antifreeze and transmission fluids.

* The seal reassures an IP67 waterproof Tubtara®-sheet assembly if correctly installed (only guaranteed under Dejong test conditions, certificates available)

Storage : min. 4 years shelf-life if stored in dry conditions (room temperature)

How to order or inquire: Please prefix the TUBTARA order code with 'R852-' example: R852-513550

● Conversion table

Multiply	by	To get
millimeter (mm)	.03937	inch (in)
inch (in)	25,4	millimeter (mm)
kilogram (kg)	2,2046	pound (lb)
pound (lb)	0,4536	kilogram (kg)
Newton (N)	0,2248	pound-force (lbf)
Newton metre (Nm)	8,8507	pound-inch (Lb-In)

3D drawings

See our website www.tubtara.com and click on '3D drawings'

3D and 2D drawings available for all **Tubtara**® stainless steel blind rivet nuts:

- downloadable in installed or uninstalled condition
- user input option for exact grip
- numerous formats (DWG, STP, SolidWorks, Autodesk, Spaceclaim, AutoCAD etc.)
- possibility to insert the **Tubtara**® CAD drawing directly into the product design



External website hosted by "Traceparts online":

www.tracepartsonline.net/ws/dejond

Quality

Statements on Reach / RoHS / Conflict Minerals:

- see our website www.tubtara.com and click on 'Quality'
- contact our customer service for updated information.

EN 9100:2009 - AS 9100C - JISQ 9100:2009 certified



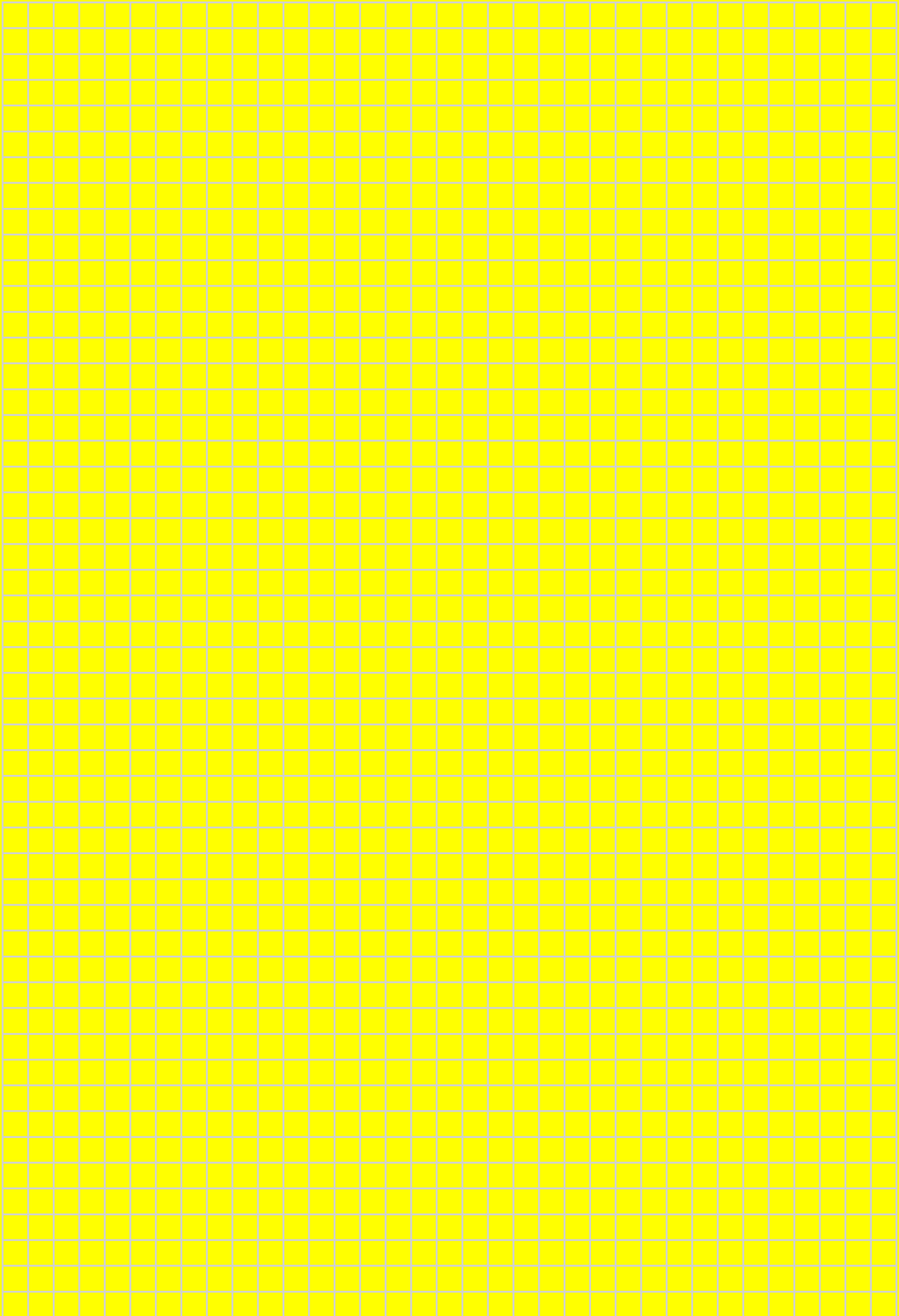
DEJOND IS NOT LIABLE FOR ANY PRINTING ERRORS AND RESERVES THE RIGHT TO CHANGE ALL DATA CONTAINED IN THIS CATALOGUE WITHOUT PRIOR NOTICE

Information cannot be copied or reproduced without permission of Dejong nv

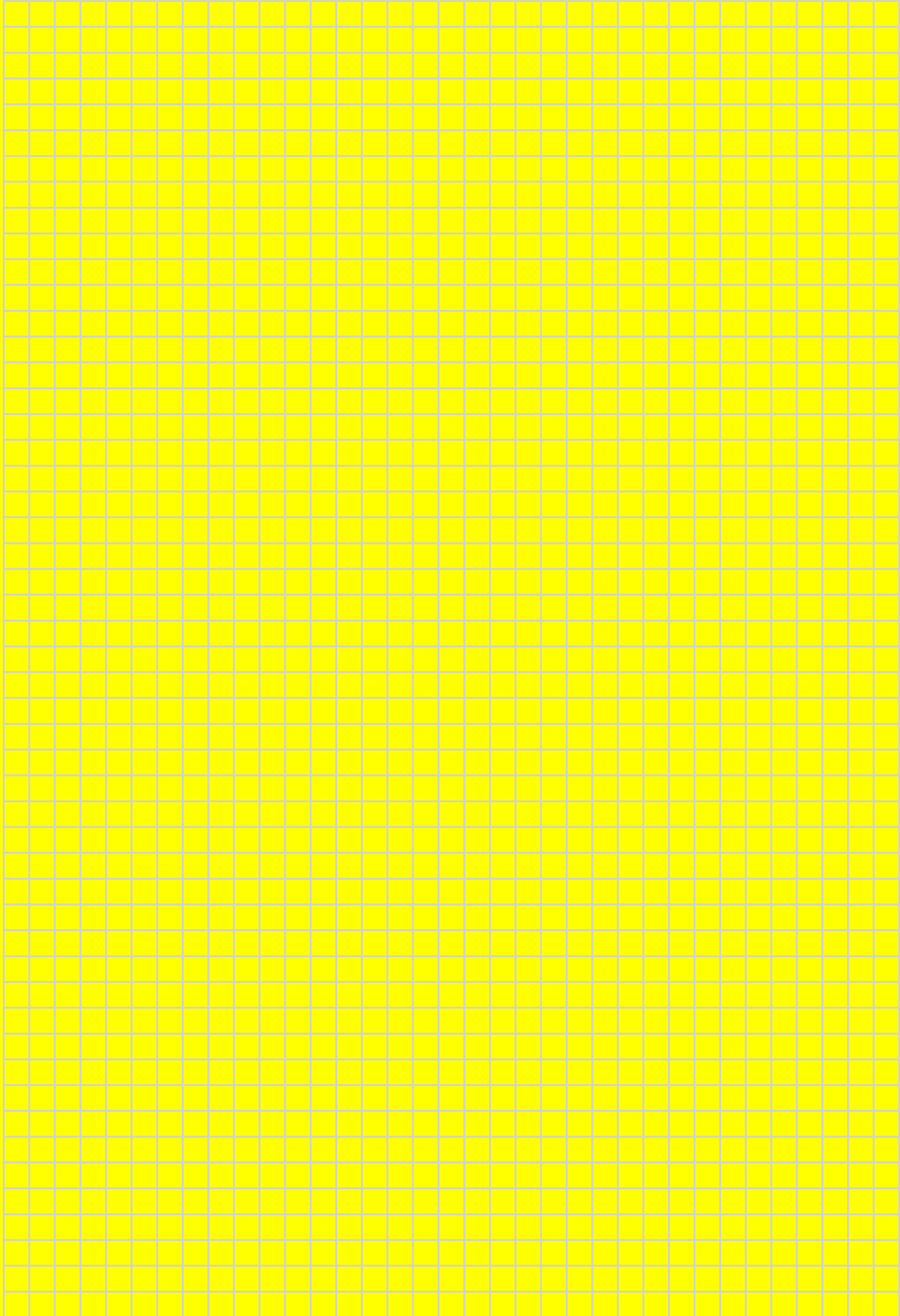
General conditions available on our website www.dejong.com

Any dispute will fall within the exclusive jurisdiction of the courts of Antwerp

How to order or inquire: Please prefix the TUBTARA order code with 'R852-' example: R852-513550



How to order or inquire: Please prefix the TUBTARA order code with 'R852-' example: R852-513550



How to order or inquire: Please prefix the TUBTARA order code with 'R852-' example: R852-513550