

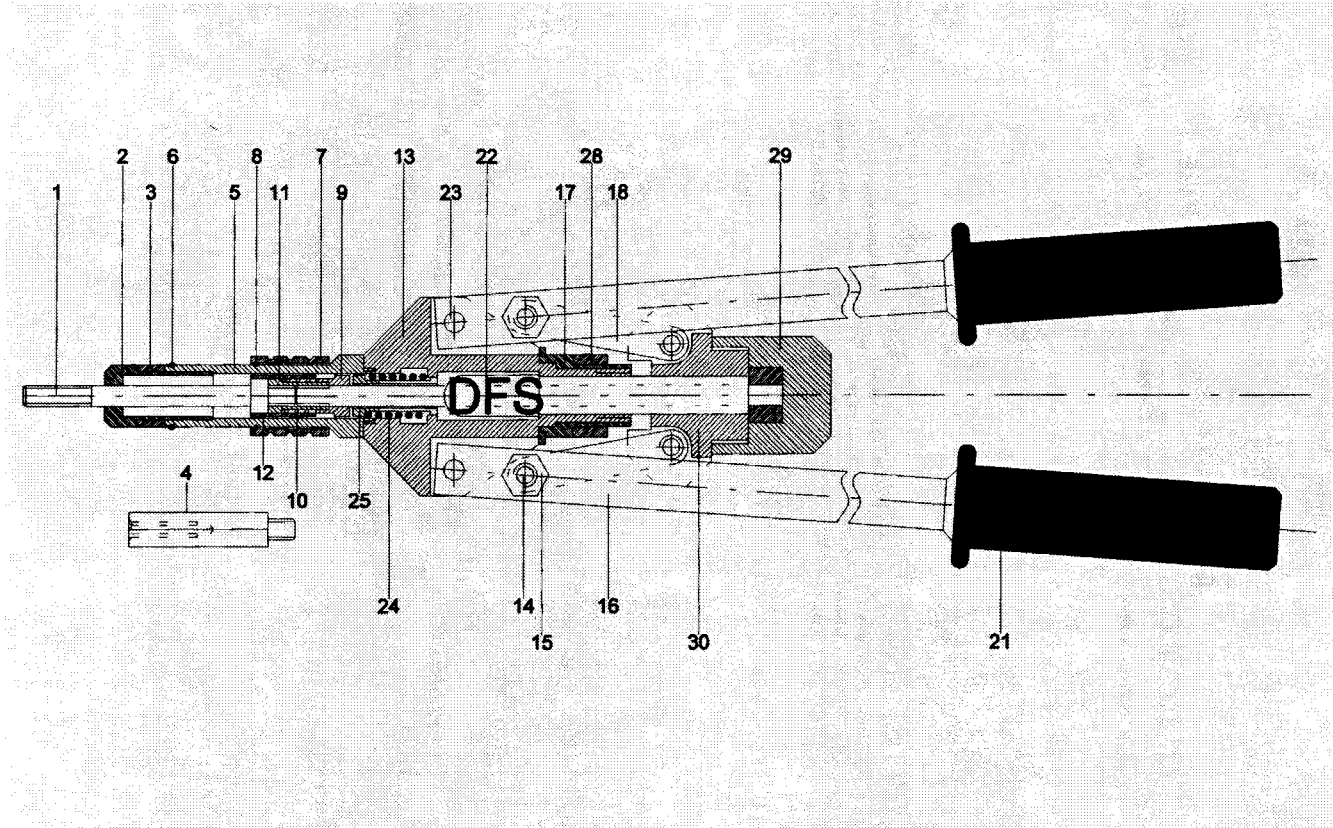
TUBTARA® PRODUCTS ARE AVAILABLE AT:

**MARYLAND  
METRICS**

P.O. Box 261  
phones: (410)358-3130  
faxes: (410)358-3142  
URL: <http://mdmetric.com>

Owings Mills, MD 21117 USA  
(800)638-1830  
(800)872-9329  
E-mail: [sales@mdmetric.com](mailto:sales@mdmetric.com)

Spare parts for  
**DFS 109 TM Hand tool for Blind Rivet Nuts**



**SPARE-PARTS**

N°	ORDER CODE	DESCRIPTION
1	609-9004	mandrel M4
	609-9005	mandrel M5
	609-9006	mandrel M6
	609-9008	mandrel M8
	609-9010	mandrel M10
2	609-9104	anvil M4
	609-9105	anvil M5
	609-9106	anvil M6
	609-9108	anvil M8
	609-9110	anvil M10
3	609-9501	contra nut
4	609-9205	puller M5
	609-9206	puller M6
	609-9208	puller M8
5	609-9504	nose piece
6	609-9514	circlip
7	609-9502	protection part
8	609-9515	O'Ring
9	609-9518	contra nut

N°	ORDER CODE	DESCRIPTION
10	609-9517	spring
11	609-9516	spring holder
12	609-9503	security part
13	609-9506	tool body A
14	609-9507	threaded bolt
15	609-9508	lock nut M8
16	609-9509	handle
17	609-9510	stroke adjuster
18	609-9511	link
21	609-9524	grip
22	609-9526	logo
23	609-9520	hinge bolt
24	609-9519	spring
25	609-9505	push-nut
28	609-9521	ring
29	609-9525	operating screw + winding nut
30	609-9527	tool body B